

DESKTOP AUDIO SYSTEM

TSX-130/TSX-120

SERVICE MANUAL

For U, T, K, G, L, V and J models

This service manual is for the TSX-130/TSX-120 (U, T, K, G, L, V and J models).

For service manual of the TSX-130/TSX-120 (A and B models), please refer to the following publication number:

TSX-130/TSX-120 (A and B models): 101135

TSX-130/TSX-120

IMPORTANT NOTICE

This manual has been provided for the use of authorized YAMAHA Retailers and their service personnel.

It has been assumed that basic service procedures inherent to the industry, and more specifically YAMAHA Products, are already known and understood by the users, and have therefore not been restated.

WARNING: Failure to follow appropriate service and safety procedures when servicing this product may result in personal injury, destruction of expensive components, and failure of the product to perform as specified. For these reasons, we advise all YAMAHA product owners that any service required should be performed by an authorized YAMAHA Retailer or the appointed service representative.

IMPORTANT: The presentation or sale of this manual to any individual or firm does not constitute authorization, certification or recognition of any applicable technical capabilities, or establish a principle-agent relationship of any form.

The data provided is believed to be accurate and applicable to the unit(s) indicated on the cover. The research, engineering, and service departments of YAMAHA are continually striving to improve YAMAHA products. Modifications are, therefore, inevitable and specifications are subject to change without notice or obligation to retrofit. Should any discrepancy appear to exist, please contact the distributor's Service Division.

WARNING: Static discharges can destroy expensive components. Discharge any static electricity your body may have accumulated by grounding yourself to the ground buss in the unit (heavy gauge black wires connect to this buss).

IMPORTANT: Turn the unit OFF during disassembly and part replacement. Recheck all work before you apply power to the unit.

CONTENTS

TO SERVICE PERSONNEL	2-4
PREVENTION OF ELECTROSTATIC DISCHARGE	5
FRONT PANELS	6-7
REAR PANELS	8-10
REMOTE CONTROL PANELS	11
SPECIFICATIONS / 参考仕様	12
INTERNAL VIEW	13
DISASSEMBLY PROCEDURES / 分解手順	14-17
UPDATING FIRMWARE / ファームウェアの書き込み	18-23
SELF-DIAGNOSTIC FUNCTION / ダイアグ (自己診断機能)	24-38

DISPLAY DATA	39-40
IC DATA	41-44
PIN CONNECTION DIAGRAMS	45-46
BLOCK DIAGRAM	47
PRINTED CIRCUIT BOARDS	48-57
SCHEMATIC DIAGRAMS	59-62
REPLACEMENT PARTS LIST	63-83
REMOTE CONTROL	84
ADJUSTING THE CLOCK / 時計を合わせる	85



このサービスマニュアルは、エコマーク認定の再生紙を使用しています。
This Service Manual uses recycled paper.

101124

Copyright © 2008 YAMAHA CORPORATION All rights reserved.
This manual is copyrighted by YAMAHA and may not be copied or
redistributed either in print or electronically without permission.



YAMAHA CORPORATION
P.O.Box 1, Hamamatsu, Japan
animate '08.12

■ TO SERVICE PERSONNEL

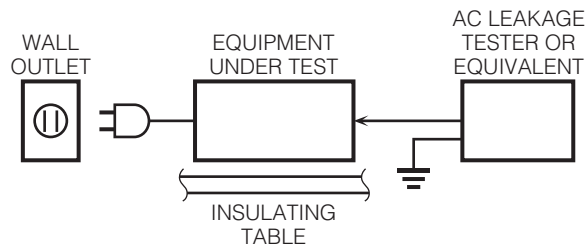
1. Critical Components Information

Components having special characteristics are marked Δ and must be replaced with parts having specifications equal to those originally installed.

2. Leakage Current Measurement (For 120V Models Only)

When service has been completed, it is imperative to verify that all exposed conductive surfaces are properly insulated from supply circuits.

- Meter impedance should be equivalent to 1500 ohms shunted by 0.15 μ F.



- Leakage current must not exceed 0.5mA.
- Be sure to test for leakage with the AC plug in both polarities.



For U model "CAUTION"

"F1: FOR CONTINUED PROTECTION AGAINST RISK OF FIRE, REPLACE ONLY WITH SAME TYPE 1A, 125V FUSE."

For C model CAUTION

F1: REPLACE WITH SAME TYPE 1A, 125V FUSE.

ATTENTION

F1: UTILISER UN FUSIBLE DE RECHANGE DE MÊME TYPE DE 1A, 125V.

WARNING: CHEMICAL CONTENT NOTICE!

This product contains chemicals known to the State of California to cause cancer, or birth defects or other reproductive harm.

DO NOT PLACE SOLDER, ELECTRICAL/ELECTRONIC OR PLASTIC COMPONENTS IN YOUR MOUTH FOR ANY REASON WHATSOEVER!

Avoid prolonged, unprotected contact between solder and your skin! When soldering, do not inhale solder fumes or expose eyes to solder/flux vapor!

If you come in contact with solder or components located inside the enclosure of this product, wash your hands before handling food.

About lead free solder / 無鉛ハンダについて

All of the P.C.B.s installed in this unit and solder joints are soldered using the lead free solder.

Among some types of lead free solder currently available, it is recommended to use one of the following types for the repair work.

- Sn + Ag + Cu (tin + silver + copper)
- Sn + Cu (tin + copper)
- Sn + Zn + Bi (tin + zinc + bismuth)

Caution:

As the melting point temperature of the lead free solder is about 30°C to 40°C (50°F to 70°F) higher than that of the lead solder, be sure to use a soldering iron suitable to each solder.

本機に搭載されているすべての基板およびハンダ付けによる接合部は無鉛ハンダでハンダ付けされています。

無鉛ハンダにはいくつかの種類がありますが、修理時には下記のような無鉛ハンダの使用を推奨します。

- Sn+Ag+Cu (錫 + 銀 + 銅)
- Sn+Cu (錫 + 銅)
- Sn+Zn+Bi (錫 + 亜鉛 + ビスマス)

注意：

無鉛ハンダの融点温度は通常の鉛入りハンダに比べ 30 ~ 40°C程度高くなっていますので、それぞれのハンダに合ったハンダごてをご使用ください。

WARNING: Lithium batteries

CAUTION

Danger of explosion if battery is incorrectly replaced.
Replace only with the same or equivalent type.

WARNING: Lithium batteries are dangerous because they can be exploded by improper handling. Observe the following precautions when handling or replacing lithium batteries.

- Leave lithium battery replacement to qualified service personnel.
- Always replace with batteries of the same type.
- When installing on the PC board by soldering, solder using the connection terminals provided on the battery cells. Never solder directly to the cells. Perform the soldering as quickly as possible.
- Never reverse the battery polarities when installing.
- Do not short the batteries.
- Do not attempt to recharge these batteries.
- Do not disassemble the batteries.
- Never heat batteries or throw them into fire.

注意

正しい電池と交換しないと爆発が起きるおそれがあります。
同一型名または同等品以外の電池とは絶対に交換しないようにしてください。

ADVARSEL!

Lithiumbatteri –Eksplodingsfare ved fejlagtig håndtering.
Udskiftning må kun ske med batteri af samme fabrikat og type. Levér det brugte batteri tilbage til leverandøren.

VARNING

Explosionsfara vid felaktigt batteribyte. Använd samma batterityp eller en ekvivalent typ som rekommenderas av apparattillverkaren. Kassera använt batteri enligt fabrikan- tens instruktion.

VAROITUS

Paristo voi räjähtää, jos se on virheellisesti asennettu.
Vaihda paristo ainoastaan laitevalmistajan suosittelemaan tyyppiin. Hävitä käytetty paristo valmistajan ohjeiden mu- kaisesti.

WARNING: Laser Safety

This product contains a laser beam component. This component may emit invisible, as well as visible radiation, which may cause eye damage. To protect your eyes and skin from laser radiation, the following precautions must be used during servicing of the unit.

- 1) When testing and/or repairing any component within the product, keep your eyes and skin more than 30 cm/1 feet away from the laser pick-up unit at all times. Do not stare at the laser beam at any time.
- 2) Do not attempt to readjust, disassemble or repair the laser pick-up, unless noted elsewhere in this manual.
- 3) CAUTION: Use of controls, adjustments or performance of procedures other than those specified herein may result in hazardous radiation exposure.

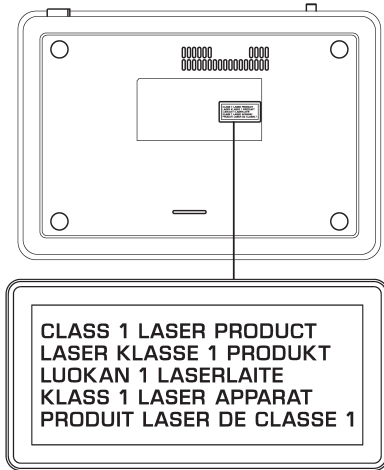
Laser Emitting conditions:

- 1) When the Top Cover is removed, and the STANDBY/ON SW is turned to the "ON" position, the laser component will emit a beam for several seconds to detect if a disc is present. During this time (5-10 sec.) the laser may radiate through the lens of the laser pick-up unit. Do not attempt any servicing during this period!
If no disc is detected, the laser will stop emitting the beam. When a disc is loaded, you will not be exposed to any laser emissions.
- 2) The laser power level can be adjusted with the VR on the pick-up PWB, however, this level has been set by the factory prior to shipping from the factory. Do not adjust this laser level control unless instruction is provided elsewhere in this manual. Adjustment of this control can increase the laser emission level from the device.

Laser Diode Properties

Type: Semiconductor laser GaAs/GaAlAs
 Wave length: 780 nm

Output Power: 10 mW
 Beam divergence: 60 degrees



CAUTION

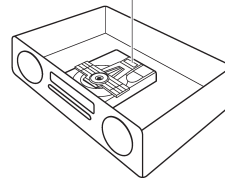
Use of controls or adjustments or performance of procedures other than those specified herein may result in hazardous radiation exposure.

AVERTISSEMENT

L'utilisation de commandes et l'emploi de réglages ou de méthodes autres que ceux décrits ci-dessous, peuvent entraîner une exposition à un rayonnement dangereux.

CAUTION INVISIBLE LASER RADIATION WHEN OPEN AND INTERLOCKS DEFEATED. AVOID EXPOSURE TO BEAM.

DANGER: AVOID DIRECT EXPOSURE TO THE BEAM
 INVISIBLE LASER RADIATION WHEN OPEN
CAUTION: DO NOT STARE INTO BEAM
 INVISIBLE LASER RADIATION WHEN OPEN



Warning for power supply

The primary side of the power supply carries live mains voltage when the player is connected to the mains even when the player is switched off !

This primary area is not shielded so it is possible to accidentally touch copper tracks and/or components when servicing the player.

Service personnel have to take precautions to prevent touching this area or components in this area.

Note:

The screws on the DVD mechanism may never be touched, removed or re-adjusted.

Handle the DVD mechanism with care when the unit has to be exchanged!

The DVD mechanism is very sensitive for dropping or giving shocks.

■ PREVENTION OF ELECTROSTATIC DISCHARGE

Some semiconductor (solid state) devices can be damaged easily by static electricity. Such components commonly are called Electrostatically Sensitive (ES) Devices. Examples of typical ES devices are integrated circuits and some field-effect transistors and semiconductor “chip” components. The following techniques should be used to help reduce the incidence of component damage caused by electro static discharge (ESD).

1. Immediately before handling any semiconductor component or semiconductor-equipped assembly, drain off any ESD on your body by touching a known earth ground. Alternatively, obtain and wear a commercially available discharging ESD wrist strap, which should be removed for potential shock reasons prior to applying power to the unit under test.
2. After removing an electrical assembly equipped with ES devices, place the assembly on a conductive surface such as aluminum foil, to prevent electrostatic charge buildup or exposure of the assembly.
3. Use only a grounded-tip soldering iron to solder or unsolder ES devices.
4. Use only an anti-static solder removal device. Some solder removal devices not classified as “anti-static (ESD protected)” can generate electrical charge sufficient to damage ES devices.
5. Do not use freon-propelled chemicals. These can generate electrical charges sufficient to damage ES devices.
6. Do not remove a replacement ES device from its protective package until immediately before you are ready to install it. (Most replacement ES devices are packaged with leads electrically shorted together by conductive foam, aluminum foil or comparable conductive material).
7. Immediately before removing the protective material from the leads of a replacement ES device, touch the protective material to the chassis or circuit assembly into which the device will be installed.

CAUTION: Be sure no power is applied to the chassis or circuit, and observe all other safety precautions.

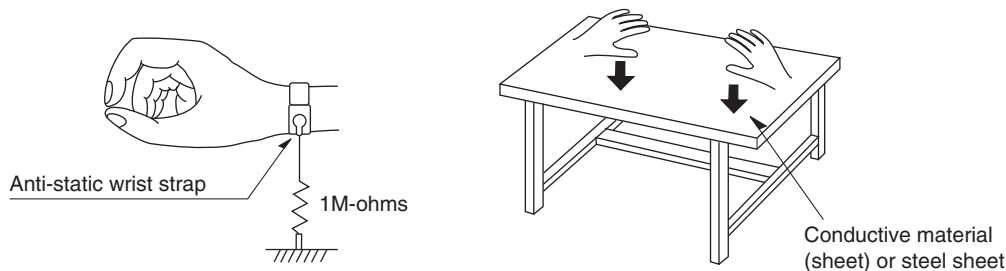
8. Minimize bodily motions when handling unpackaged replacement ES devices. (Otherwise harmless motion such as brushing together of your fabric clothes or lifting of your foot from a carpeted floor can generate static electricity (ESD) sufficient to damage an ES device).

Grounding for electrostatic breakdown prevention

1. Human body grounding.
Use the antistatic wrist strap to discharge the static electricity from your body.
2. Work table grounding.
Put a conductive material (sheet) or steel sheet on the area where the optical pickup is placed and ground the sheet.

Caution:

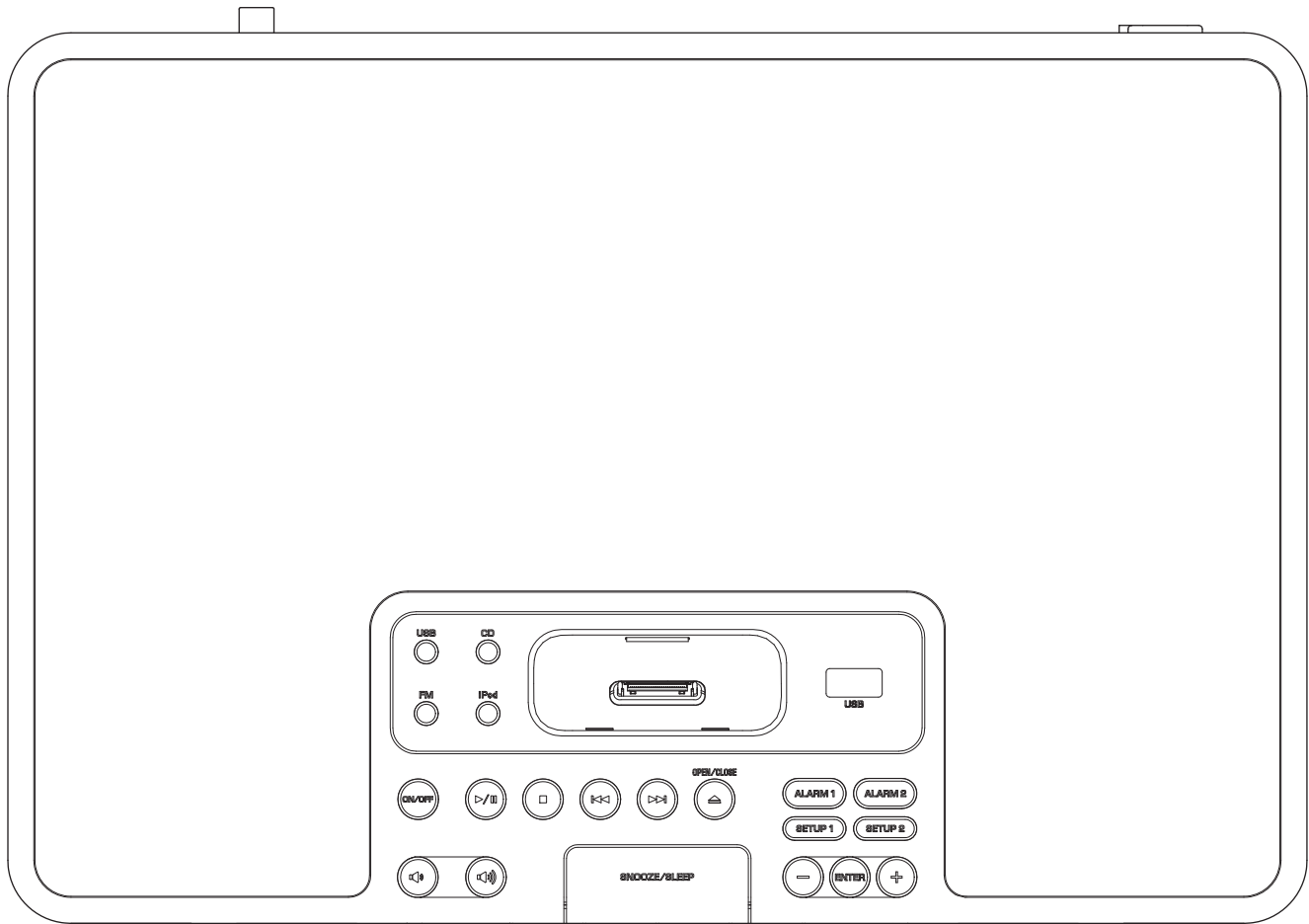
The static electricity of your clothes will not be grounded through the wrist strap. So take care not to let your clothes touch the optical pickup.



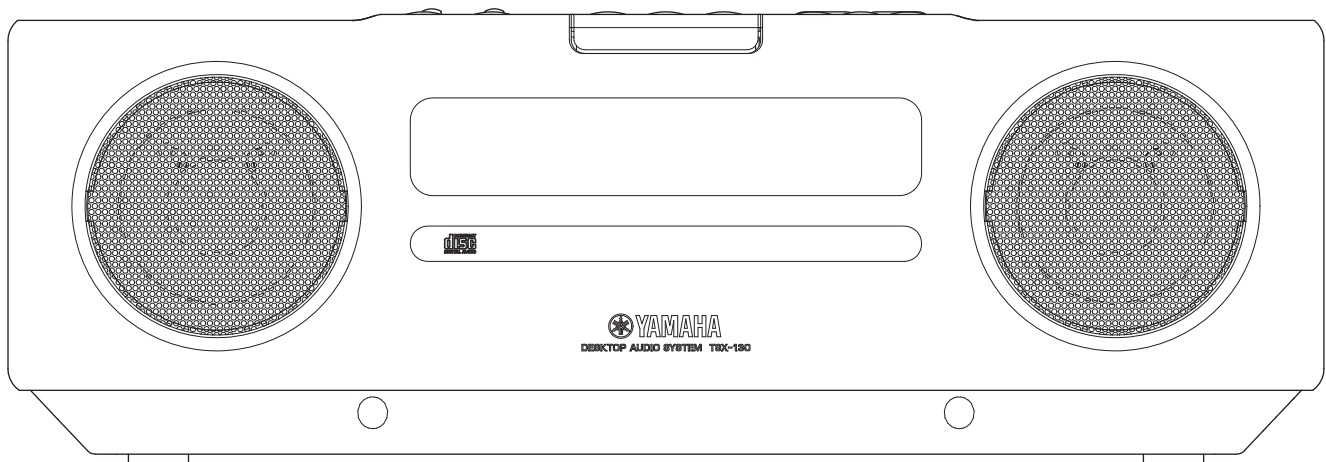
FRONT PANELS

TSX-130

Top view

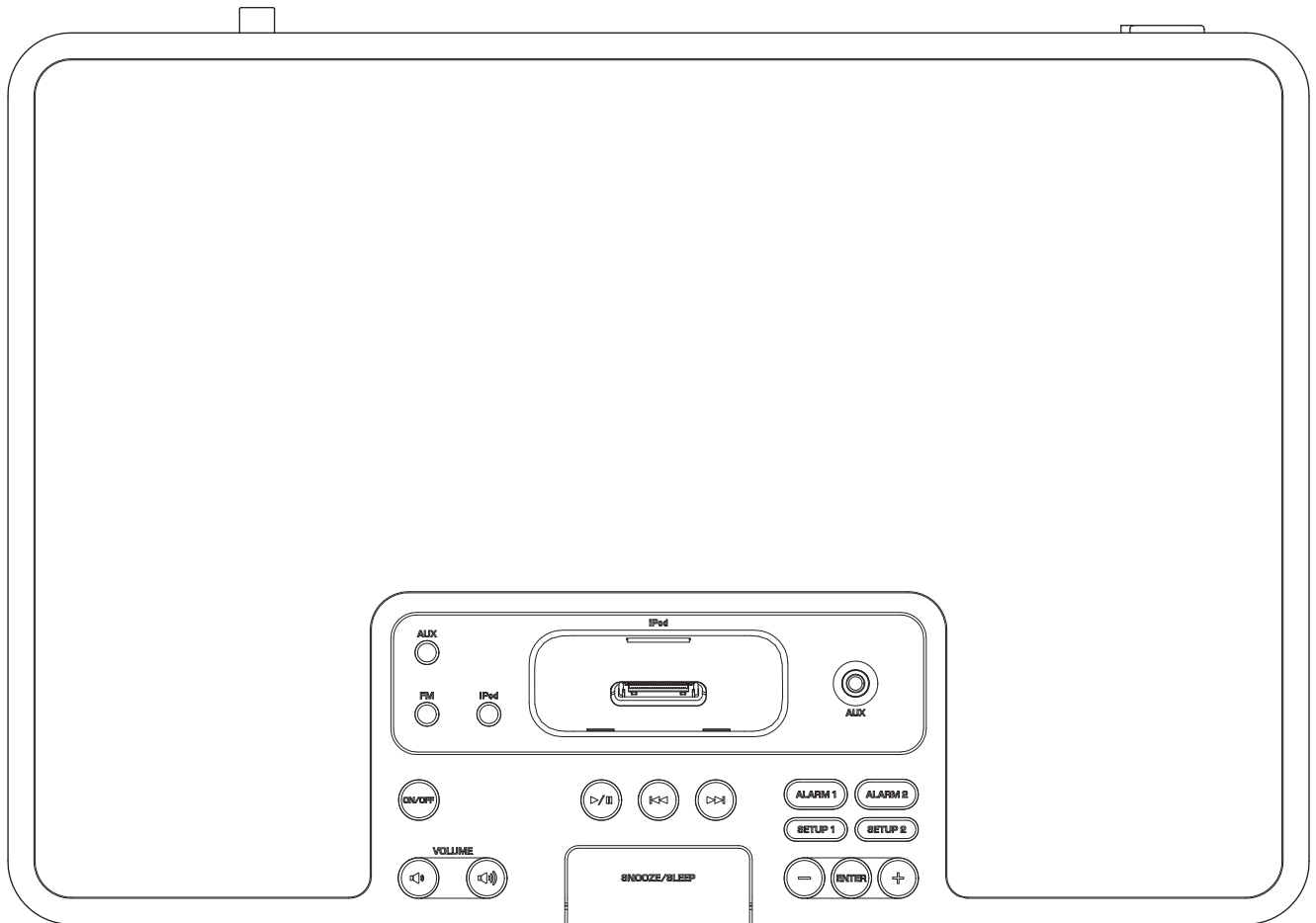


Front view

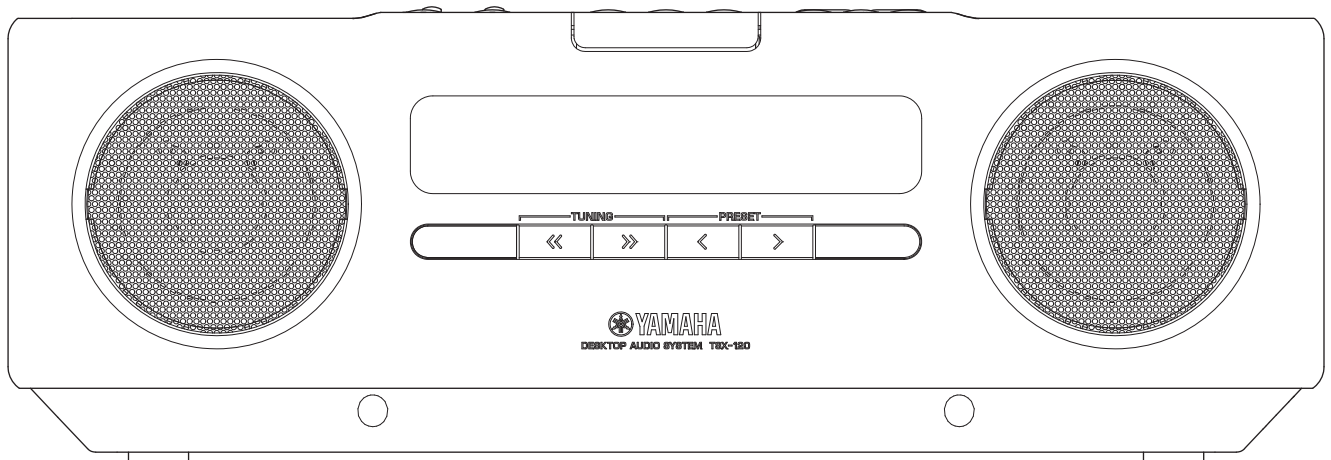


TSX-120

Top view



Front view



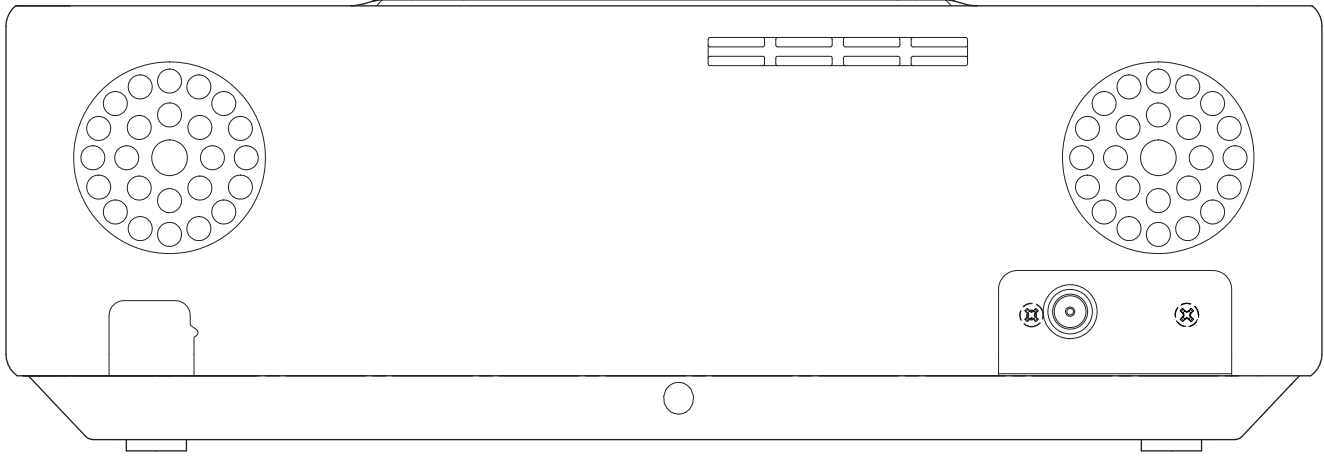
TSX-130/TSX-120

REAR PANELS

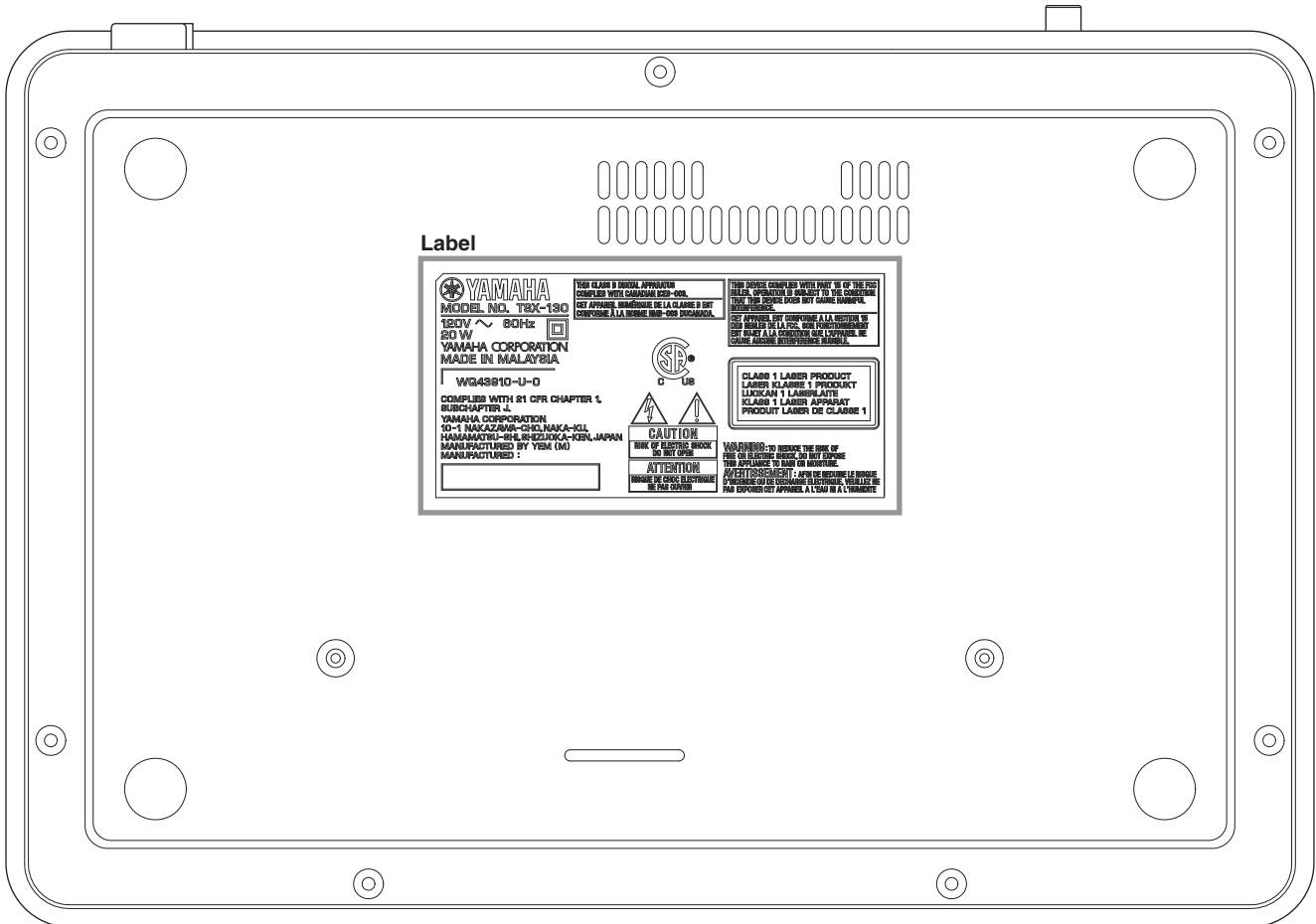
TSX-130

TSX-120

Rear view



Bottom view



TSX-130/TSX-120

Labels

TSX-130

U model

YAMAHA
MODEL NO. TSX-130
120V ~ 60Hz
20 W
YAMAHA CORPORATION
MADE IN MALAYSIA

WG43810-U-0

COMPLIES WITH 21 CFR CHAPTER 1, SUBCHAPTER J.
YAMAHA CORPORATION
10-1 NAKAZAWA-CHO, NAKA-KU,
HAMAMATSU-SHI, SHIZUOKA-KEN, JAPAN
MANUFACTURED BY YEM (M)
MANUFACTURED :

THIS CLASS B CONTROL APPARATUS COMPLEYS WITH CANADIAN DES-008.
CET APPAREL NUMÉRIQUE DE LA CLASSE B EST CONFORME À LA NORME RNB-008 DUCARADA.

THIS DEVICE COMPLEYS WITH PART 15 OF THE FCC RULES. OPERATION IS SUBJECT TO THE CONDITION THAT THIS DEVICE DOES NOT CAUSE HARMFUL INTERFERENCE.
CET APPAREL EST CONFORME À LA SECTION 15 DES RÈGLES DE LA FCC. SON FONCTIONNEMENT EST SUJET À LA CONDITION QUE L'APPAREL NE CAUSE AUCUNE INTERFÉRENCE NUISIBLE.

CLASS 1 LASER PRODUCT
LASER KLASSE 1 PRODUKT
LUOKAN 1 LASERLAITE
KLASS 1 LASER APPARAT
PRODUIT LASER DE CLASSE 1

CAUTION
RISK OF ELECTRIC SHOCK
DO NOT OPEN

ATTENTION
RISQUE DE CHOC ELECTRIQUE
NE PAS OUVRI

WARNING: TO REDUCE THE RISK OF FIRE OR ELECTRIC SHOCK, DO NOT EXPOSE THIS APPLIANCE TO RAIN OR MOISTURE.
AVERTISSEMENT: AFIN DE REDUIRE LE RISQUE D'INCENDIE OU DE DECHARGE ELECTRIQUE, VEUILLEZ NE PAS EXPOSER CET APPAREL A L'EAU NI A L'HUMIDITE

L model

YAMAHA
MODEL NO. TSX-130
220-240 V ~
20 W 50/60Hz
YAMAHA CORPORATION

WG43850-L-0

CLASS 1 LASER PRODUCT
LASER KLASSE 1 PRODUKT
LUOKAN 1 LASERLAITE
KLASS 1 LASER APPARAT
PRODUIT LASER DE CLASSE 1
1 类激光产品

T model

YAMAHA 马来西亚 制造
CD收音扩音机
型号 TSX-130
电源 220V ~ 50Hz
功率 20W
产品技术标准 : GB9898-2001

WG43820-T-1

CLASS 1 LASER PRODUCT
LASER KLASSE 1 PRODUKT
LUOKAN 1 LASERLAITE
KLASS 1 LASER APPARAT
PRODUIT LASER DE CLASSE 1
1 类激光产品

警告: 电击危险, 请勿拆开。

R31433

V model

YAMAHA
MODEL NO. TSX-130
110-120V ~
20 W 60Hz
YAMAHA CORPORATION
MADE IN MALAYSIA

WG43880-V-1

產品名稱 收音擴大機
型號 TSX-130
電壓 110-120V ~
頻率 60 Hz
消耗功率 20 W
進口商 功學社音響股份有限公司
地址 台北縣蘆洲市中山二路
162號7樓
馬來西亞

CLASS 1 LASER PRODUCT
LASER KLASSE 1 PRODUKT
LUOKAN 1 LASERLAITE
KLASS 1 LASER APPARAT
PRODUIT LASER DE CLASSE 1
1 类激光产品

K model

전기용품안전인증표시사항
YAMAHA 모델명 TSX-130
제품명 :리시버
정격전압:AC 220V ~ 60 Hz
소비전력:20 W
제조사 :YAMAHA ELECTRONICS
MANUFACTURING (M) SON. BHD.
A/S :080-004-0022
MADE IN MALAYSIA

WG43830-K-0

CLASS 1 LASER PRODUCT
LASER KLASSE 1 PRODUKT
LUOKAN 1 LASERLAITE
KLASS 1 LASER APPARAT
PRODUIT LASER DE CLASSE 1
1 类激光产品

J model

YAMAHA
MODEL NO. TSX-130
YAMAHA CORPORATION
20 W 100V ~ 50/60Hz
ヤマハ株式会社
MADE IN MALAYSIA

WG43800-J-0

CLASS 1 LASER PRODUCT
LASER KLASSE 1 PRODUKT
LUOKAN 1 LASERLAITE
KLASS 1 LASER APPARAT
PRODUIT LASER DE CLASSE 1
1 类激光产品

G model

YAMAHA
MODEL NO. TSX-130
230V ~ 50Hz
20 W
YAMAHA CORPORATION
MADE IN MALAYSIA

WG43840-G-0

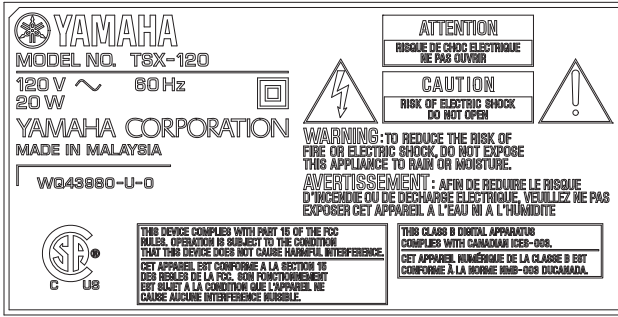
CLASS 1 LASER PRODUCT
LASER KLASSE 1 PRODUKT
LUOKAN 1 LASERLAITE
KLASS 1 LASER APPARAT
PRODUIT LASER DE CLASSE 1

CE S EMC M E10

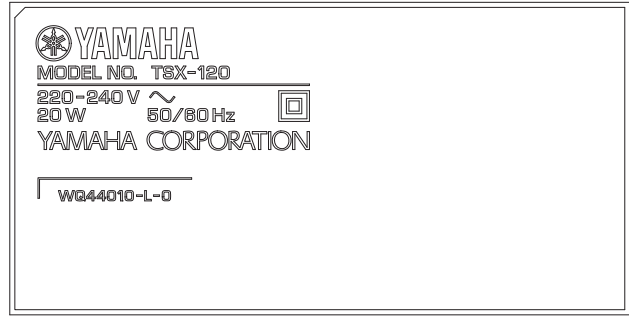
TSX-130/TSX-120

TSX-120

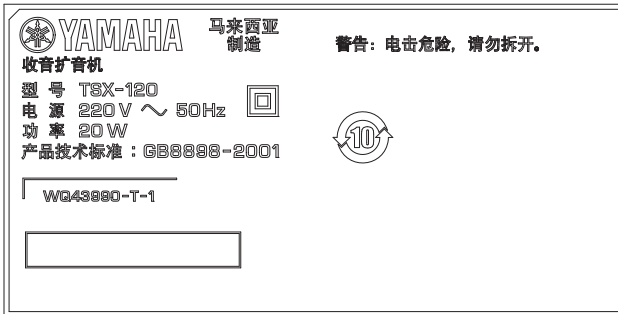
U model



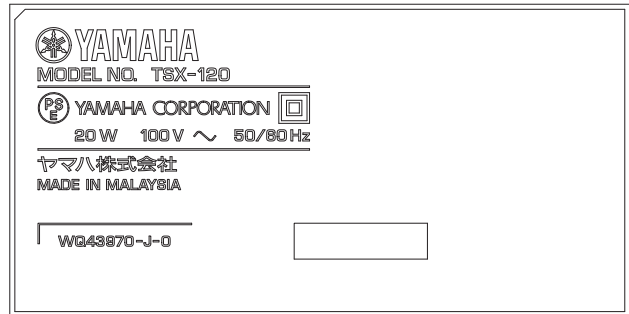
L model



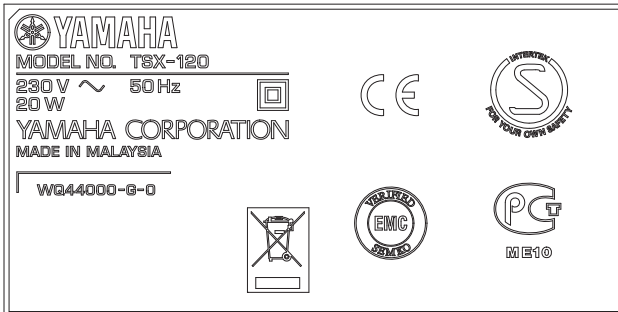
T model



J model



G model

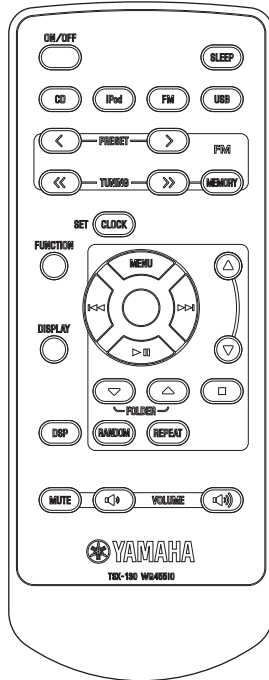


TSX-130/TSX-120

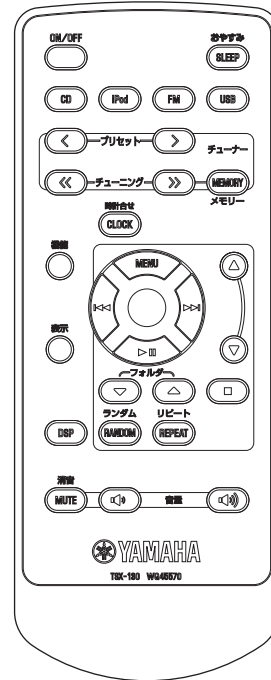
REMOTE CONTROL PANELS

TSX-130

U, T, K, G, L, V models

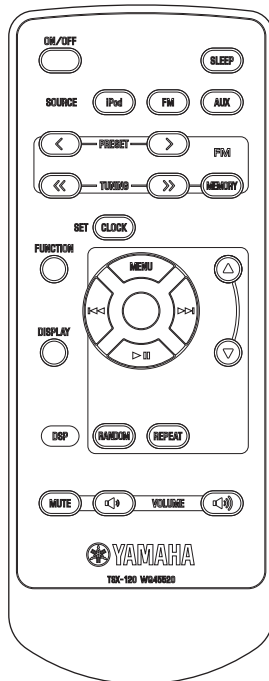


J model

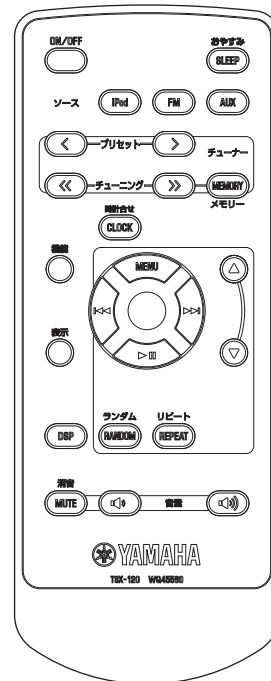


TSX-120

U, T, G, L models



J model



TSX-130/TSX-120

■ SPECIFICATIONS / 参考仕様

■ Player Section / プレーヤー部

iPod: Supported iPod / 対応 iPod iPod touch
iPod (Click Wheel including iPod classic)
iPod nano, iPod mini

TSX-130

CD: Media / 再生メディア CD, CD-R/RW

Audio format / オーディオフォーマット
..... Audio CD, MP3, WMA

USB: Audio format / オーディオフォーマット
..... MP3, WMA

TSX-120

AUX IN: Input connector / 入力端子
STEREO L/R 3.5 ϕ STEREO mini jack

Maximum Input Signal / 最大許容入力
Analog input 2.0 V

■ Amplifier / Speaker Section / アンプ / スピーカー部

Minimum RMS output power per channel / 定格出力 (EIAJ)
(6 ohms, 1 kHz, 10 % THD) 15 W + 15 W

Driver 8 cm (3-3/16") full-range x 2

Frequency Response / 再生周波数帯域 60 Hz to 20 kHz

■ FM Section / FM 部

Preset Memory / プリセットメモリー 30 stations

Tuning Range / 受信周波数範囲
U model 87.5 to 107.9 MHz
T, K, G, L, V models 87.5 to 108.0 MHz
J model 76.0 to 90.0 MHz

■ Others / その他

Alarm: Alarm Function / アラーム機能 Dual Alarm, Snooze
Alarm Mode / アラームモード
..... Beep, Music, Beep + Music
(Music: iPod, FM, CD, USB)

DSP: DSP Mode / DSP モード Normal, Mild, Heavy, Live

■ General / 総合

Power Supply / 電源電圧
U model AC 120 V, 60 Hz
T model AC 220 V, 50 Hz
K model AC 220 V, 60 Hz
G model AC 230 V, 50 Hz
L model AC 220-240 V, 50/60Hz
V model AC 110-120 V, 60 Hz
J model AC 100 V, 50/60 Hz

Power Consumption / 消費電力 20 W

Standby Power Consumption (reference data) / 待機時消費電力 (参考値)
..... 1.0 W or less (Standby)

Dimensions (W x H x D) / 寸法 (幅 × 高さ × 奥行き)
..... 350 x 120 x 240 mm (13-3/4" x 4-3/4" x 9-7/16")

Weight / 質量

TSX-130
..... 4.0 kg (8 lbs. 13 oz.)

TSX-120
..... 3.7 kg (8 lbs. 3 oz.)

Finish / 仕上げ

TSX-130
Black color U, T, K, G, L, V, J models
White color U, T, K, G, L, V, J models

TSX-120
Black color U, T, G, L, J models
White color U, T, G, L, J models

Accessories / 付属品

Remote control x 1
Lithium battery (CR2025) x 1
Indoor FM antenna (1.4 m) x 1

* Specifications are subject to change without notice due to product improvements.

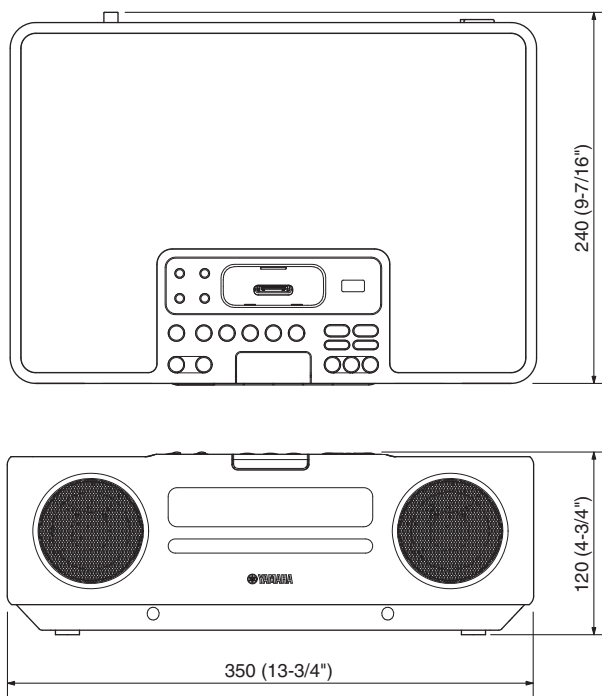
※ 参考仕様および外観は予告なく変更されることがあります。

U.....U.S.A. model L.....Singapore model
T.....Chinese model V.....Taiwan model
K.....Korean model J.....Japanese model
G.....European model

iPod™

"iPod" is a trademark of Apple, Inc., registered in the U.S. and other countries. iPod は、米国およびその他の国々で登録された Apple Computer, Inc. の商標または登録商標です。

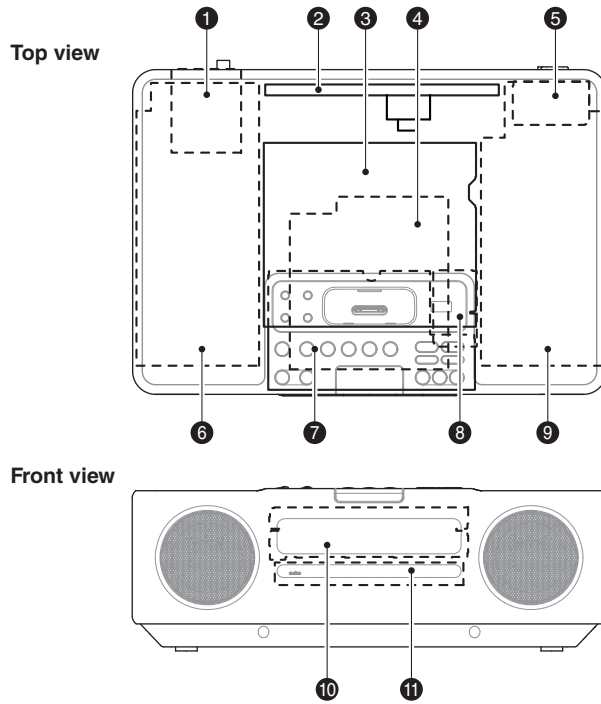
• DIMENSIONS / 寸法図



Unit: mm (inch)
単位:mm (インチ)

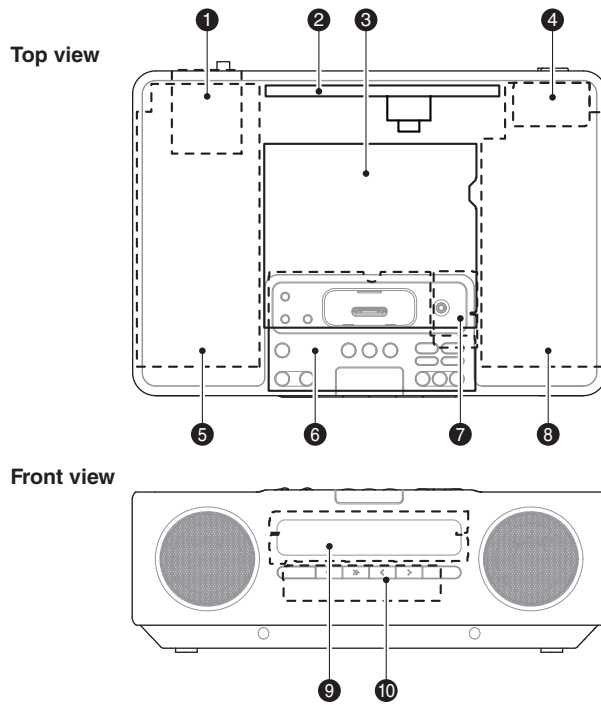
INTERNAL VIEW

TSX-130



- ① FM Tuner
- ② POWER (1) P.C.B.
- ③ MAIN P.C.B.
- ④ CD P.C.B.
- ⑤ POWER (7) P.C.B.
- ⑥ Speaker Box Ass'y L
- ⑦ POWER (2) P.C.B.
- ⑧ POWER (4) P.C.B.
- ⑨ Speaker Box Ass'y R
- ⑩ POWER (3) P.C.B.
- ⑪ Loader Mechanism Unit

TSX-120



- ① FM Tuner
- ② POWER (1) P.C.B.
- ③ MAIN P.C.B.
- ④ POWER (7) P.C.B.
- ⑤ Speaker Box Ass'y L
- ⑥ POWER (2) P.C.B.
- ⑦ POWER (5) P.C.B.
- ⑧ Speaker Box Ass'y R
- ⑨ POWER (3) P.C.B.
- ⑩ POWER (6) P.C.B.

■ DISASSEMBLY PROCEDURES / 分解手順

Disassembly procedure of TSX-130 is described to represent similar models.

代表で、TSX-130 の分解手順を記載します。

● How to manually eject the disc tray

- Using an Allen hex socket screwdriver (2.5 mm), move the slider in the direction indicated in the figure below until the disc tray comes out. (Fig. 1)
- Gently pull the disc tray comes out.

● 手動でディスクトレイを開く方法

- 六角穴ネジ用ドライバー（2.5 mm）で、スライダを図に示す矢印の方向に、ディスクトレイが出てくるまで、動かします。（Fig. 1）
- ディスクトレイをそっと引き出します。

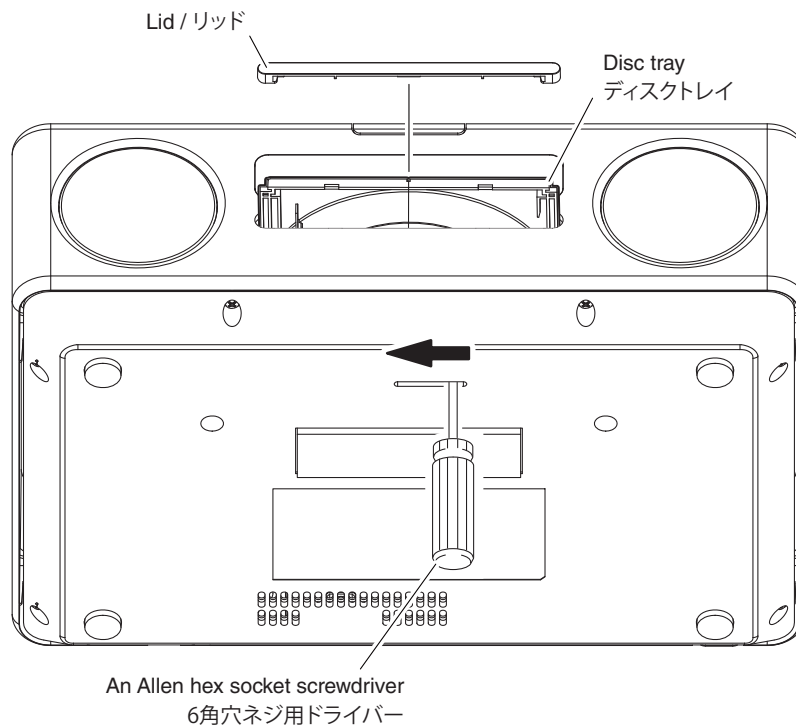


Fig. 1

1. Removal of Top Panel Ass'y

- Open the disc tray, remove the lid and close the disc tray. (Fig. 1)
- Remove 4 screws (①) and 3 screws (②). (Fig. 2)
- Pull up the top panel ass'y gradually. (Fig. 2)
- Remove CB205 and CB207. (Fig. 2)
- Remove the top panel ass'y. (Fig. 2)

2. Removal of Driver L and Driver R

Since the same procedure is used to remove speaker unit L and speaker unit R, removal of speaker unit L is described here to represent both units.

- Remove screw (③). (Fig. 2)
- Remove CB211. (Fig. 2)
- Remove the speaker box L ass'y. (Fig. 2)
- Remove 4 screws (④). (Fig. 2)
- Remove the driver L. (Fig. 2)

1. トップパネル ASSY の外し方

- ディスクトレイを開き、リッドを外し、ディスクトレイを閉じます。(Fig. 1)
- ①のネジ4本、②のネジ3本を外します。(Fig. 2)
- トップパネルASSYをゆっくり持ち上げます。(Fig. 2)
- CB205、CB207を外します。(Fig. 2)
- トップパネルASSYを取り外します。(Fig. 2)

2. スピーカーユニットL、スピーカーユニットRの外し方

スピーカーユニットLとスピーカーユニットRの外し方は同じなので、ここでは、両ユニットを代表してスピーカーユニットLの外し方を記述します。

- ③のネジ1本を外します。(Fig. 2)
- CB211を外します。(Fig. 2)
- SPボックスL ASSYを取り外します。(Fig. 2)
- ④のネジ4本を外します。(Fig. 2)
- スピーカーユニットLを取り外します。(Fig. 2)

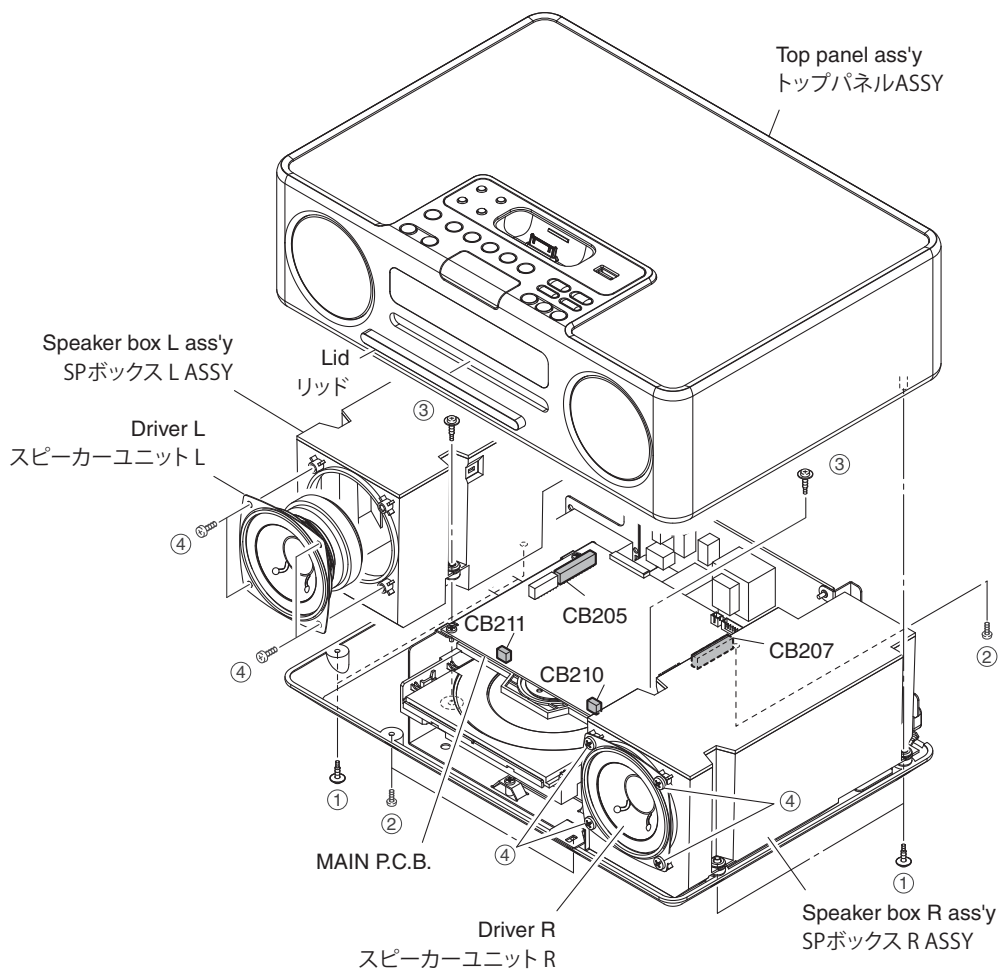


Fig. 2

3. Removal of MAIN P.C.B.

- a. Remove 4 screws (⑤). (Fig. 3)
- b. Remove CB201, CB204, CB208, CB209, CB214 and CB215. (Fig. 3)
- c. Remove the MAIN P.C.B.. (Fig. 3)

4. Removal of Loader Mechanism Unit

- a. Remove 4 screws (⑥). (Fig. 3)
- b. Pull up the loader mechanism unit gradually. (Fig. 3)
- c. Remove CB602 and connector W601. (Fig. 3)
- d. Unlock and remove CB604, and ground the terminal side of the flexible flat cable with a clip or the like. (Fig. 3)
- e. Remove the loader mechanism unit. (Fig. 3)

5. Removal of CD P.C.B.

- a. Remove 4 screws (⑦). (Fig. 3)
- b. Remove CB610. (Fig. 3)
- c. Remove the CD P.C.B.. (Fig. 3)

6. Removal of POWER (1) P.C.B.

- a. Remove 4 screws (⑧). (Fig. 3)
- b. Remove CB1. (Fig. 3)
- c. Remove the POWER (1) P.C.B.. (Fig. 3)

7. Removal of FM Tuner

- a. Remove 2 screws (⑨). (Fig. 3)
- b. Remove the FM tuner. (Fig. 3)

3. MAIN P.C.B. の外し方

- a. ⑤のネジ 4 本を外します。(Fig.3)
- b. CB201、CB204、CB208、CB209、CB214、CB215 を外します。(Fig. 3)
- c. MAIN P.C.B. を取り外します。(Fig. 3)

4. ローダーメカユニットの外し方

- a. ⑥のネジ 4 本を外します。(Fig. 3)
- b. ローダーメカユニットをゆっくり持ち上げます。(Fig. 3)
- c. CB602、コネクタ W601 を外します。(Fig. 3)
- d. ロックを解除して CB604 を外し、カード電線の端子面をクリップ等でアースします。(Fig. 3)
- e. ローダーメカユニットを取り外します。(Fig. 3)

5. CD P.C.B. の外し方

- a. ⑦のネジ 4 本を外します。(Fig. 3)
- b. CB610 を外します。(Fig. 3)
- c. CD P.C.B. を取り外します。(Fig. 3)

6. POWER (1) P.C.B. の外し方

- a. ⑧のネジ 4 本を外します。(Fig. 3)
- b. CB1 を外します。(Fig. 3)
- c. POWER (1) P.C.B. を取り外します。(Fig. 3)

7. FM チューナーの外し方

- a. ⑨のネジ 2 本を外します。(Fig. 3)
- b. FM チューナーを取り外します。(Fig. 3)

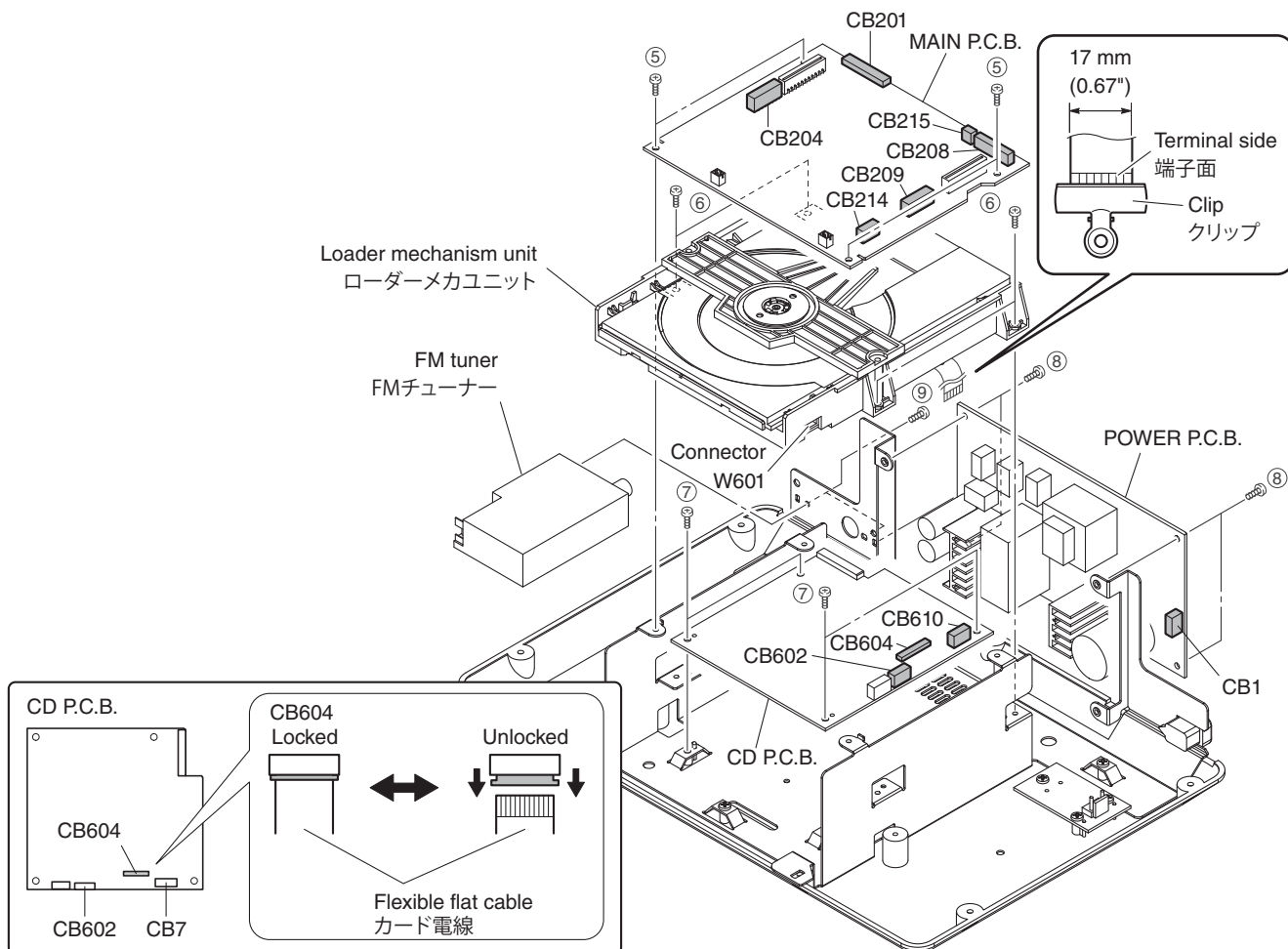


Fig. 3

When checking the P.C.B.s:

- Spread the rubber sheet and cloth. Then, place this unit on them as shown below and check it. (Fig. 4)
- Reconnect all cables (connectors) that have been disconnected. Be sure to use the extension cable for servicing for the following section.

MF120350 (20P, 350mm):
CB207 of MAIN P.C.B. to CB756 of POWER (2) P.C.B.

MF121350 (21P, 350mm):
CB205 of MAIN P.C.B. to CB754 of POWER (2) P.C.B.

- When connecting the flexible flat cable, be careful with polarity.

P.C.B. をチェックする場合には：

- ゴムシートと布を敷き、本機を下図のように置いてチェックします。(Fig. 4)
- 外したケーブル（コネクタ）をすべて接続します。ただし次の区間は、サービス用延長ケーブルを使用してください。

MF120350 (20P, 350mm) :
MAIN P.C.B. の CB207 ~ POWER (2) P.C.B. の CB756

MF121350 (21P, 350mm) :
MAIN P.C.B. の CB205 ~ POWER (2) P.C.B. の CB754

- フラットケーブルを接続する際、極性に注意してください。

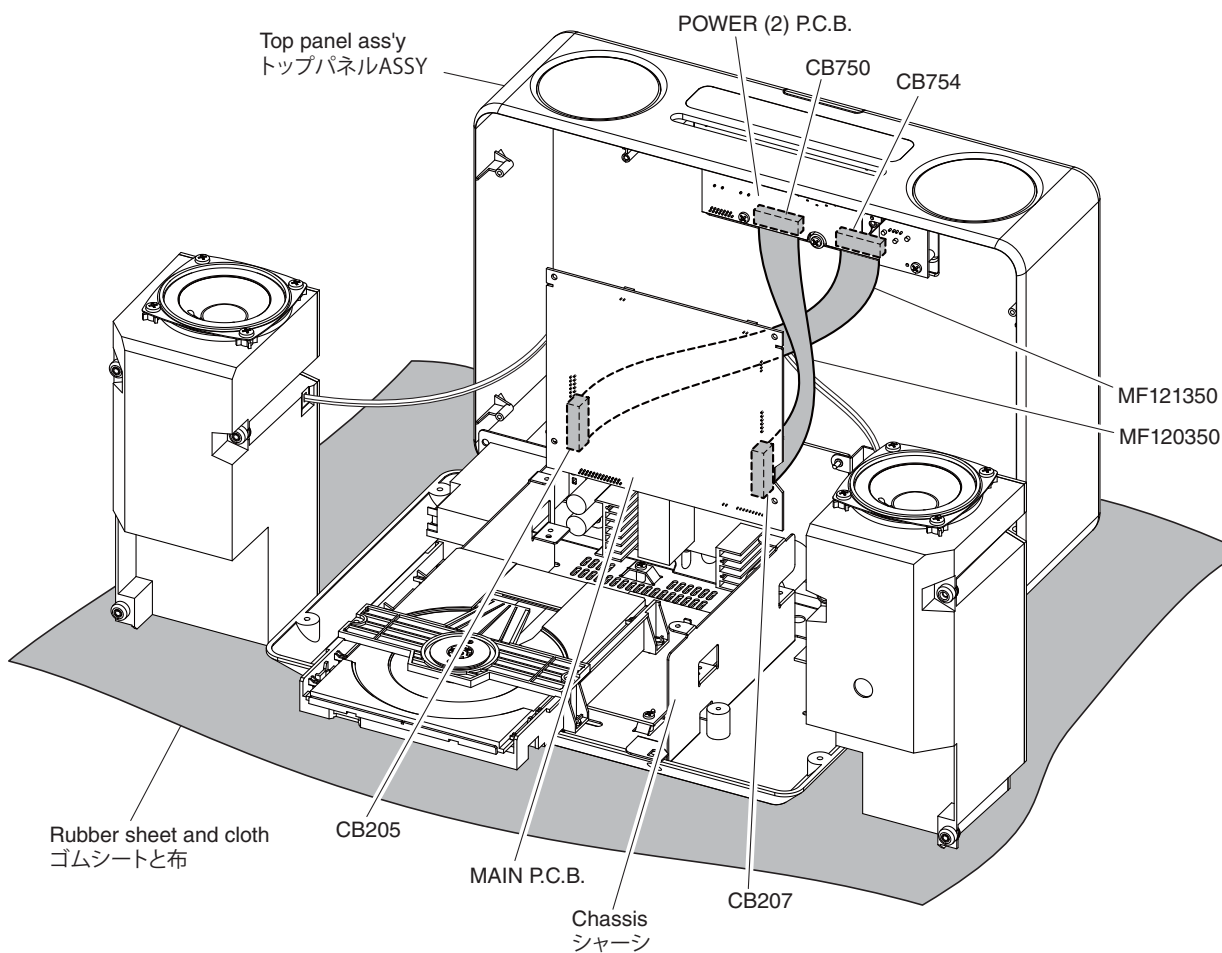


Fig. 4

■ UPDATING FIRMWARE / ファームウェアの書き込み

After replacing the following parts with the replacement parts, update the latest firmware according to the following procedure.

MAIN P.C.B.
Microprocessor (IC201) of MAIN P.C.B.

下記の部品をサービス部品に交換した場合、下記の手順により最新のファームウェアの書き込みを行ってください。

MAIN P.C.B.
Microprocessor (IC201) of MAIN P.C.B.

● Required tools

- Program downloader program
..... FlashSta.exe
- Firmware
..... tsx_xxxx.mot
..... tsx_xxxx.id
- RS232C cross cable "D-sub 9 pin female"
(Specifications)

Pin No.2 RxD	—————	Pin No.2 RxD
Pin No.3 TxD	—————	Pin No.3 TxD
Pin No.5 GND	—————	Pin No.5 GND
Pin No.7 RTS	—————	Pin No.7 RTS
Pin No.8 CTS	—————	Pin No.8 CTS
- RS232C conversion adaptor (Part No.: WR492800)

● Preparation and precautions before starting the operation

- Download firmware downloader program and firmware from the specified source to the same folder of the PC.
- Prepare the above specified RS232C cross cable.
- While writing, keep the other application software on the PC closed.
It is also recommended to keep the software on the task tray closed as well.

● Confirmation of firmware version and checksum

Before and after updating the firmware, check the firmware version and checksum by using the self-diagnostic function menu.

Start up the self-diagnostic function of this unit and select the "1. ROM VER/SUM" menu. (See "SELF-DIAGNOSTIC FUNCTION")

Have the firmware version and checksum displayed by using sub-menu, and note down them.

● 必要なツール

- プログラム書き込み用プログラム
..... FlashSta.exe
- ファームウェア
..... tsx_xxxx.mot
..... tsx_xxxx.id
- RS232C クロスケーブル "D-sub 9pin メス"
(仕様)

Pin No.2 RxD	—————	Pin No.2 RxD
Pin No.3 TxD	—————	Pin No.3 TxD
Pin No.5 GND	—————	Pin No.5 GND
Pin No.7 RTS	—————	Pin No.7 RTS
Pin No.8 CTS	—————	Pin No.8 CTS
- RS232C 変換アダプター (部品番号: WR492800)

● 操作前の準備と注意

- PC へ指定のダウンロード先からファームウェアアップグレードプログラムおよび、ファームウェアを同じフォルダにダウンロードしてください。
- RS232C クロスケーブルは必ず上記仕様のものを用意してください。
- 書き込み時は、PC 上の他のアプリケーションソフトは閉じてください。
さらに、タスクトレイ上にあるソフトも閉じておくことを推奨します。

● ファームウェアのバージョンおよびチェックサムの確認

ファームウェア更新の前後に、ファームウェアのバージョンとチェックサムをダイアグで確認します。

本機のダイアグを起動し、「1. ROM VER/SUM」メニューを選択します。(「ダイアグ (自己診断機能)」参照)

サブメニューでファームウェアのバージョンとチェックサムを表示し、それらを書きとめます。

1-1 VER:D047

1-1 Firmware version

1-2 SUM:5404

1-2 Checksum

● Connection

1. Remove the top panel ass'y and then remove CB205 and CB207.
(See "DISASSEMBLY PROCEDURES".)
* The firmware can be written even when CB205 and CB207 are removed.
2. Set the switch (SW301) of RS232C conversion adaptor to the "FLASH UCOM" position. (Fig. 1)
3. Connect the writing port (CB212 of MAIN P.C.B.) of this unit to the serial port (RS232C) of the PC with RS232C cross cable, RS232C conversion adaptor and flexible flat cable as shown below. (Fig. 1)

● 接続

1. トップパネル ASSY を外し、CB205、CB207 を外します。
(「分解手順」を参照してください。)
※ CB205、CB207 を外した状態でも、ファームウェアの書き込みはできます。
2. RS232C 変換アダプターのスイッチ (SW301) "FLASH UCOM" 側に設定します。(Fig. 1)
3. 本機の書き込み用ポート (MAIN P.C.B. の CB212) と PC のシリアルポート (RS232C) を下記のように接続します。(Fig. 1)

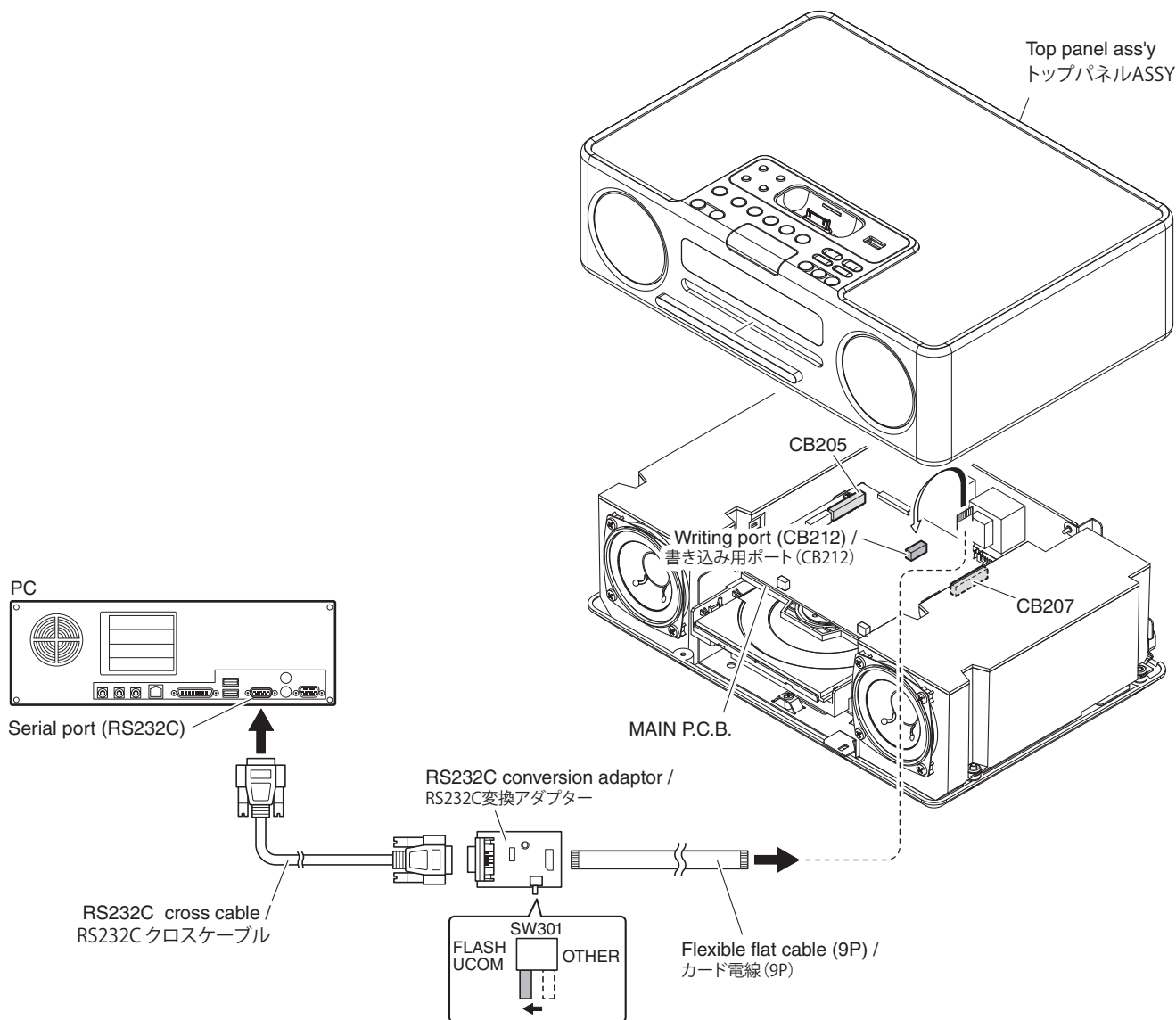


Fig. 1

● Operation procedures

1. Connect the power cable of this unit to the AC outlet.
2. Start up FlashSta.exe. (Fig. 2)
3. Select the data to be transmitted and port. (Fig. 2)
 - Select Program
Select Internal flash memory.
 - RS232C
Select the port of RS-232C
 - * For selection of the port, COM1 to 4 can be used.
As COM5 or higher port cannot be used, select out of COM 1 to 4 of the setting on the PC side.

● 操作方法

1. 本機の電源コードを AC コンセントに接続します。
2. FlashSta.exe を起動します。(Fig. 2)
3. 送信データ、ポートを選択します。(Fig. 2)
 - Select Program
Internal flash memory を選択します。
 - RS232C
接続している RS-232 C ポートを選択します。
 - ※ ポートの選択は COM1 ~ 4 までが使用できます。
COM5 以上は使用できませんので、PC 側の設定で COM1 ~ 4 を選択してください。

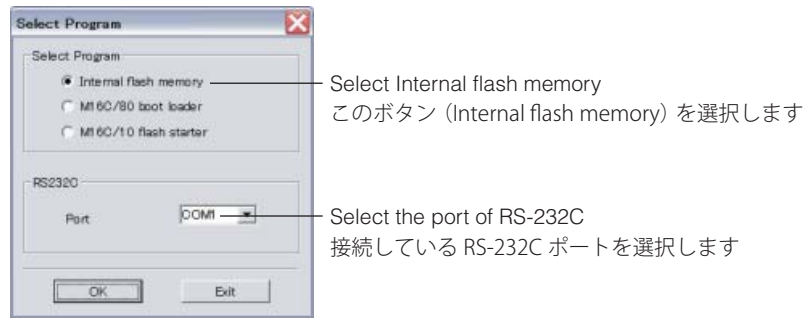


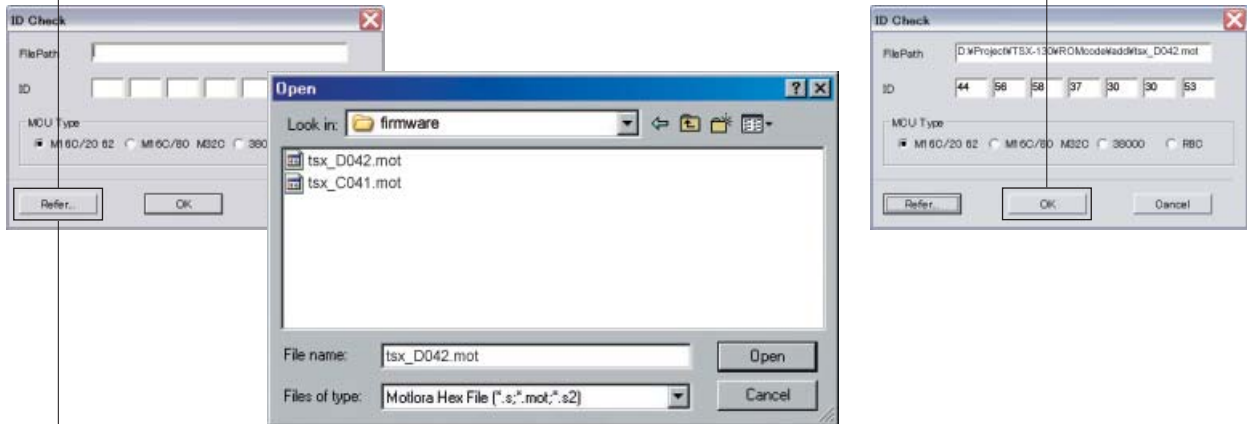
Fig. 2

4. Click [Refer...], and select the firmware name. (Fig. 3)

* The ID and MCU Type are loaded automatically when the file is selected. (Fig. 3)
Click [OK]. (Fig. 3)

4. [Refer...] をクリックし、書き込むファームウェアを選択します。(Fig. 3)

※ ID、および MCU Type は書き込みファイル選択後、自動的に取り込まれます。(Fig. 3)
[OK] をクリックします

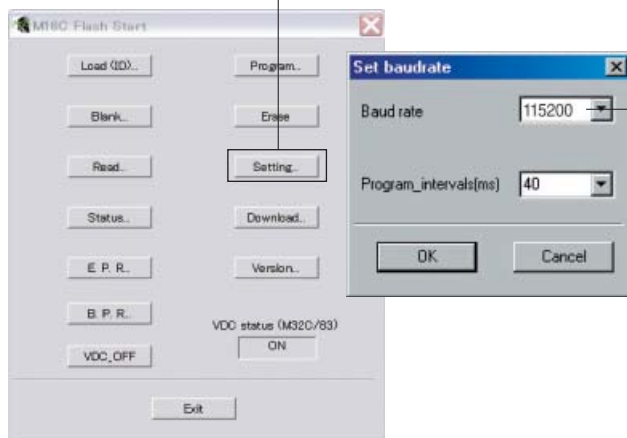


When [Refer...] is clicked, the "Open" is displayed.
[Refer...] をクリックすると「ファイルを開く」が表示されます

Fig. 3

5. Click [Setting], and set the baud rate. (Fig. 4)

5. [Setting] をクリックし、通信速度の設定を行います。(Fig. 4)



Select 115200 bps for the baud rate and 40 ms for the program intervals.

* Reduce the baud rate if a transmission error occurs frequently.

通信速度は 115200bps、時間幅は 40ms を選択します。

※ 送信エラーが多発する場合は、通信速度を下げてください。

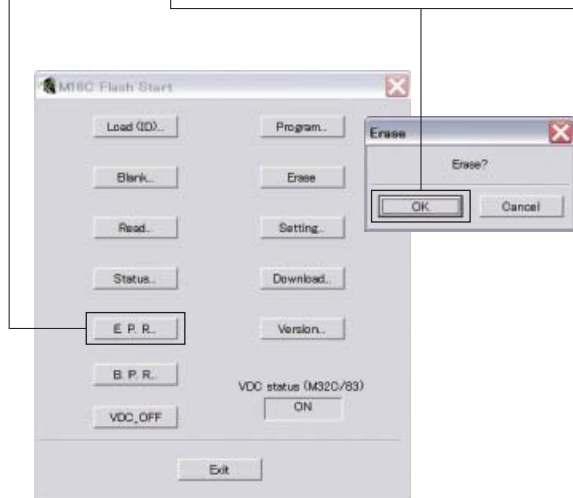
Fig. 4

6. Click [E.P.R.], then the "Erase" screen is displayed. (Fig. 5)

6. [E.P.R] をクリックすると、「Erase」が表示されます。(Fig. 5)

7. Click [OK] to start writing. (Fig. 5)

7. [OK] をクリックして書き込みを開始します。(Fig. 5)



Writing being executed.
書き込み中

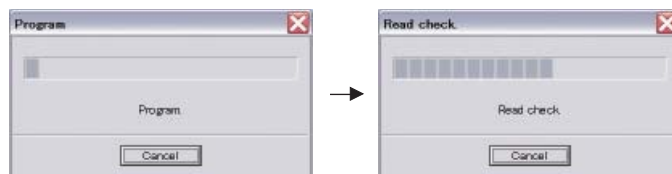


Fig. 5

8. When writing of the firmware is completed, the screen appears as shown below. (Fig. 6)
Click [OK]. (Fig. 6)
9. Click [Exit] to end FlashSta.exe. (Fig. 6)

8. プログラムの書き込みが完了すると、以下の画面が表示されます。
[OK] をクリックします。(Fig. 6)
9. [Exit] をクリックして FlashSta.exe を終了します。(Fig. 6)

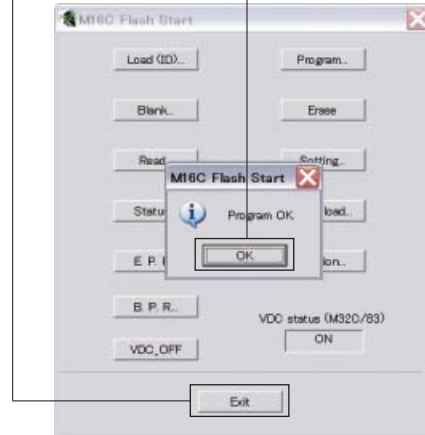


Fig. 6

10. Check that the firmware version and checksum are the same as written ones by using the self-diagnostic function menu.

10. ファームウェアのバージョンとチェックサムが、書き込まれたものと同じであることをダイアグで確認します。

1-1 VER: D047

1-1 Firmware version

1-2 SUM: 5404

1-2 Checksum

* When the firmware version and checksum are different from written ones, perform the "UPDATING FIRMWARE" procedure all over again.

※ ファームウェアのバージョンとチェックサムが、書き込まれたもの異なる場合、「ファームウェアの書き込み」をもう一度やり直してください。

11. Disconnect the power cable of main unit from the AC outlet.

11. 本機の電源コードを AC コンセントから抜きます。

● Initializing of this unit

- * After updating firmware, be sure to initialize this unit.

Start up the self-diagnostic function of this unit and select the “B. FACTORY PRESET” menu. (See “SELF-DIAGNOSTIC FUNCTION”)

Select the “PRESET RSRV” (Initialization reserved) and turn off the power to this unit.

● 本機の初期化

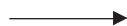
- ※ ファームウェアの書き込み後は、必ず本機を初期化してください。

本機のダイアグを起動し、「B. FACTORY PRESET」メニューを選択します。（「ダイアグ（自己診断機能）」参照）

「PRESET RSRV」（初期化予約）を選択し、本機の電源を切ります。

PRESET INHIBIT (Initialization inhibited) /
初期化禁止

B-1 PRESET INH



PRESET RESERVED (Initialization reserved) /
初期化予約

B-2 PRESET RSRV

■ SELF-DIAGNOSTIC FUNCTION / ダイアグ (自己診断機能)

There are 11 main menu items, each of which has sub-menu items. Listed in the table below are menu items and sub-menu items.

メインメニューは11個あり、そのそれぞれにサブメニューがあります。下表はメニュー一覧です。

MAIN MENU	SUB MENU
1 ROM VER/SUM	1 MAIN VERSION 2 MAIN CHECKSUM 3 CD VERSION 4 USB VERSION
2 AUDIO TEST	1 iPod 2 TUNER 3 CD 4 USB 5 AUX
3 FL CHECK	1 FL CHECK 2 FL DISPLAY OFF 3 FL DISPLAY ALL 4 FL DIMMER 5 FL CHECK PATTERN1 6 FL CHECK PATTERN2
4 iPod (Not applied to these models. / このモデルには適用されません。)	1 CONNECTION CHECK/UART LOOPBACK TEST
5 MAIN PCB CHECK	1 ALL Check 2 I2C Check 3 RTC SELF CHECK
6 CD CHECK	1 Laser Diode Check 2 Spindle Motor Check 3 Feed Motor Check 4 Focus Check 5 Tracking 6 Module Upgrade
7 SYSTEM MONITOR	1 PS1 / PS2 2 LUMINANCE 3 AUDIO DETECT 4 MODEL 5 DESTINATION 6 PANEL KEY (KEY0/KEY1/KEY2)
8 PROTECTION HISTORY	1 LAST 2 HISTORY 1 3 HISTORY 2 4 HISTORY 3
9 SET INFORMATION	1 MODEL 2 DEST
A SOFT SWITCH (Not applied to these models. / このモデルには適用されません。)	1 SW MODE 2 DEST
B FACTORY PRESET	1 PRESET INH 2 PRESET RSRV

● Starting Self-Diagnostic Function

While pressing those 2 keys of this unit as indicated in the figure below, press the “ON/OFF” key to turn on the power.

The self-diagnostic function mode is activated.

● ダイアグの起動

本機の下図に示す 2 つのキーを押しながら “ON/OFF” キーを押して電源を入れます。

ダイアグが起動します。



Display / ディスプレイ表示



● Starting Self-Diagnostic Function in the protection cancel mode

If the protection function works and causes hindrance to trouble shoot, cancel the protection function as described below, and it will be possible to enter the self-diagnostic function mode.

(The protection functions except the excess current detect function will be disabled.)

While pressing those 2 keys of this unit indicated in the figure above, press the “ON/OFF” key to turn on the power and keep pressing those 2 keys for 3 seconds or longer.

The self-diagnostic function mode is activated with the protection functions disabled.

In this mode, the “SLEEP” segment of the FL display of this unit flashes to indicate that the mode is self-diagnostic function mode with the protection functions disabled.

● プロテクション解除モードでの起動

プロテクションが動作することにより、故障箇所の診断に支障をきたすような場合は、次の方法によりプロテクションを解除した状態でダイアグモードに入ることができます。

(過電流検出以外のプロテクション動作を解除します)

本機の上図に示す 2 つのキーを押しながら “ON/OFF” キーを押して電源を入れ、2 つのキーを 3 秒以上押し続けます。

プロテクションを解除した状態でダイアグが起動します。

このモードでは本機 FL の “SLEEP” セグメントが点滅し、プロテクションを解除した状態でのダイアグモードであることを知らせます。

CAUTION!

Using this product with the protection function disabled may cause further damage to itself. Use special care when using this mode.

注意!

プロテクションを解除した状態でのダイアグモードは、危険な状態でもプロテクションが作動しないため、動作させると、機器を破壊することがあります。このモードを使用する場合は十分注意してください。

● **Canceling Self-Diagnostic Function**

1. Before canceling self-diagnostic function, execute setting for FACTORY PRESET of main menu No. B (Memory initialization inhibited or Memory initialized).
 - * In order to keep the user memory stored, be sure to select PRESET INH (Memory initialization inhibited).
2. Press the "ON/OFF" key of this unit to turn off the power.

● **Display provided when Self-Diagnostic Function started**

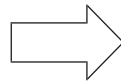
The FL display of this unit displays the protection function history data then the main menu (sub-menu MAIN CPU VERSION of main menu No. 1 ROM VER/SUM) a few seconds later.

When there is no history of protection function:

Opening message / オープニング表示

No Protection

After a few seconds / 数秒後



Main menu display / メインメニュー表示

1-1 VER:D042

When there is a history of protection function:

When there is a history of protection function due to abnormal amplifier section

D-AMP Error

プロテクション履歴がある場合:

アンプ部の異常によるプロテクション履歴がある場合

When there is a history of protection function due to abnormal voltage in the power supply section

PS1 (AD:xxx H)

A/D conversion value of voltage / 電圧の A/D 変換値 H: High
L: Low

PS2 (AD:xxx L)

A/D conversion value of voltage / 電圧の A/D 変換値 H: High
L: Low

電源部の電圧異常によるプロテクション履歴がある場合

For details of protection functions, refer to the main menu No. 7-1 PS1/PS2.

プロテクションの詳細は、メインメニュー No. 7-1 PS1/PS2 を参照してください。

● **ダイアグの解除**

1. ダイアグを解除する前に、メインメニュー No. B の FACTORY PRESET (メモリーの初期化禁止 / またはメモリーの初期化) の設定をします。
 - ※ ユーザーメモリーを保持したい場合は、必ず PRESET INH (メモリー初期化禁止) を選択してください。
2. 本機の "ON/OFF" キーを押して電源を切ります。

● **ダイアグ起動時の表示**

本機の FL ディスプレイにプロテクション履歴情報とファームウェアバージョン (英 1 文字) が表示されます。数秒後、メインメニュー No. 1 「ROM VER/SUM」のサブメニュー「1-1 MAIN CPU VERSION」が表示されます。

プロテクション履歴がない場合:

Note)

- Applying the power to this unit without correcting the abnormality can be dangerous and cause additional circuit damage.

To avoid this, if protection function has been activated 3 times continuously, the power will not turn on even when the "ON/OFF" key is pressed.

In order to turn on the power again, disconnect the power cable of this unit from the AC outlet once and then reconnect it again.

注意！

- 異常状態のまま本機の電源を入れると、危険な状態になり、さらに回路が損傷を受ける原因になります。そのため連続してプロテクションが働いた場合、3回目以降 "ON/OFF" キーを押しても電源が入らなくなります。

再度電源を入れる場合、一度本機の電源コードを AC 電源コンセントから抜いて接続し直してください。

- **History of protection function**

When the protection function has worked, its history is stored in memory with a backup. Even if no abnormality is noted while servicing the unit, an abnormality which has occurred previously can be defined as long as the backup data has been stored.

The history of the protection function is cleared when self-diagnostic function is cancelled by selecting PRESET RSRV (Memory initialized) of main menu No. B or when the backup data is erased.

- **プロテクションの履歴**

プロテクションが働いた場合、履歴をバックアップして記憶しています。修理のときに異常が認められなくても、バックアップが残っていれば、お客様のところで起きた異常を区別できます。

メインメニュー No. B で PRESET RSRV (メモリーの初期化) を選んでダイアグを解除した場合、またはバックアップが消えた場合に、プロテクションの履歴はクリアされます。

● Operation procedure of Main menu and Sub-menu

There are 11 menu items, each of having sub-menu items.

Main menu selection

Select the main menu using "VOLUME +" (Forward) and "VOLUME -" (Reverse) keys of this unit.

Sub-menu selection

Select the sub-menu using "ENTER" (Forward) key of this unit.

● メインメニューとサブメニューの操作

ダイアグには 11 のメニューがあり、そのそれぞれにサブメニューがあります。

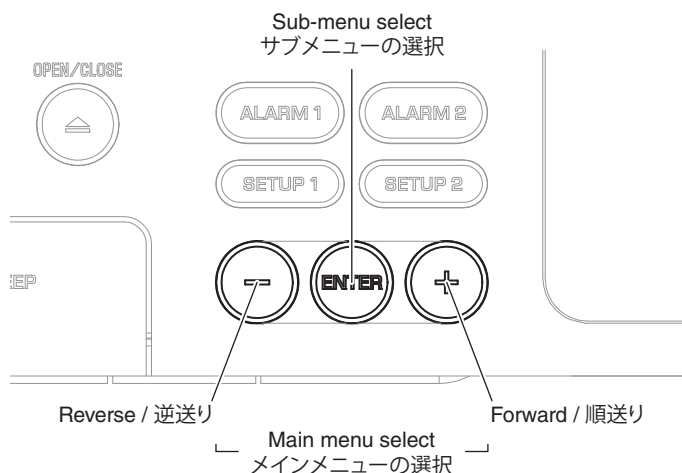
メインメニューの選択

"VOLUME +" キー (順送り)、"VOLUME -" キー (逆送り) で選択します。

サブメニューの選択

"ENTER" キー (順送り) で選択します。

Keys of this unit / 本機キー



● Functions in Self-Diagnostic Function mode

In addition to the self-diagnostic function menu items, functions listed below are available.

- Input selection
- Muting
- Power on/off
- Master volume

* Functions related to the tuner and the set menu are not available.

● ダイアグ中の機能

ダイアグメニューの他に、以下の機能が動作します。

- インプット切り換え
- ミューティング
- 電源オン/オフ
- マスターボリューム

※ チューナー関連、セットメニュー関連は機能しません。

● Initial settings used to start Self-Diagnostic Function

The following initial setting is used when starting self-diagnostic function.

When self-diagnostic function is canceled, this setting is restored to that before starting self-diagnostic function.

Master volume: 25

● ダイアグ開始時の初期設定

ダイアグ開始時に以下のような設定になります。

ダイアグ解除時にはダイアグ開始前の状態に戻ります。

マスターボリューム：25

● Details of Self-Diagnostic Function menu

1. ROM VER/SUM

The firmware version and checksum are displayed.

The checksum is obtained by adding the data at every 8 bits for each program area and expressing the result as a 4-figure hexadecimal data.

* Numeric values in the figure example are for reference.

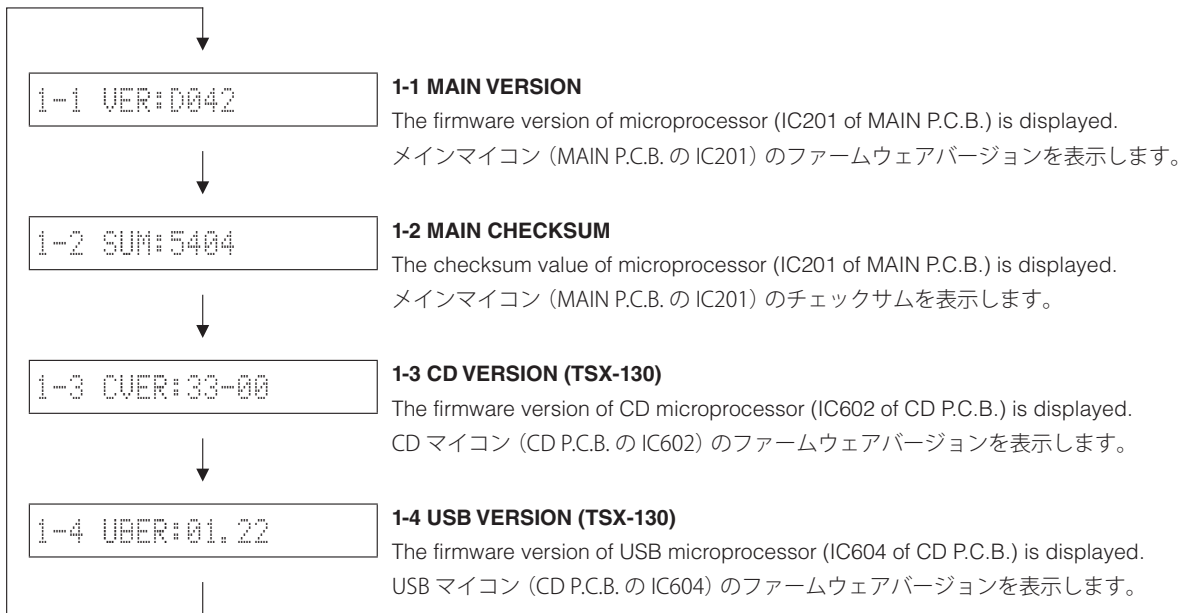
● ダイアグメニュー詳細

1. ROM VER/SUM

ファームウェアバージョン、チェックサムを表示します。

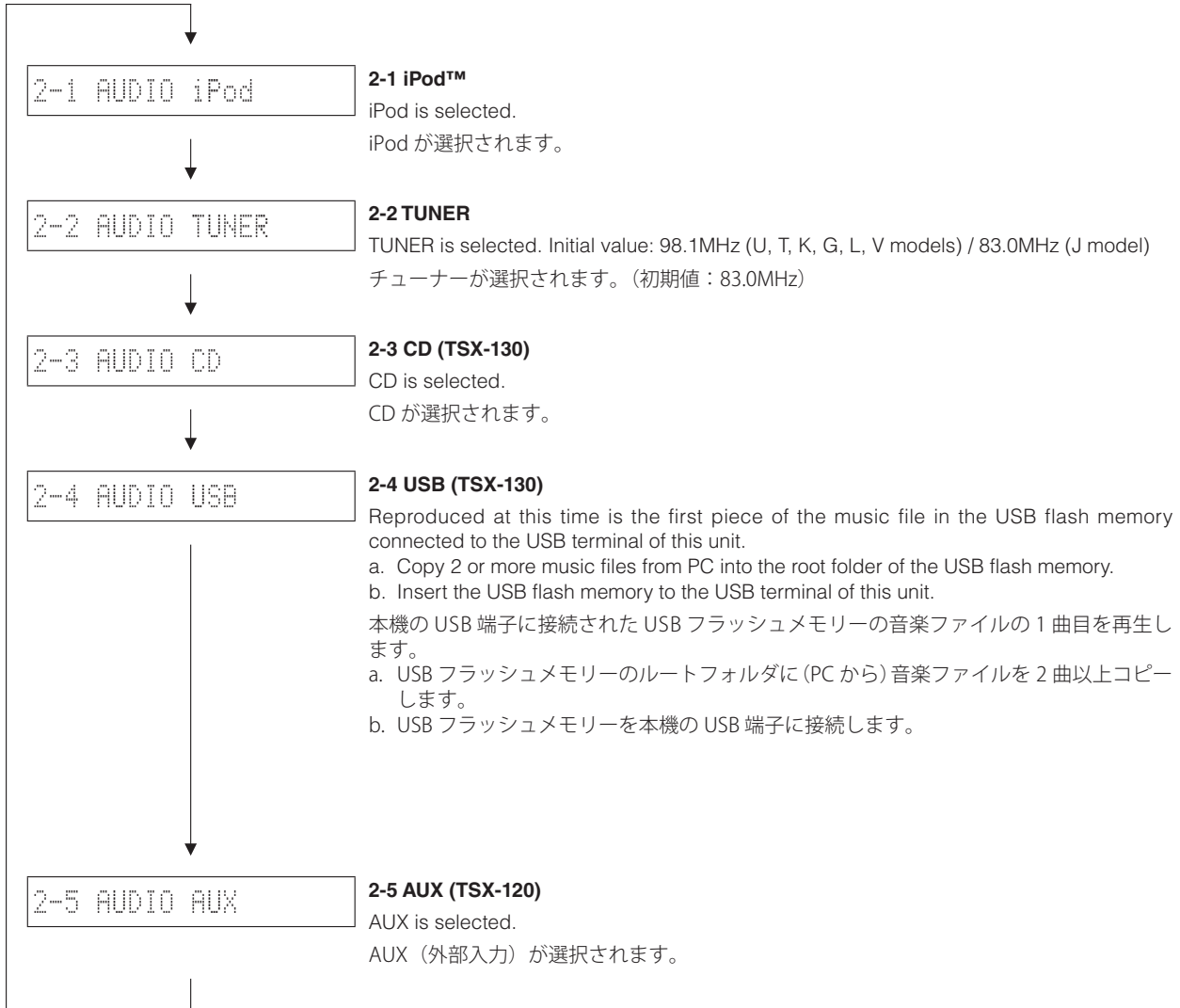
チェックサムは、プログラムエリア別にデータを8ビットごとに加算していき、4桁の16進データで現したものです。

※ 図中の数値は参考例です。



2. AUDIO TEST

Using the sub-menu, the input source is changed as shown below.



2. AUDIO TEST

サブメニュー操作により、入力ソースが以下のように切り替わり。

3. FL CHECK

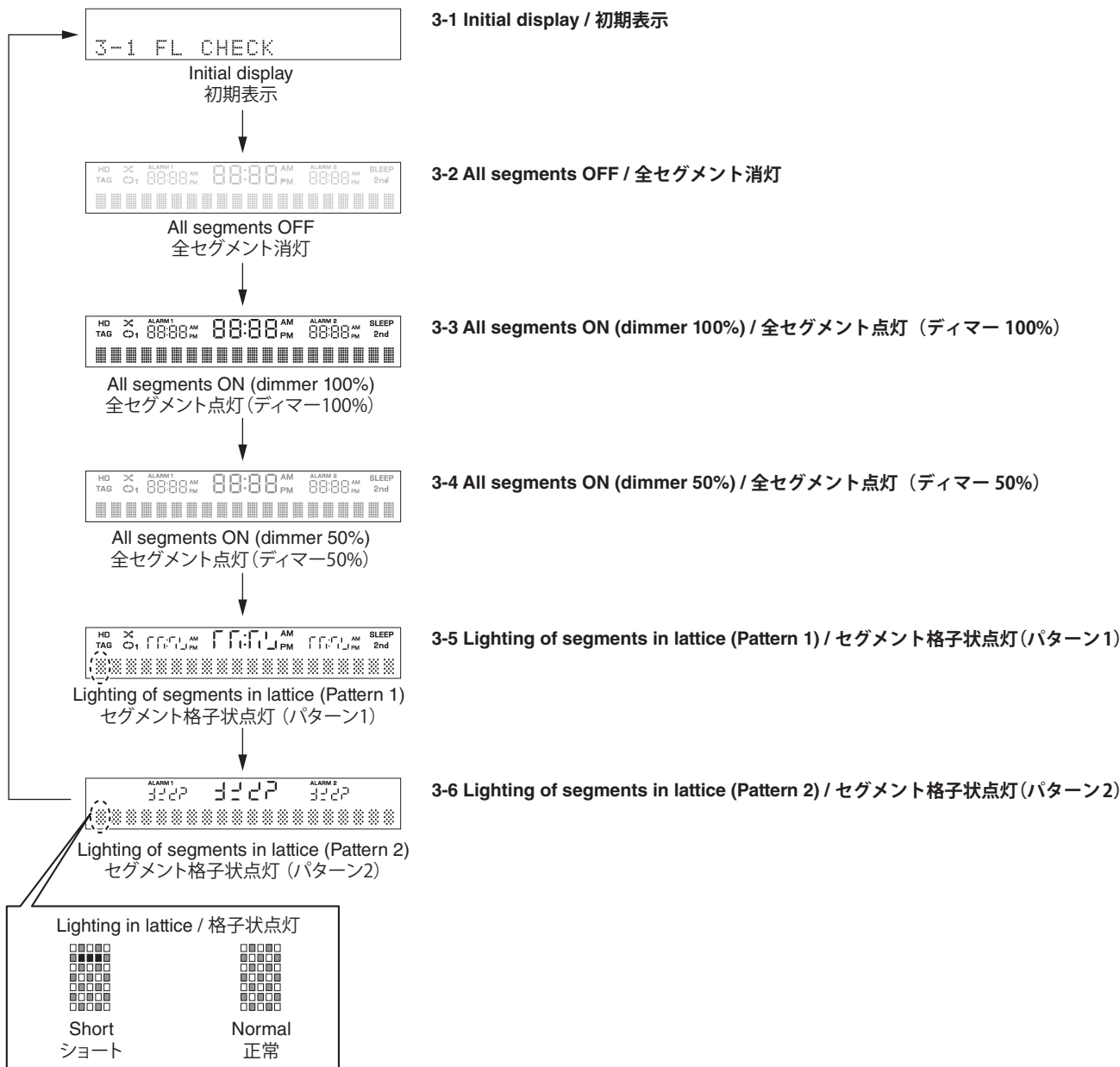
This menu is used to check the FL display section.

Using the sub-menu, the display varies as shown below.

3. FL CHECK

FL 表示部を確認します。

サブメニュー操作により、表示が以下のように変わります。



Segment conditions of the FL driver and the FL tube are checked by turning ON and OFF all segments.

Next, the operation of the FL driver is checked by using the dimmer control. Then a short between segments next to each other is checked by turning ON and OFF all segments alternately (in lattice).

(In the above example, the segments in the second row from the top are shorted.)

全セグメント消灯・全セグメント点灯により FL ドライバー、FL 管のセグメントの不良を確認します。

次に、ディマーコントロールによって FL ドライバーの動作チェックを行います。さらに全セグメントを交互（格子状）に点灯／消灯することで、隣り合うセグメントのショートをチェックします。

(上記の例は、上から 2 列目のセグメントがショートしています。)

4. iPod™

Not applied to these models.

4. iPod™

このモデルには適用されません。

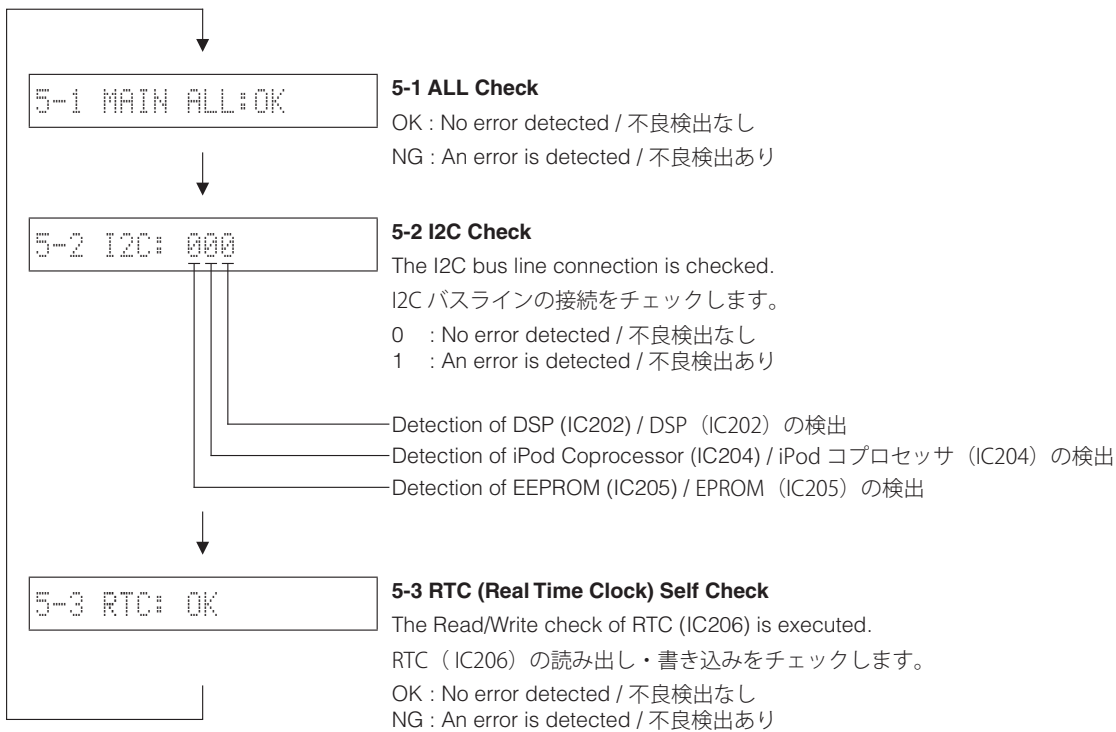
4 iPod NG:NNN

5. MAIN PCB CHECK

Communication and bus line connection between the MAIN P.C.B. and each device are checked.

5. MAIN PCB CHECK

MAIN P.C.B. と各デバイス間の通信とバスラインの接続をチェックします。



6. CD CHECK (TSX-130)

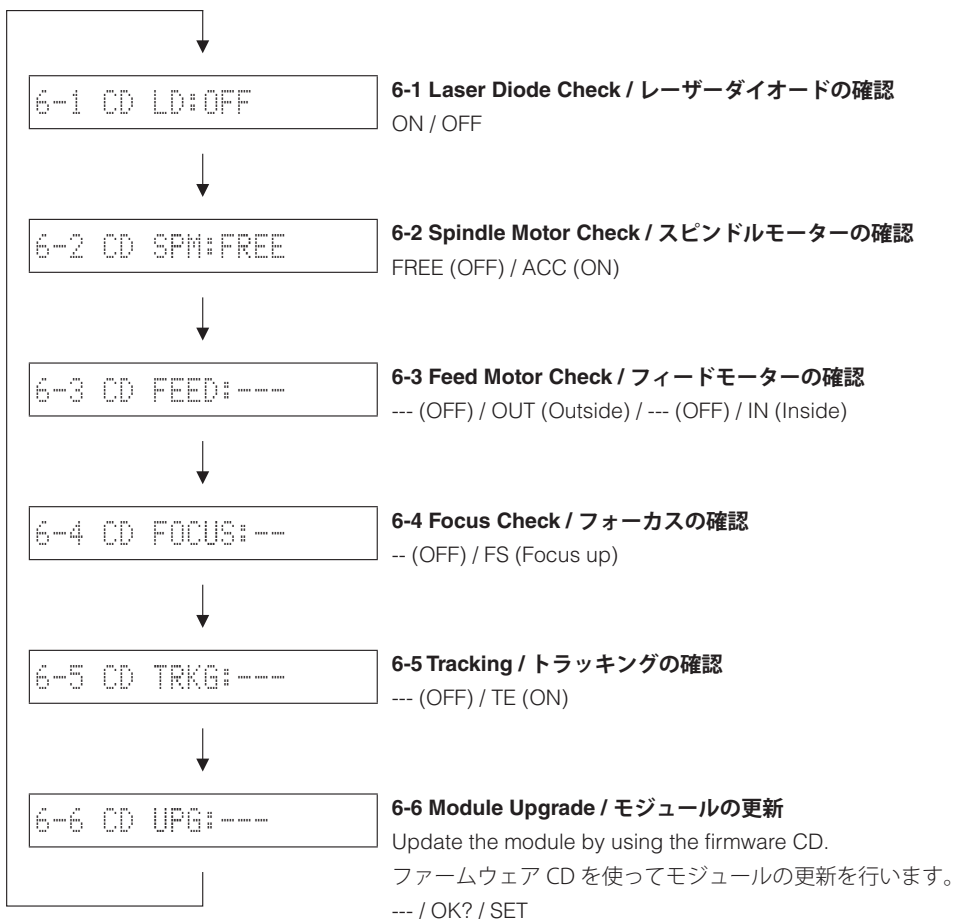
This menu is used to check operation of the CD mechanism unit.

Select sub menu and press the "PLAY/PAUSE" key to change operation mode.

6. CD CHECK (TSX-130)

CD メカユニットの動作確認をします。

サブメニュー選択後、“PLAY/PAUSE” キーを押して動作モードを切り替えます。



7. SYSTEM MONITOR

This menu is used to display the A/D conversion value of the main microprocessor which detects panel keys of this unit and protection functions in using the sub-menu.

7-1 PS1 / PS2

(Power supply voltage protection detection)

Power supply voltage protection value
(Normal value: PS1: 156 to 193, PS2: 110 to 171)

PS1: Detects +VP, AMPVCC(13.2V), +12A, +5A, +3.3D and +5I.

PS2: Detects USB+5 (TSX-130) and M+7V (TSX-130).

* If PS becomes out of the normal value range, the protection function works to turn off the power.

(Reference voltage: 3.3V=255)

7-1 PS: 175 63

PS2
PS1

7-2 LUMINANCE

This menu is used to detect the output voltage of luminance sensor (SR1 of the POWER P.C.B.).

The voltage at 92 pin of microprocessor IC211 is displayed with 3.3V/255 as a standard.

7-2 LUMI: 250

7-3 AUDIO (iPod audio signal detection)

This menu is used to detect the audio signal output of iPod.

(Normal value: 100 or more)

The voltage at 89 pin of microprocessor IC201 is displayed with 3.3V/255 as a standard.

7-3 AUDIO: 0

7. SYSTEM MONITOR

本機パネルキー、プロテクションなどを検出しているメインマイコンの A/D 変換の値を、サブメニューで表示します。

7-1 PS1 / PS2

(電源電圧プロテクションの検出)

プロテクションの値
(正常値: PS1: 156 ~ 193、PS2: 110 ~ 171)

PS1: +VP、AMPVCC (13.2V)、+12A、+5A、+3.3D、+5I を検出しています。

PS2: USB+5 (TSX-130)、M+7V (TSX-130) を検出しています。

※ PS が正常値を外れるとプロテクションが働き、電源が切れます。
(基準電圧: 3.3V=255)

7-2 LUMINANCE

照度センサー (POWER P.C.B. の SR1) の出力電圧を検出します。

マイコン (IC211) の 92 ピンの電圧値を 3.3V/255 を基準にして表示します。

7-3 AUDIO (iPod 音声信号の検出)

iPod の音声信号出力を検出します。

(正常値: 100 以上)

マイコン (IC201) の 89 ピンの電圧値を 3.3V/255 を基準にして表示します。

7-4 MODEL (Model detection)

The voltage at 93 pin of microprocessor IC201 is displayed with 3.3V/255 as a standard.

7-4 MODEL (モデル検出)

マイコン (IC201) の 93 ピンの電圧値を 3.3V/255 を基準にして表示します。

7-4 MODEL: 0

Display	0 - 16	17 - 48	49 - 83	84 - 121
Model	TSX-120	TSX-130	(TSX-120 DAB)	(TSX-130 DAB)

7-5 DESTINATION (Destination detection)

The voltage at 94 pin of microprocessor (IC201) is displayed with 3.3V/255 as a standard.

7-5 DESTINATION (仕向け先検出)

マイコン (IC201) の 94 ピンの電圧値を 3.3V/255 を基準にして表示します。

7-5 DEST: 255

Display	0 - 16	49 - 83	84 - 121	158 - 193	234 - 255
Destination	U	J	T, K, L, V	(A, B)	G

7-6 KEY0 / KEY1 / KEY2

(Panel key of this unit detection)

The voltage at 97 pin (KEY0), 95 pin (KEY1) and 70 pin (KEY2) of microprocessor IC201 are displayed with 3.3V/255 as a standard.

When the A/D value of the panel key becomes out of the specified range, normal operation will not be available.

In this case, check the constant of voltage dividing resistor, solder condition, etc. Refer to table.

When this menu is selected, keys become non-operable due to detection of the values of all keys. However, it is possible to advance to the next sub-menu by pressing the "CENTER" key on the remote control.

7-6 KEY0 / KEY1 / KEY2

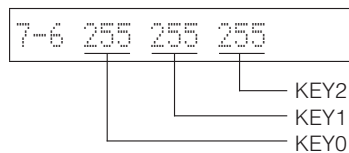
(本機パネルキー検出)

マイコン (IC201) の 97 ピン (KEY0)、95 ピン (KEY1)、70 ピン (KEY2) の電圧値を 3.3V/255 を基準にして表示します。

パネルキーの A/D 値が規定の範囲から外れると、正常な動きをしません。

下表をご覧くださいになり、各キーの分圧抵抗の定数、ハンダ不良等の確認をしてください。

本メニューにすると、全キーの値を検出するためキー操作はできなくなりますが、リモコンの "CENTER" キーを押すと、次のサブメニューに進むことができます。



TSX-130

Display	Ohm	Key 0	Key 1	Key 2
0 - 16	0	SNOOZE	ALARM 1	iPod
17 - 48	+ 1.5 k	PLAY/PAUSE	ALARM 2	FM
49 - 79	+ 1.8 k	STOP	SET 1	USB
80 - 111	+ 2.7 k	OPEN/CLOSE	SET 2	CD
112 - 143	+ 3.9 k	FORWARD	-	
144 - 174	+ 6.8 k	REVERSE	ENTER	
175 - 205	+ 12.0 k	VOLUME +	+	
206 - 238	+ 33.0 k	VOLUME -		
239 - 255	∞	OFF	OFF	OFF

TSX-120

Display	Ohm	Key 0	Key 1	Key 2
0 - 16	0	SNOOZE	ALARM 1	iPod
17 - 48	+ 1.5 k	PLAY/PAUSE	ALARM 2	FM
49 - 79	+ 1.8 k	STOP	SET 1	AUX
80 -111	+ 2.7 k	OPEN/CLOSE	SET 2	
112 -143	+ 3.9 k	FORWARD	-	TUNING <
144 - 174	+ 6.8 k	REVERSE	ENTER	TUNING >
175 - 205	+ 12.0 k	VOLUME +	+	PRESET <
206 - 238	+ 33.0 k	VOLUME -		PRESET >
239 - 255	∞	OFF	OFF	OFF

8. PROTECTION HISTORY

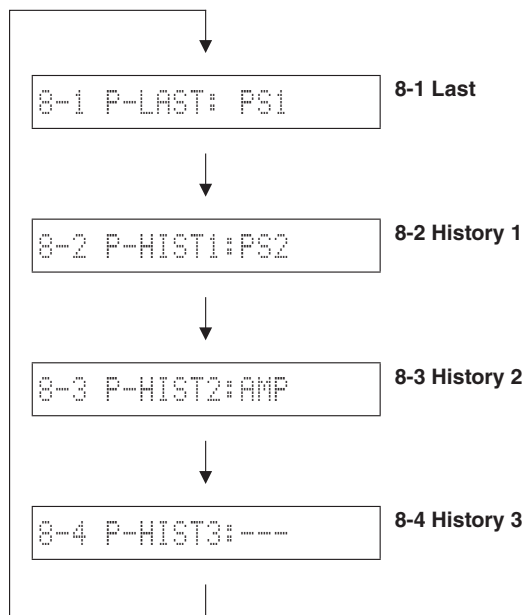
The history of protection function is displayed.

After selecting the sub-menu, press the "PLAY/PAUSE" key, and the history will be erased.

8. PROTECTION HISTORY

プロテクション履歴を表示します。

サブメニューを選んだ後、“PLAY/PAUSE” キーを押すと履歴は消去されます。



9. SET INFORMATION

Model name and destination are displayed.

9. SET INFORMATION

モデル名と仕向け先を表示します。



A. SOFT SWITCH

Not applied to these models.

A. SOFT SWITCH

このモデルには適用されません。

A-1 MODE:PCB



A-2 DEST:----

B. FACTORY PRESET

This menu is used to reserve and inhibit initialization of the back-up IC (clock set up, tuner preset, etc.).

B. FACTORY PRESET

バックアップ用 IC (時計の設定やチューナープリセット等) の初期化を予約/禁止します。

B-1 PRESET INH



B-2 PRESET RSRV

B-1 PRESET INH (Initialization inhibited) / PRESET INH (初期化禁止)

IC initialization is not executed. Select this sub-menu to protect the values set by the user.

IC の初期化は行われません。ユーザーの設定値を保護するときは、こちらを選択してください。

B-2 PRESET RSRV (Initialization reserved) / PRESET RSRV (初期化予約)

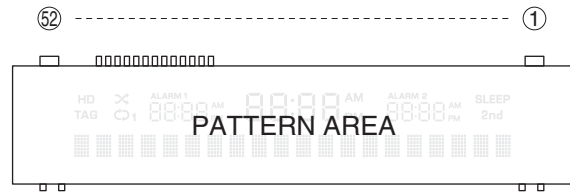
Initialization of the back-up IC is reserved. (Actually, initialization is executed the next time that the power is turned on.)

Select this sub-menu to reset to the original factory settings or to reset the IC. Any protection history will be cleared.

バックアップ IC の初期化が予約されます。(実際に初期化されるのは、次回の電源投入時です。) 工場出荷時や IC をリセットしたいときは、こちらを選択してください。

■ DISPLAY DATA

- V701: 13-ST-83GINK (POWER P.C.B.)

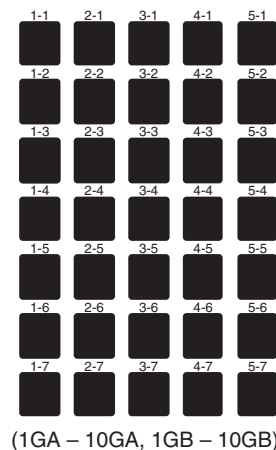
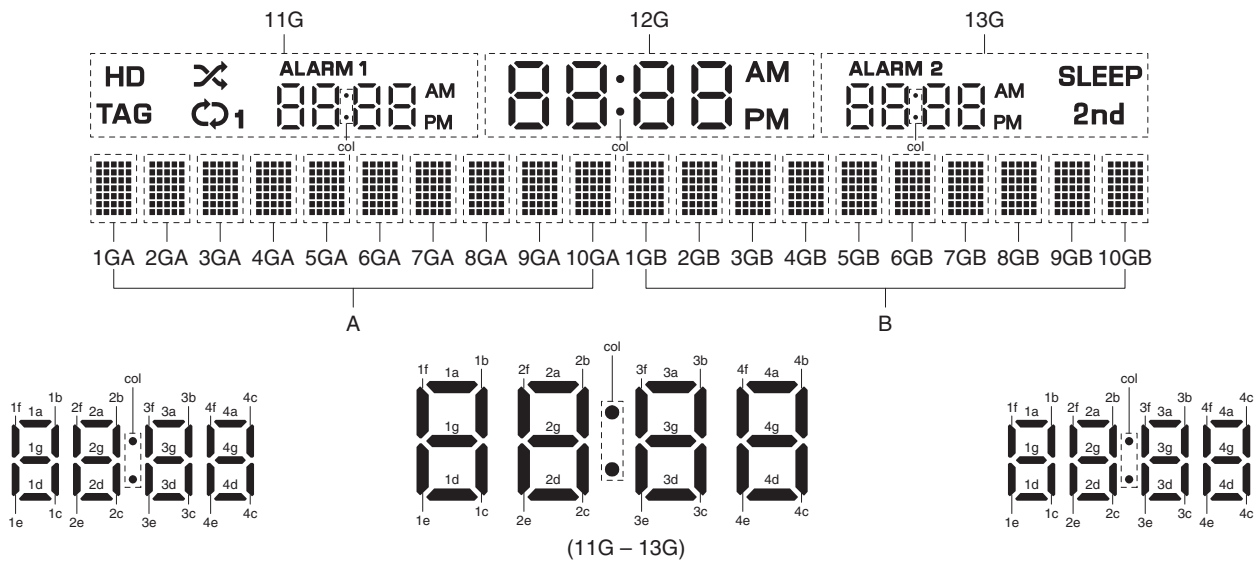


• PIN CONNECTION

Pin No.	52	51	50	49	48	47	46	45	44	43	42	41	40	39	38	37		
Connection	F2	NP	NP	NP	NP	LGND	PGND	VH	VDD	OSC	RESET	CS	CP	DA	TSA	TSB		
Pin No.	36	35	34	33	32	31	30	29	28	27	26	25	24	23	22	21	20	19
Connection	Q11G	11G	NP	NP	NP	NP	NP	NP	NP	NP	NP	NP	NP	NP	NP	NP	NP	NP
Pin No.	18	17	16	15	14	13	12	11	10	9	8	7	6	5	4	3	2	1
Connection	NP	NP	NP	NP	NP	NP	NP	NP	NP	NP	NP	NP	NP	NP	NP	NP	NP	F1



Note: 1) F1, F2 Filament 2) NP No pin 3) LGND Logic GND pin 4) PGND Power GND pin 5) VH High voltage supply pin
 6) VDD Logic voltage supply pin 7) CP Shift register clock 8) DA Serial data input 9) TSA, TSB Test pin
 10) CS Chip select input pin 11) RESET Reset input 12) OSC Pin for self-oscillation 13) 11G Grid 14) Q11G Driver output port

• GRID ASSIGNMENT



TSX-130/TSX-120

• ANODE CONNECTION

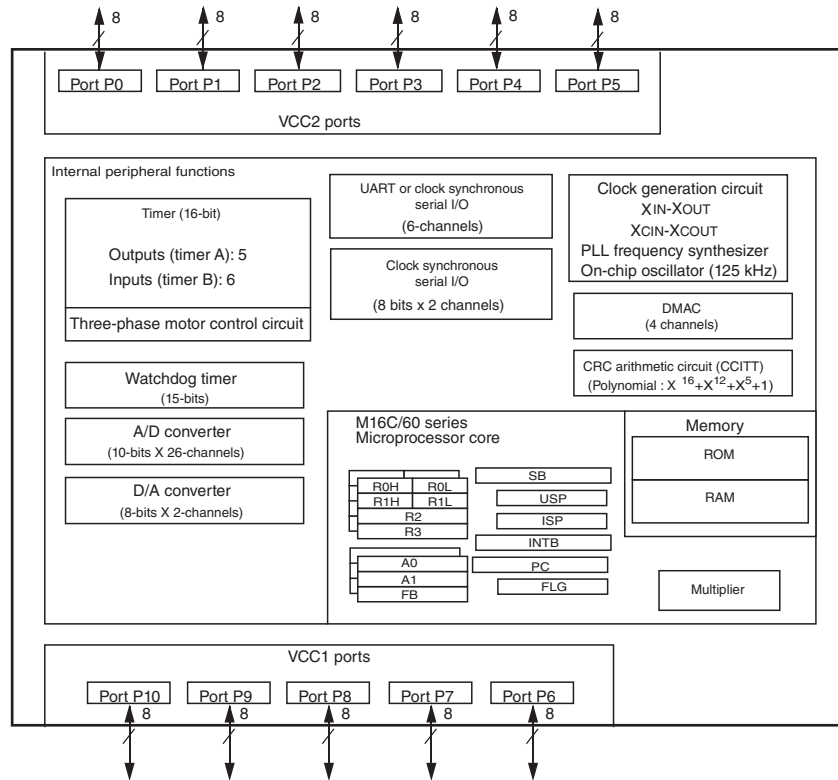
	1GA – 10GA	1GB – 10GB	11G	12G	13G		1GA – 10GA	1GB – 10GB	11G	12G	13G
D0A	1-1A	–	–	–	–	D0B	–	1-1B	TAG	–	–
D1A	2-1A	–	–	–	–	D1B	–	2-1B	1	–	–
D2A	3-1A	–	–	–	–	D2B	–	3-1B		–	2nd
D3A	4-1A	–	–	–	–	D3B	–	4-1B	PM	PM	PM
D4A	5-1A	–	–	–	–	D4B	–	5-1B	4d	4d	4d
D5A	1-2A	–	–	–	–	D5B	–	1-2B	3d	3d	3d
D6A	2-2A	–	–	–	–	D6B	–	2-2B	2d	2d	2d
D7A	3-2A	–	–	–	–	D7B	–	3-2B	1d	1d	1d
D8A	4-2A	–	–	–	–	D8B	–	4-2B	4e	4e	4e
D9A	5-2A	–	–	–	–	D9B	–	5-2B	3e	3e	3e
D10A	1-3A	–	–	–	–	D10B	–	1-3B	2e	2e	2e
D11A	2-3A	–	–	–	–	D11B	–	2-3B	1e	1e	1e
D12A	3-3A	–	–	–	–	D12B	–	3-3B	4c	4c	4c
D13A	4-3A	–	–	–	–	D13B	–	4-3B	3c	3c	3c
D14A	5-3A	–	–	–	–	D14B	–	5-3B	2c	2c	2c
D15A	1-4A	–	–	–	–	D15B	–	1-4B	1c	1c	1c
D16A	2-4A	–	–	–	–	D16B	–	2-4B	4g	4g	4g
D17A	3-4A	–	–	–	–	D17B	–	3-4B	3g	3g	3g
D18A	4-4A	–	–	–	–	D18B	–	4-4B	2g	2g	2g
D19A	5-4A	–	–	–	–	D19B	–	5-4B	1g	1g	1g
D20A	1-5A	–	–	–	–	D20B	–	1-5B	col	col	col
D21A	2-5A	–	–	–	–	D21B	–	2-5B	4f	4f	4f
D22A	3-5A	–	–	–	–	D22B	–	3-5B	3f	3f	3f
D23A	4-5A	–	–	–	–	D23B	–	4-5B	2f	2f	2f
D24A	5-5A	–	–	–	–	D24B	–	5-5B	1f	1f	1f
D25A	1-6A	–	–	–	–	D25B	–	1-6B	4b	4b	4b
D26A	2-6A	–	–	–	–	D26B	–	2-6B	3b	3b	3b
D27A	3-6A	–	–	–	–	D27B	–	3-6B	2b	2b	2b
D28A	4-6A	–	–	–	–	D28B	–	4-6B	1b	1b	1b
D29A	5-6A	–	–	–	–	D29B	–	5-6B	4a	4a	4a
D30A	1-7A	–	–	–	–	D30B	–	1-7B	3a	3a	3a
D31A	2-7A	–	–	–	–	D31B	–	2-7B	2a	2a	2a
D32A	3-7A	–	–	–	–	D32B	–	3-7B	1a	1a	1a
D33A	4-7A	–	–	–	–	D33B	–	4-7B	AM	AM	AM
D34A	5-7A	–	–	–	–	D34B	–	5-7B		–	–
						AD3	–	–	HD	–	SLEEP
						AD4	–	–	ALARM 1	–	ALARM 2

TSX-130/TSX-120

IC DATA

IC201: R5F3640DNFA (MAIN P.C.B.)

Single-chip 16-bit CMOS microprocessor



TXD1	31	EP_SDA	30	RDS_MISO	100
RXD1	32	EP_SCL	29	AVcc	99
CLK1	33	AMP_CLKIN	28	VRef	98
BUSY	34	RTC_N_CS	27	KEY0	97
CD_MOSI	35	RTC_SCL	26	AVSS	96
CD_MISO	36	IPD_SDA	25	KEY1	95
CD_SCK	37	IPD_MOSI	24	DEST	94
CD_CS	38	CD_UCS	23	MODEL	93
CLK_OUT	39	IPD_MISO	22	u-COM M16C/64	92
CD_N_RST	40	IPAP_DET	21	R5F3640DNFA	91
/EMP	41	INTO	20	IC201	90
LSW0	42	IPD_DET	19		89
LSW1	43	ALARM	18		88
DRV_MUTE	44	NMI	17		87
ICP_N_RST	45	VCC	16		86
/CE	46	XIN	15		85
DSP_SDA	47	VSS	14		84
DSP_SCL	48	XOUT	13		83
CD_OPEN	49	N_RST	12		82
CD_CLOSE	50	XOUT	11		81
		XCIN	10		80
		CNVSS	9		79
		BYTE	8		78
		FL_SCK	7		77
		TUN_MISO	6		76
		FL_MOSI	5		75
		TUN_N_CS	4		74
		RDS_RDY	3		73
		RDS_SCK	2		72
		RDS_N_RST	1		71
					70
					69
					68
					67
					66
					65
					64
					63
					62
					61
					60
					59
					58
					57
					56
					55
					54
					53
					52
					51
					50
					49
					48
					47
					46
					45
					44
					43
					42
					41
					40
					39
					38
					37
					36
					35
					34
					33
					32
					31
					30
					29
					28
					27
					26
					25
					24
					23
					22
					21
					20
					19
					18
					17
					16
					15
					14
					13
					12
					11
					10
					9
					8
					7
					6
					5
					4
					3
					2
					1
					0

TSX-130/TSX-120

Pin No.	Port Name	Function Name (P.C.B.)	I/O	Detail of Function
1	P96/ANEX1/SOUT4	RDS_N_RST	O	RDS reset control / Low = Reset (G model)
2	P95/ANEX0/CLK4	RDS_SCK	SO	RDS clock for communication (G model)
3	P94/DA1/TB4in	RDS_RDY	I	RDS READY input (G model)
4	P93/DA0/TB3in	TUN_N_CS	O	Analog TUNER chip select 3.3V to 5.0V conversion
5	P92/TB2in/SOUT3	FL_MOSI	SO	For FL control / TUNER control 3.3V to 5.0V conversion for TUNER
6	P91/TB1in/SIN3	TUN_MISO	SI	For TUNER control 5.0V to 3.3V conversion
7	P90/TB0in/CLK3	FL_SCK	SO	For FL control / TUNER control 3.3V to 5.0V conversion for TUNER
8	BYTE	BYTE	MCU	When in single chip mode: Vss
9	CNVss	CNVss	MCU	When in single chip mode: Vss When writing: Vcc
10	P87/Xcin	Xcin	MCU	
11	P86/Xcout	Xcout	MCU	
12	/RESET	N_RST	MCU	Reset
13	Xout	Xout	MCU	Oscillation output Oscillation stopped when in Sleep mode
14	Vss	Vss	MCU	Ground of microprocessor
15	Xin	Xin	MCU	Oscillation input 20MHz ceramic lock
16	Vcc1	Vcc	MCU	Power supply +3.3V of microprocessor
17	P85/NMI	NMI	MCU	Unused and so connect to Vcc
18	P84/INT2	ALARM	IRQ	Alarm interrupt input +3.3M/47k-ohms pull-up
19	P83/INT1	IPD_DET	IRQ	iPod detection / 47k pull-up
20	P82/INT0	-	O	Interrupt spare
21	P81/TA4in/U/CTS5/RTS5	IPAP_DET	I	iPod accessory power detection / 470k pull-down
22	P80/TA4out/U/RXD5/SCL5	IPD_MISO	SI	iPod UART communication
23	P77/TA3in/CLK5	-	O	470k pull-down
24	P76/TA3out/TXD5/SDA5	IPD_MOSI	SO	iPod UART communication
25	P75/TA2in/W	RTC_SDA	IO	RTC communication data input/output SPI 100k pull-down
26	P74/TA2out/W	RTC_SCL	O	RTC communication serial clock SPI (TSX)
27	P73/CTS2/RTS2/TA1in/V	RTC_N_CS	O	RTC communication chip select
28	P72/CLK2/TA1out/V	-	O	
29	P71/RXD2/SCL2/TA0in/TB5in	EP_SCL	SIO	EEPROM communication I2C +3.3S/3.3k-ohms pull-up
30	P70/TXD2/SDA2/TA0out	EP_SDA	SO	EEPROM communication I2C +3.3S/3.3k-ohms pull-up
31	P67/TXD1/SDA1	TXD1	MCU	For FLASH writing (TX) +3.3M/47k-ohms pull-up
32	P66/RXD1/SCL1	RXD1	MCU	For FLASH writing (RX) +3.3M/47k-ohms pull-up
33	P65/CLK1	CLK1	MCU	For FLASH writing (clock) +3.3M/47k-ohms pull-up
34	P64/CTS1/RTS1/CTS0/CLKS1	BUSY	MCU	BUSY signal output for FLASH writing
35	P63/TXD0/SDA0	CD_MOSI	SO	Communication with CD control LSI
36	P62/RXD0/SCL0	CD_MISO	SI	Communication with CD control LSI 100k pull-down
37	P61/CLK0	CD_SCK	SO	Communication with CD control LSI
38	P60/CTS0/RTS0	CD_CS	O	Chip select for CD control LSI
39	P57/RDY/CLKout	-	O	
40	P56/ALE	CD_N_RST	O	Reset to CD control LSI
41	P55/HOLD	/EMP	I	100k pull-down
42	P54/HLDA	LSW0	I	Loader switch 0 / 100k pull-up
43	P53/BCLK	LSW1	I	Loader switch 1 / 100k pull-up
44	P52/RD	DRV_MUTE	O	CD driver mute control / 47k pull-down

Pin No.	Port Name	Function Name (P.C.B.)	I/O	Detail of Function
45	P51/WRH/BHE	ICP_N_RST	O	Reset for iPod certified chip 47k pull-down
46	P50/WRL/WR	/CE	I	
47	P47/CS3/TXD7/SDA7	DSP_SDA	SIO	iPod certified chip/DSP communication I2C +3.3V/3.3k-ohms pull-up
48	P46/CS2/RXD7/SCL7	DSP_SCL	SO	iPod certified chip/DSP communication I2C +3.3V/3.3k-ohms pull-up
49	P45/CS1/CLK7	CD_OPEN	O	CD tray OPEN control
50	P44/CS0/CTS7/RTS7	CD_CLOSE	O	CD tray CLOSE control
51	P43/A19	USB_DET	I	USB detection / 47k pull-down
52	P42/A18	DSP_N_RST	O	Reset for DSP / Low = Reset
53	P41/A17	–	I	
54	P40/A16	–	O	
55	P37/A15	ADC_N_RST	O	Reset control to ADC / Low = Reset
56	P36/A14	DAC_MUTE	O	MUTE control to ADC / Hi = Mute ON Pulled down inside of DAC
57	P35/A13	–	O	
58	P34/A12	AU_SELO	O	Analog audio input selector control AU_SEL [1:0] = 00: iPod 01: TUNER 10: --- 11: AUX (TSX-120 model)
59	P33/A11	AU_SEL1	O	Analog audio input selector control
60	P32/A10	AMP_MUTE	O	D-AMP mute control / +3.3A/100k pull-up
61	P31/A9	AMP_SLEEP	O	D-AMP sleep control / +3.3A/100k pull-up
62	Vcc2	Vcc	MCU	Power supply +3.3V of microprocessor
63	P30/A8	–	O	
64	Vss	Vss	MCU	Ground of microprocessor
65	P27/A7/AN27	USB_N_PON	O	ON/OFF control of USB power supply Used for open drain / Low = ON
66	P26/A6/AN26	USB_N_OC	I	USB excess current detection flag Low = Excess current detected
67	P25/A5/AN25/INT7	AMP_PRT	IRQ	D-AMP error detection / Low = Error / +3.3A/100k pull-up
68	P24/A4/AN24/INT6	CD_SPEED	O	CD tracking gain select control Usually: Hi output While CD playing: Low under condition of Vol = 50
69	P23/A3/AN23	–	O	
70	P22/A2/AN22	KEY2	AD	KEY2 AD value taken in
71	P21/A1/AN21	–	I	
72	P20/A0/AN20	–	I	
73	P17/D15/INT5	PWR_DET	IRQ	Power detected
74	P16/D14/INT4	P_SW	IRQ	Power switch detection / 47k pull-down
75	P15/D13/INT3	REMOTE	IRQ	Remote control pulse reception / +3.3M/47k-ohms pull-up
76	P14/D12	DRD_N_RST	O	
77	P13/D11/TXD6/SDA6	DAB_SDA	SO	
78	P12/D10/RXD6/SCL6	DAB_SCL	SI	
79	P11/D9/CLK6	–	O	
80	P10/D8/CTS6/RTS6	3..3D_PON	O	ON/OFF control of power line for CD, USB Hi = ON / Spare
81	P07/D7/AN07	TUN_MUTE	O	TUNER MUTE control / 3.3V to 5.0V conversion
82	P06/D6/AN06	TUN_ST	I	TUNER STEREO detection input / 5.0V to 3.3V conversion
83	P05/D5/AN05	TUN_N_TUND	I	TUNER TUNED input / 5.0V to 3.3V conversion
84	P04/D4/AN04	FL_N_CS	O	FL driver chip select
85	P03/D3/AN03	FL_N_RST	O	FL driver reset

Pin No.	Port Name	Function Name (P.C.B.)	I/O	Detail of Function
86	P02/D2/AN02	FL_PON	O	ON/OFF control of VP power supply for FL Hi = ON 47k pull-down ON/OFF control of DC-DC for CD/USB Used also for CLK output ON/OFF of RTC
87	P01/D1/AN01	PRY_CTRL	O	Power relay control / 47k pull-down
88	P00/D0/AN00	IPD_PON	O	iPod charging power ON/OFF control Hi = ON / 47k pull-down
89	P107/AN7/KI3	IPAU_DET	AD	iPod audio signal detection Whether audio signal from iPod present or not judged with AD value
90	P106/AN6/KI2	PS2_PRT	AD	Main power supply abnormality monitored
91	P105/AN5/KI1	PS1_PRT	AD	Abnormality of FL system power supply monitored
92	P104/AN4/KI0	LUMI	AD	Illuminance sensor AD value input
93	P103/AN3	MODEL	AD	Model identification
94	P102/AN2	DEST	AD	Destination identification
95	P101/AN1	KEY1	AD	KEY1 AD value taken in / 3.3M/10k-ohms pull-up
96	Avss	Avss	MCU	AD ground
97	P100/AN0	KEY0	AD	KEY0 AD value taken in / 3.3M/10k-ohms pull-up
98	Vref	Vref	MCU	AD reference 3.3V
99	Avcc	Avcc	MCU	AD power supply 3.3V
100	P97/Adtrg/Sin4	RDS_MISO	SI	RDS data input / 47k pull-down (G model)

TSX-130

Key input (A-D) pull-up resistance 10 k-ohms

Ohm	0	+1.5k	+1.8k	+2.7k	+3.9k	+6.8k	+12.0k	+33.0k	∞
V	0 - 0.2	0.2 - 0.6	0.6 - 1.0	1.0 - 1.4	1.4 - 1.8	1.9 - 2.2	2.3 - 2.6	2.6 - 3.1	3.1 - 3.3
KEY0 (97pin/AN0)	SNOOZE	PLAY/PAUSE	STOP	OPEN/CLOSE	FORWARD	REVERSE	VOLUME +	VOLUME -	OFF
KEY1 (95pin/AN1)	ALARM 1	ALARM 2	SET 1	SET 2	-	ENTER	+		OFF
KEY2 (70pin/AN22)	iPod	FM	USB	CD					OFF

TSX-120

Key input (A-D) pull-up resistance 10 k-ohms

Ohm	0	+1.5k	+1.8k	+2.7k	+3.9k	+6.8k	+12.0k	+33.0k	∞
V	0 - 0.2	0.2 - 0.6	0.6 - 1.0	1.0 - 1.4	1.4 - 1.8	1.9 - 2.2	2.3 - 2.6	2.6 - 3.1	3.1 - 3.3
KEY0 (97pin/AN0)	SNOOZE			FORWARD	REVERSE	PLAY/PAUSE	VOLUME +	VOLUME -	OFF
KEY1 (95pin/AN1)	ALARM 1	ALARM 2	SET 1	SET 2	-	ENTER	+		OFF
KEY2 (70pin/AN22)	iPod	FM	AUX		TUNING <	TUNING >	PRESET <	PRESET >	OFF

Model distinction for AD port / モデル判別ポート

Ohm	0k	1.5k	3.3k	6.8k
V	0 - 0.2	0.2 - 0.6	0.7 - 1.0	1.1 - 1.5
A-D (3.3V=255) DEST (AN3) 93pin	0 - 16	17 - 48	49 - 83	84 - 121
	TSX-120	TSX-130	(TSX-120 DAB)	(TSX-130 DAB)

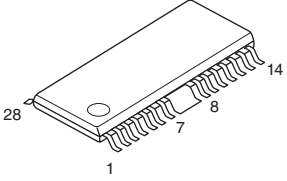
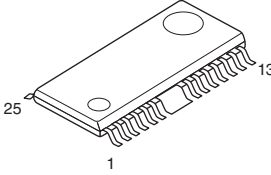
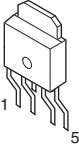
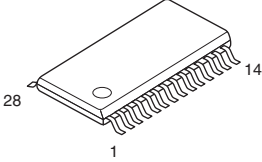
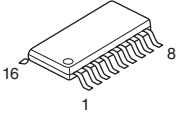
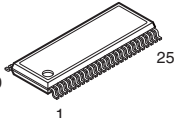
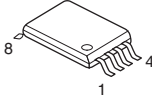
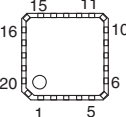
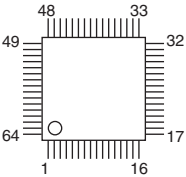
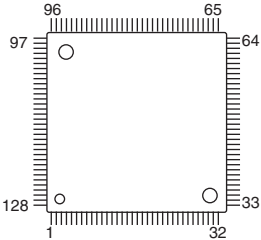
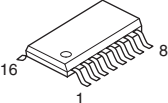
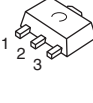
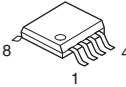
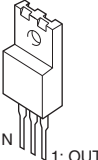
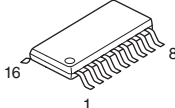
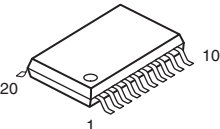
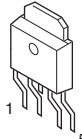
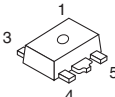
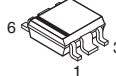
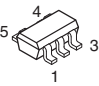
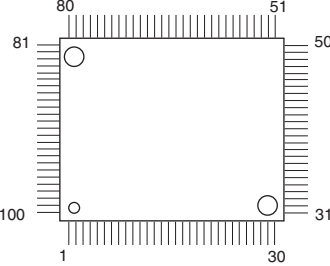
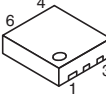
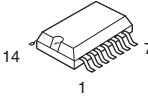
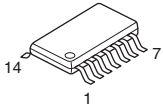
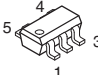
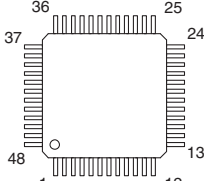
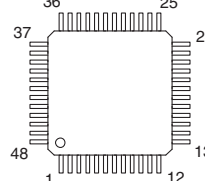
Destination for AD Port / 仕向け判別ポート

Pull-up resistance 10 k-ohms

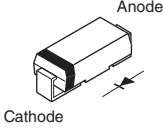
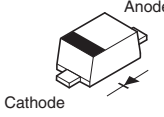
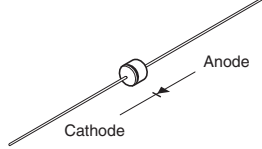
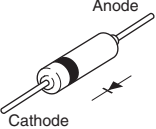
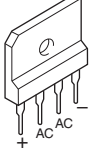
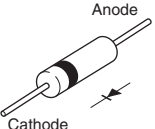
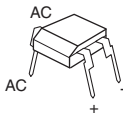
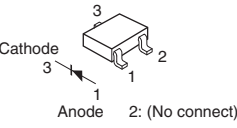
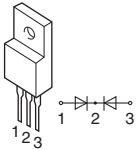
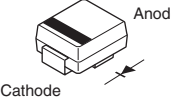
Ohm	0.0k	3.3k	6.8k	47.0k	∞
V	0 - 0.2	0.6 - 1.0	1.1 - 1.5	2.0 - 2.5	3.0 - 3.3
A-D (3.3V=255) DEST (AN2) 94pin	0 - 16	49 - 83	84 - 121	158 - 193	234 - 255
	U	J	T, K, L, V	(A, B)	G

PIN CONNECTION DIAGRAMS

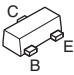
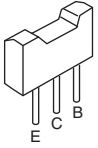

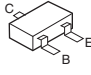
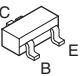
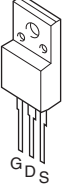
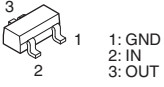
• ICs

<p>AN41010A-VF</p> 	<p>BD9302FP-E2</p> 	<p>BD9870FPS-E2</p> 	<p>L6566BTR</p> 	
<p>LC72725KM-UY-TLM-E</p> 	<p>M12L16161A-7TG</p> 	<p>M24C02-RDW6TP</p> 	<p>MFI341S2160</p> 	<p>MN103SFB5KYAA</p> 
<p>MN6627971YB</p> 	<p>NJM2750M-TE2</p> 	<p>NJM431U</p>  <p>1: REFERENCE 2: ANODE 3: CATHODE</p>	<p>NJM4580V-TE2</p> 	<p>NJM7812FA</p>  <p>3: IN 2: COM 1: OUT</p>
<p>PCM1781DBQR</p> 	<p>PCM1803DBR</p> 	<p>PQ200WNA1ZPH</p> 	<p>R1154H001C-T1-F</p> 	<p>R1172S331B-E2-F</p> 
<p>R5523N001A-TR-F</p> 	<p>R5F3640DNFA</p> 	<p>RP102K181D-TR</p> 	<p>RX-4571SA A</p> 	
<p>TC74VHC08FT TC74VHCT08AFT</p> 	<p>TC7SH04FU-TE85L</p> 	<p>YDA147-SZE2</p> 	<p>YSS951-VZ</p> 	

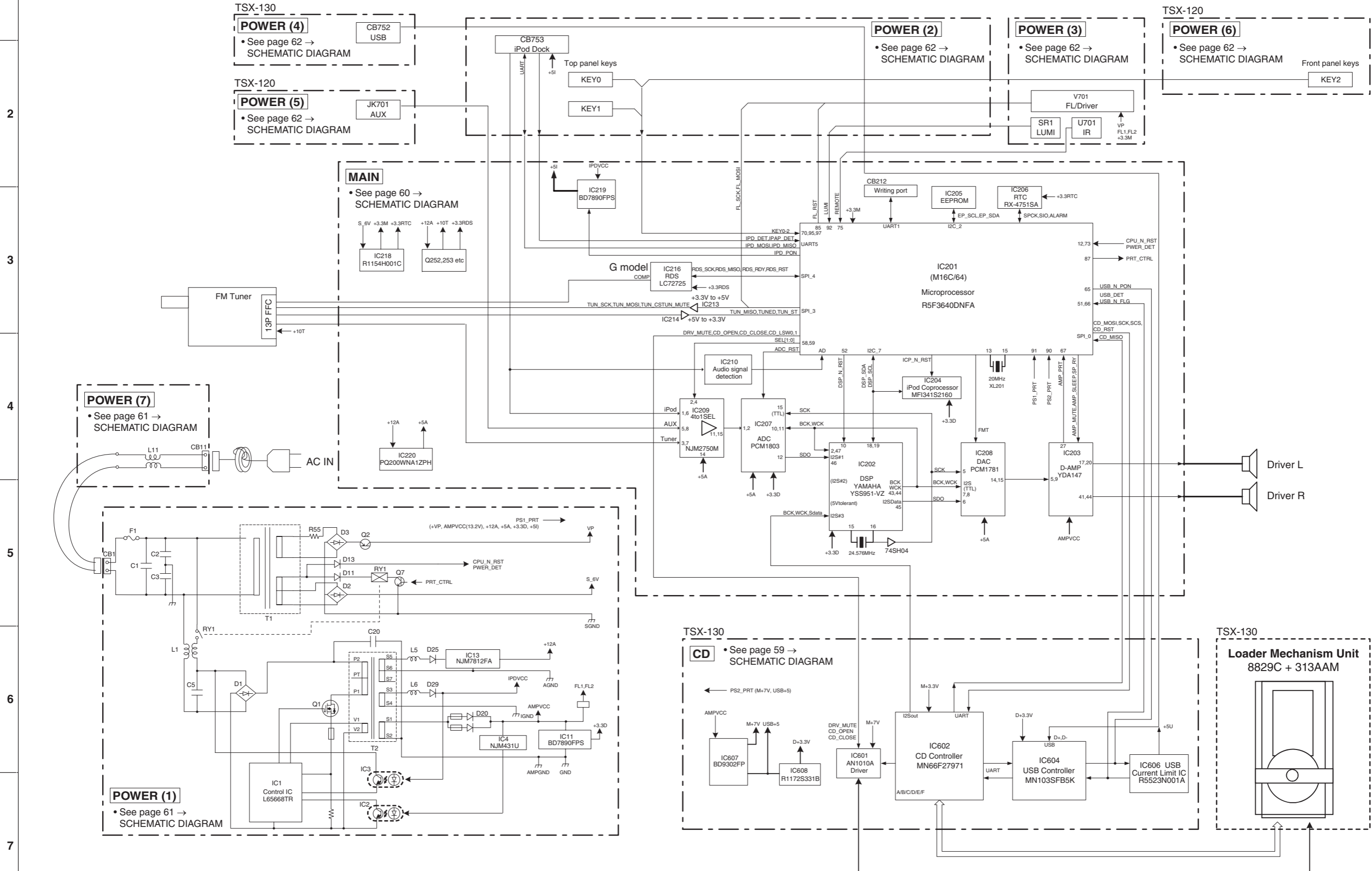
• Diodes

<p>1SR154-400 D1FK60-5063 D1FL20U-5063 RB050L-40</p> 	<p>1SS355 1SS380 MA8039 3.9V MA8047-L 4.6V MA8051-L 5.0V MA8068-M 6.8V MA8100-H 10.3V MA8160-H 16.7V MA8220-M 22.0V MAZ8140GML 14V</p> <p>RB050LA-40TR TP RB160M-30 RB500V-40 RB501V-40</p> 	<p>D1NL20U-5083</p> 	
<p>D3S6M-7002</p> 	<p>D5SBA60</p> 	<p>P6KE200ARL</p> 	<p>S1NB20 1A 200V</p> 
<p>SB01-05Q</p> 	<p>SF15NC15M</p> 	<p>STTH110A</p> 	

• Transistors

<p>2SA1037K</p> 	<p>2SA1708 2SC4488</p> 	<p>2SC1815 Y</p> 	<p>2SC2412K</p> 
<p>2SB709A 2SC3326-A (TE85R, F) 2SC3326-B (TE85R, F)</p> 	<p>2SK3679-01MR 2SK3683-01MR</p> 	<p>DTA144EKA DTC123JKA DTC144EKA</p> 	

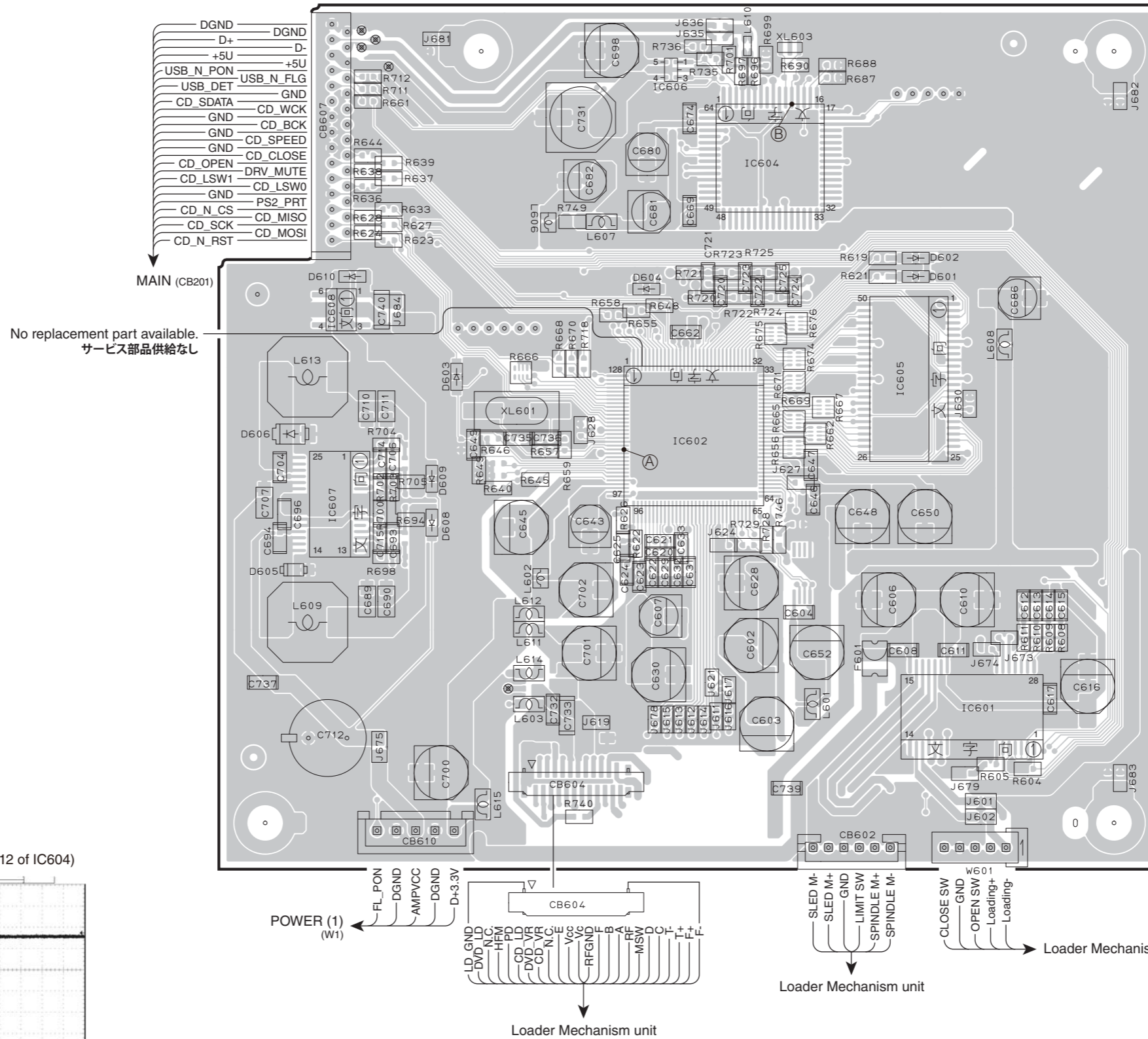
1 ■ BLOCK DIAGRAM



PRINTED CIRCUIT BOARDS

TSX-130

CD P.C.B. (Side A)

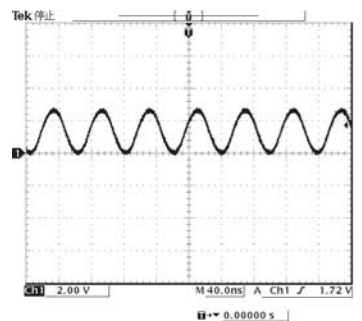


• Semiconductor Location

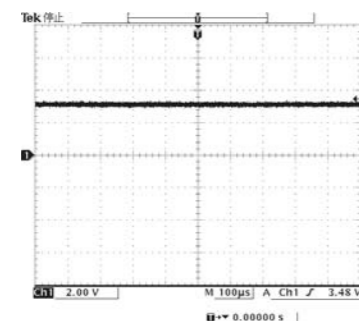
Ref No.	Location
D601	H3
D602	H3
D603	E4
D604	F3
D605	D5
D606	D4
D608	E4
D609	E4
D610	E3
IC601	H5
IC602	F4
IC604	G3
IC605	H4
IC606	F2
IC607	E4
IC608	E3

No replacement part available.
サービス部品供給なし

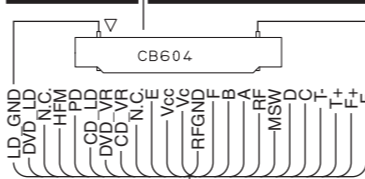
POINT ① XL601 (Pin 109 of IC602)



POINT ② XL603 (Pin 12 of IC604)



POWER (1)
(W1)



Loader Mechanism unit

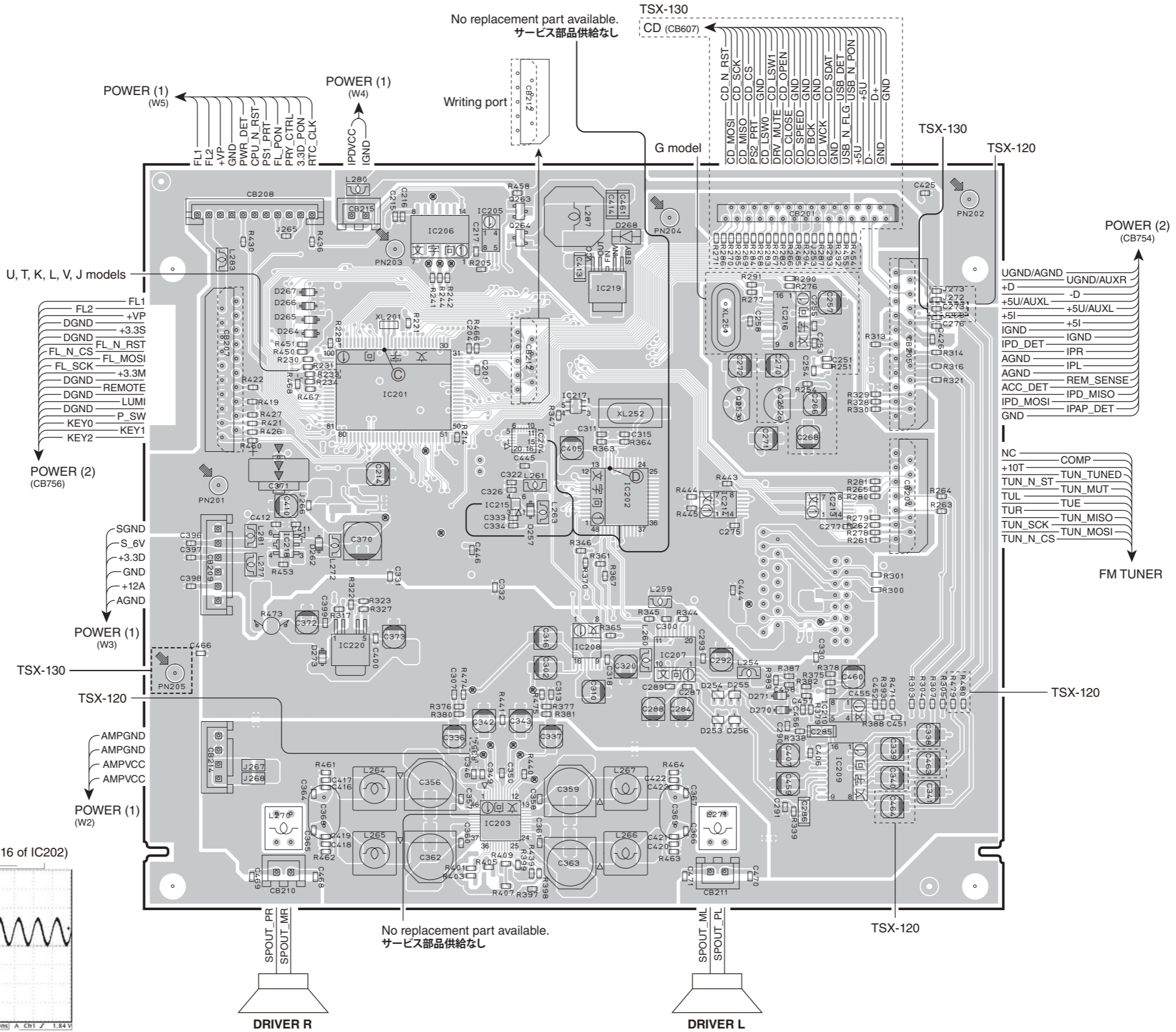
Loader Mechanism unit

Loader Mechanism unit

MAIN P.C.B. (Side A)

TSX-130

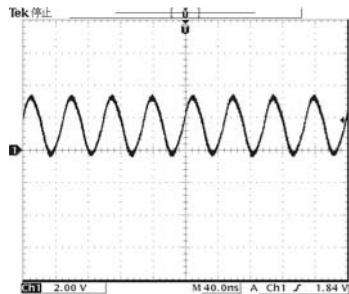
TSX-120



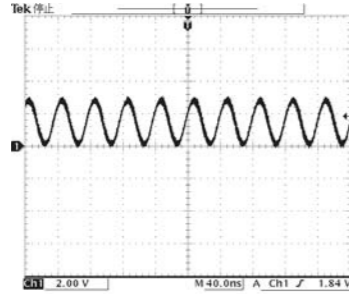
• Semiconductor Location

Ref No.	Location
D253	G5
D254	G5
D255	G5
D256	G5
D257	F4
D262	E4
D264	E3
D265	E3
D266	E3
D267	E3
D268	F3
D270	G5
D271	G5
D273	E5
IC201	E3
IC202	F4
IC203	F6
IC204	F4
IC205	F3
IC206	E3
IC207	G5
IC208	F5
IC209	H6
IC210	H5
IC213	H4
IC214	G4
IC215	F4
IC216	G3
IC217	F4
IC218	D4
IC219	F3
IC220	E5
Q252	G4
Q253	G4
Q263	F2
Q264	F3

POINT © XL201 (Pin 13 of IC201)



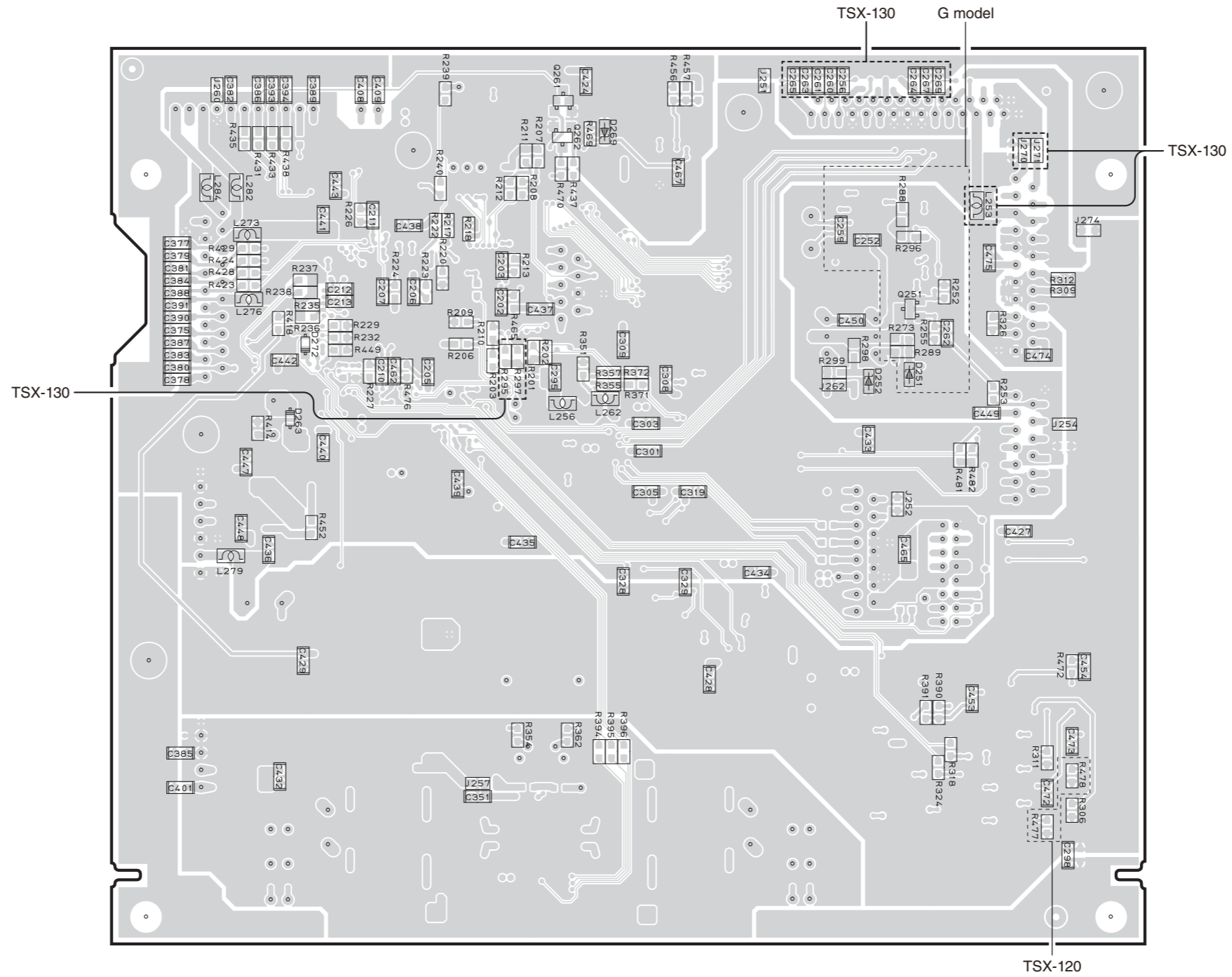
POINT ④ XL252 (Pin 16 of IC202)



TSX-130

TSX-120

MAIN P.C.B. (Side B)



• Semiconductor Location

Ref No.	Location
D251	G4
D252	G4
D263	D4
D269	E3
D272	D4
Q251	G3
Q261	E2
Q262	E3

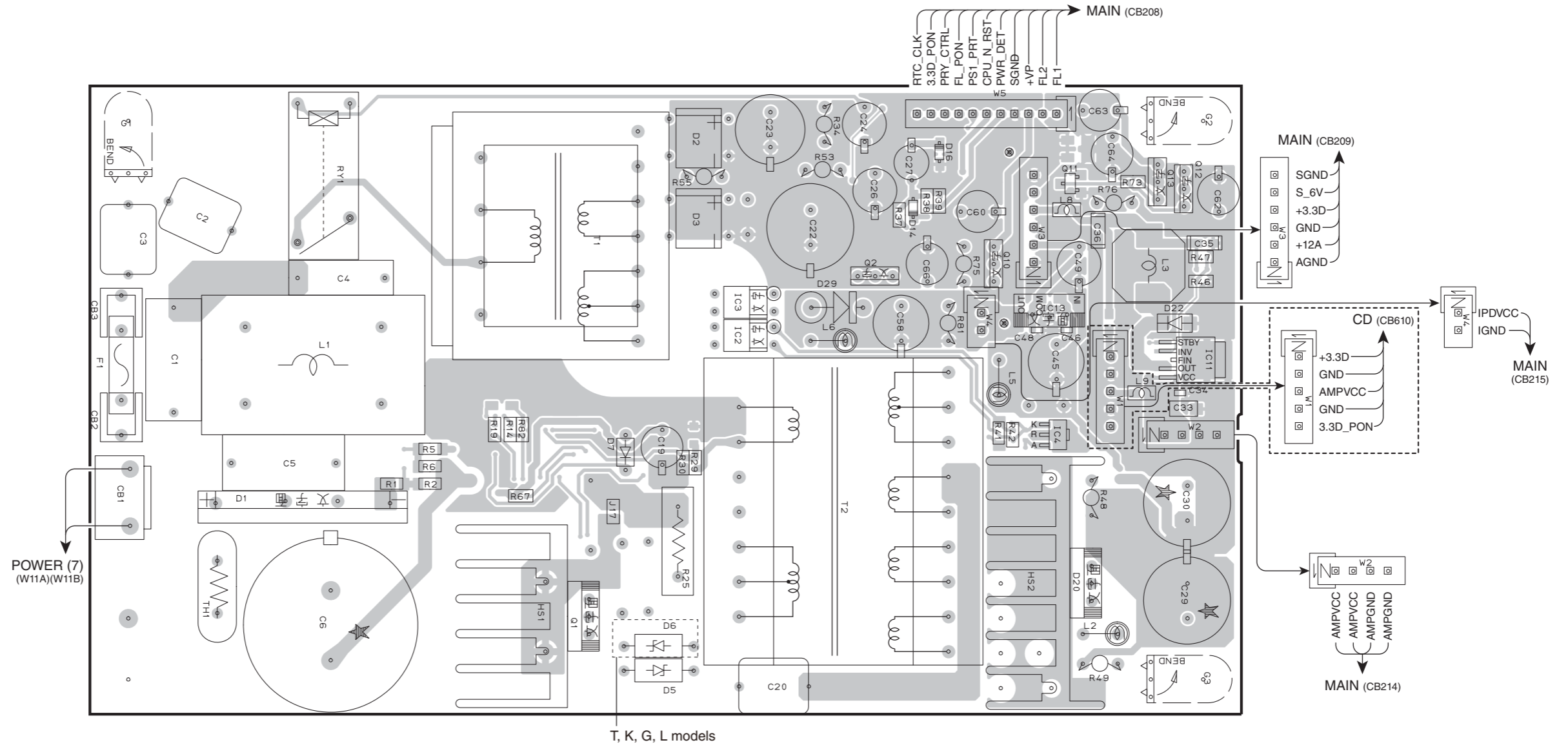
TSX-130

TSX-120

POWER (1) P.C.B. (Side A)

• Semiconductor Location

Ref No.	Location
D1	D5
D2	F3
D3	F3
D5	F5
D6	F5
D7	F4
D14	G3
D16	G3
D20	H5
D22	H4
D29	G4
IC2	F4
IC3	F4
IC4	H4
IC11	I4
IC13	H4
Q1	E5
Q2	G3
Q10	H3
Q11	H3
Q12	I3
Q13	H3



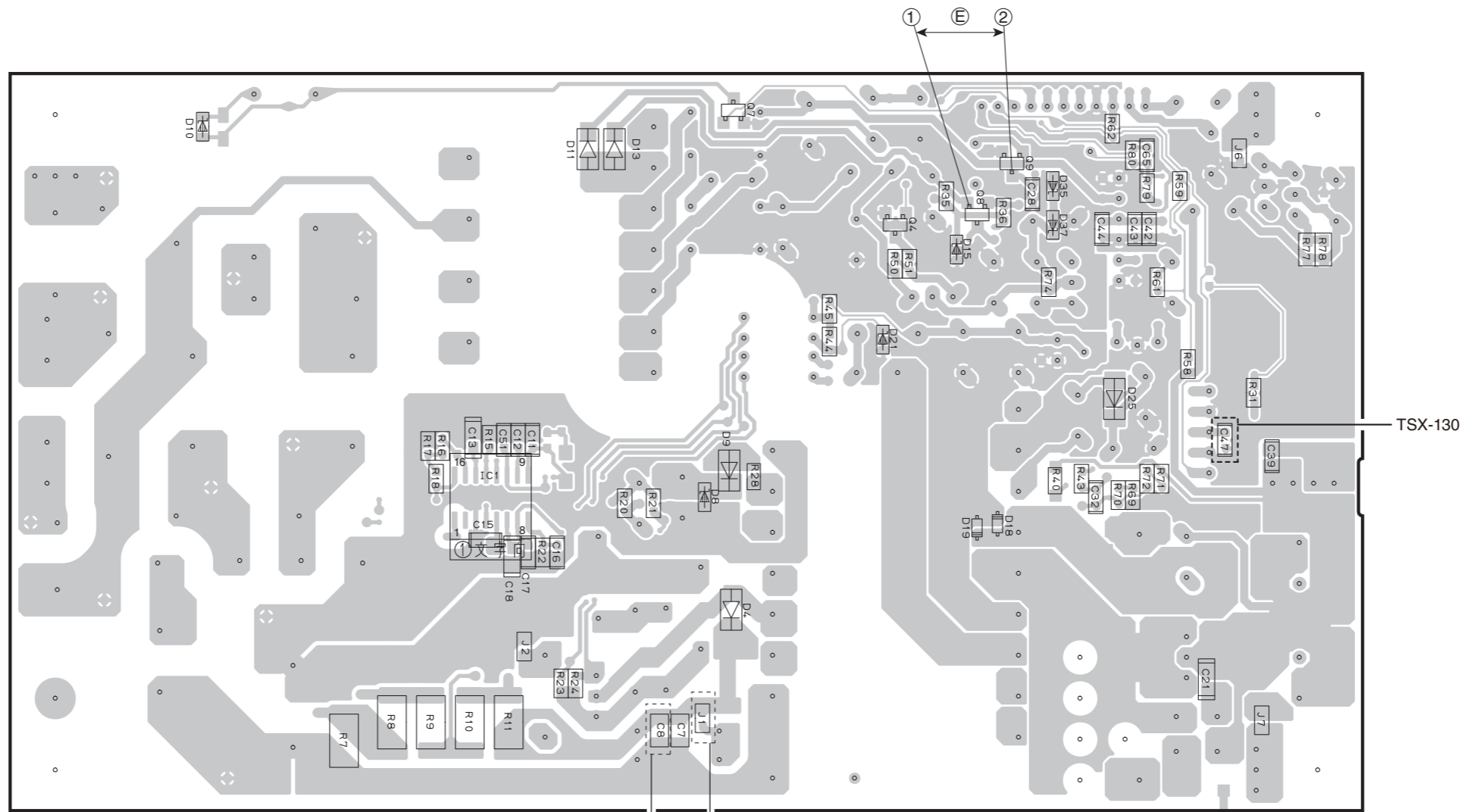
T, K, G, L models

TSX-130 TSX-120

POWER (1) P.C.B. (Side B)

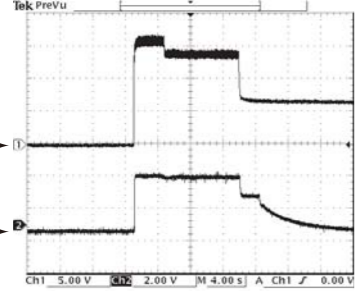
• Semiconductor Location

Ref No.	Location
D4	F5
D8	E4
D9	F4
D10	C3
D11	E3
D13	E3
D15	G3
D18	G4
D19	G4
D21	F4
D25	G4
D35	G3
D37	G3
IC1	D4
Q4	F3
Q7	F3
Q8	G3
Q9	G3

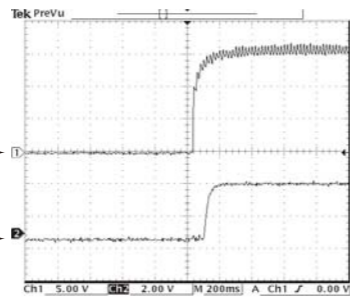


T, K, G, L models U, V, J models

POINT E ①/ Q8, ②/ Q9

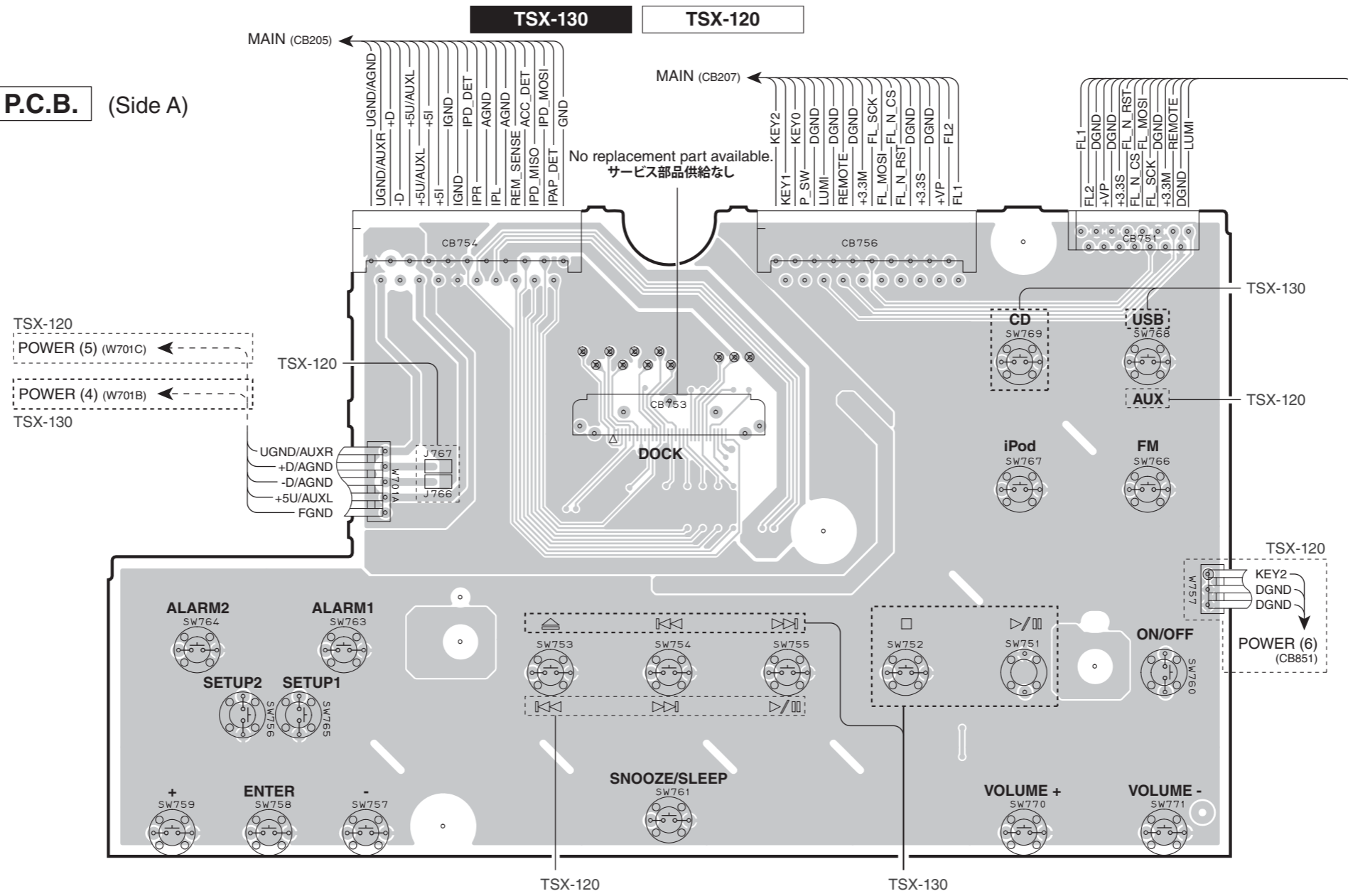


POWER cable ON POWER cable OFF

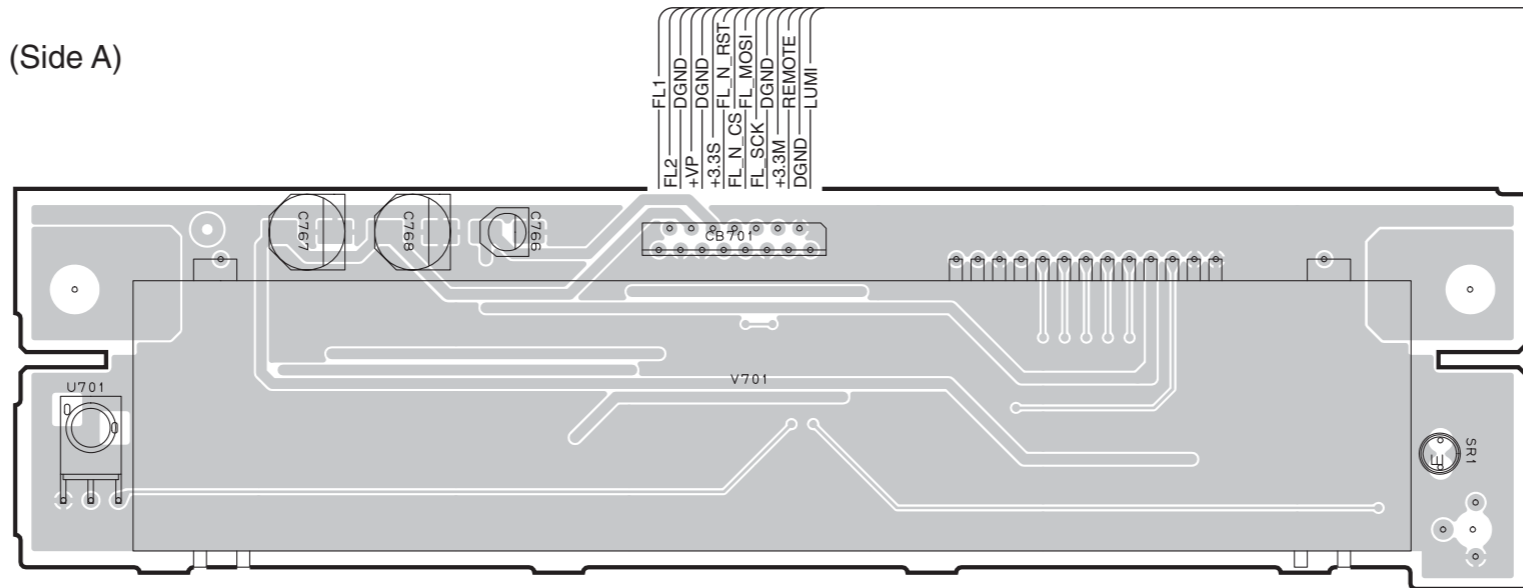


POWER cable ON

POWER (2) P.C.B. (Side A)



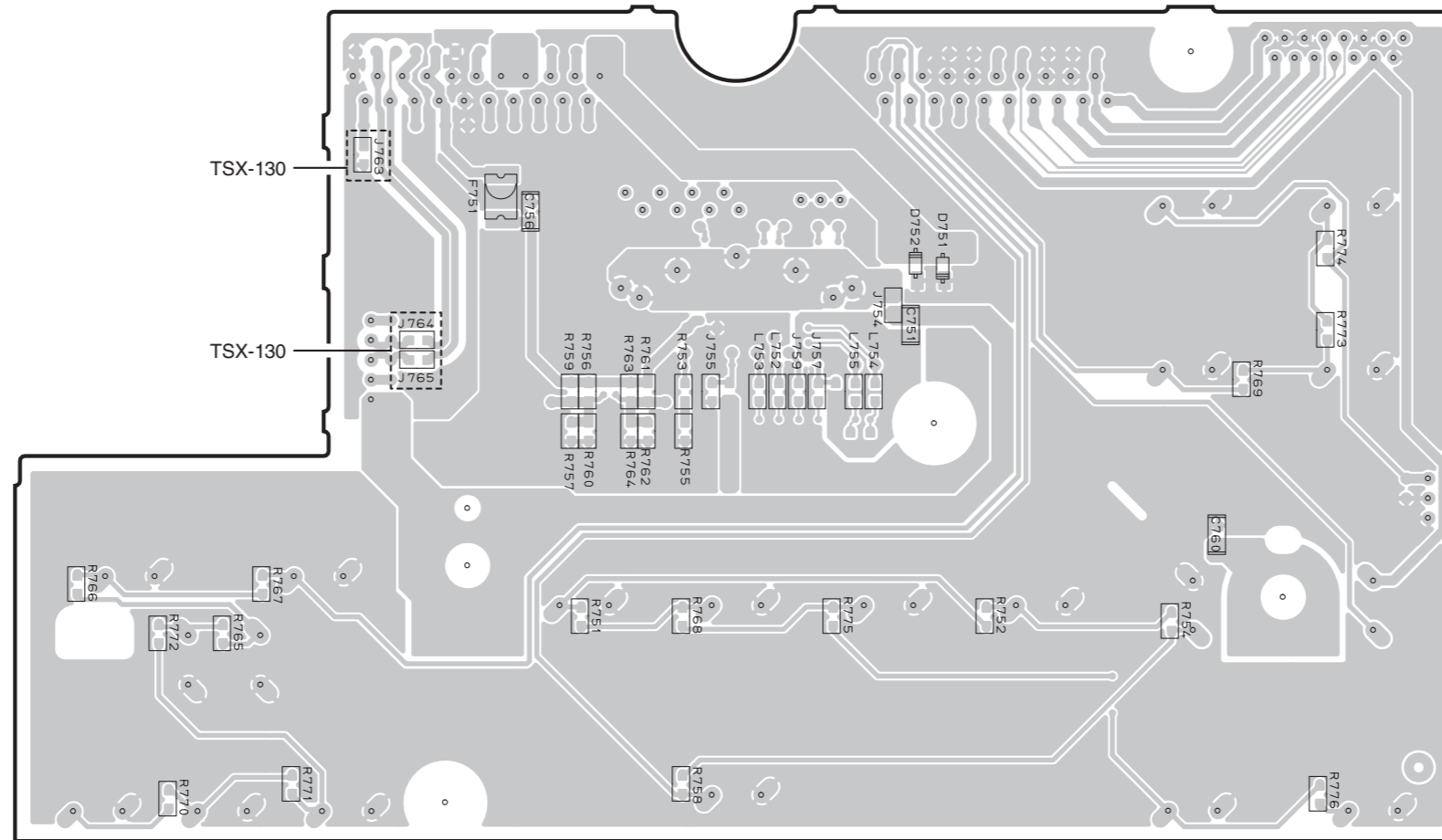
POWER (3) P.C.B. (Side A)



TSX-130

TSX-120

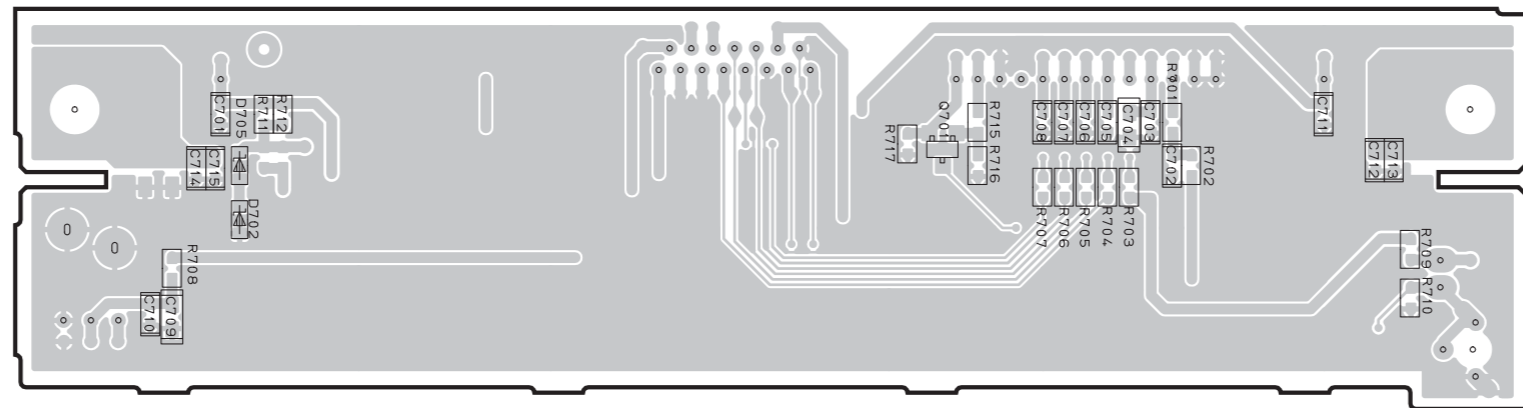
POWER (2) P.C.B. (Side B)



• Semiconductor Location

Ref No.	Location
D702	C7
D705	C6
D751	F3
D752	F3
Q701	F6

POWER (3) P.C.B. (Side B)

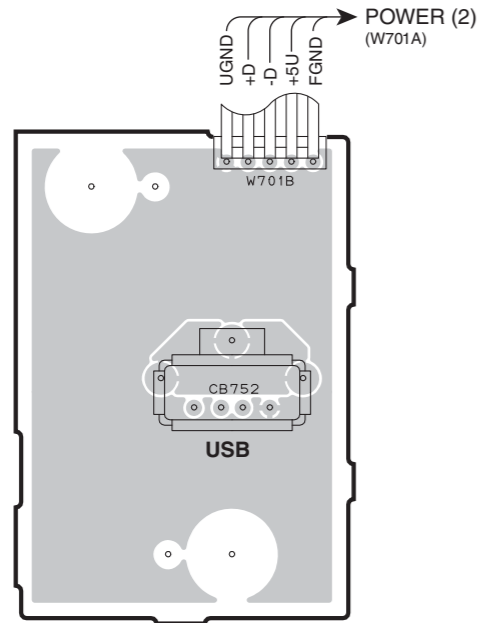


TSX-130

TSX-120

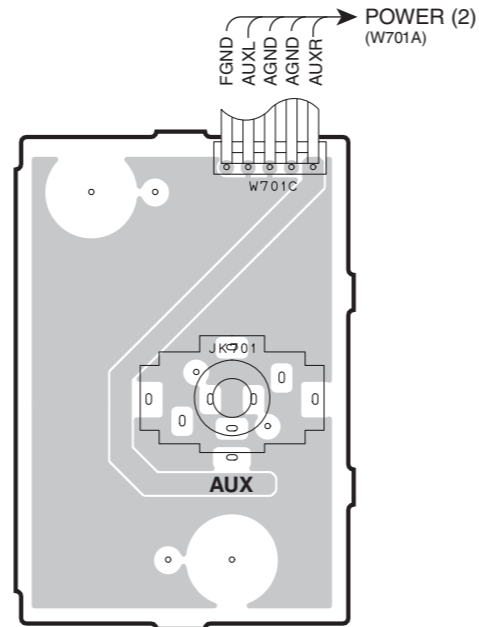
POWER (4) P.C.B. (Side A)

TSX-130

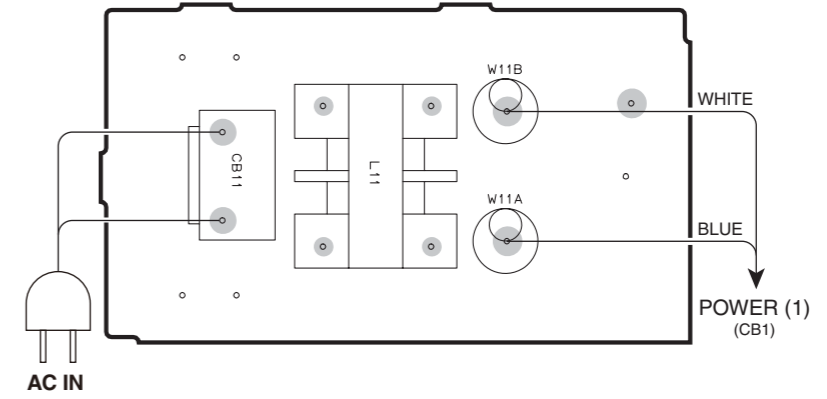


POWER (5) P.C.B. (Side A)

TSX-120

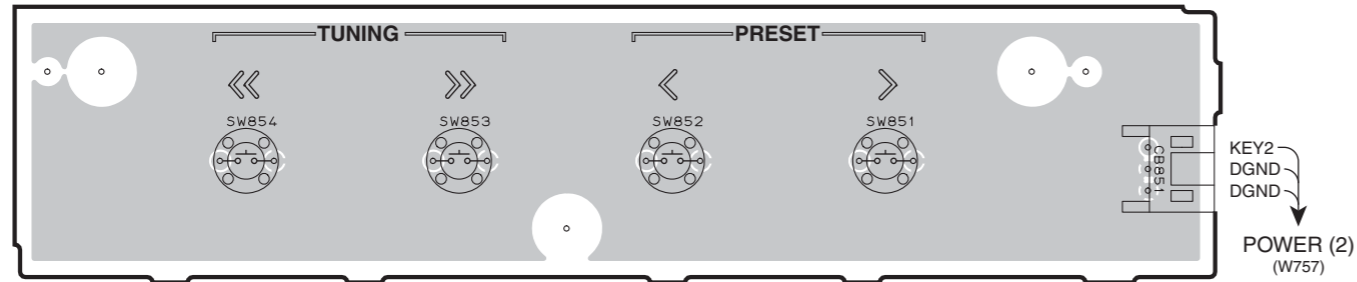


POWER (7) P.C.B. (Side A)



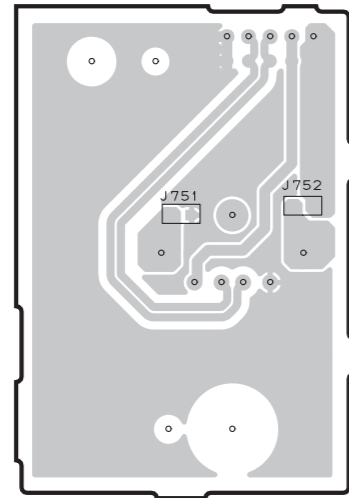
POWER (6) P.C.B. (Side A)

TSX-120

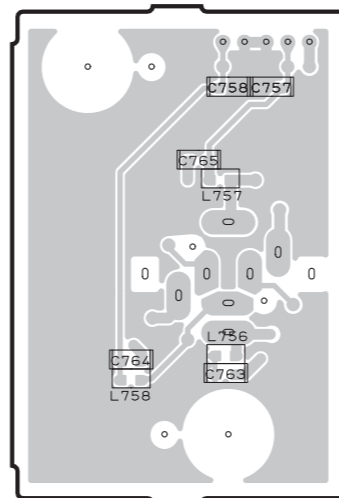


TSX-130 **TSX-120**

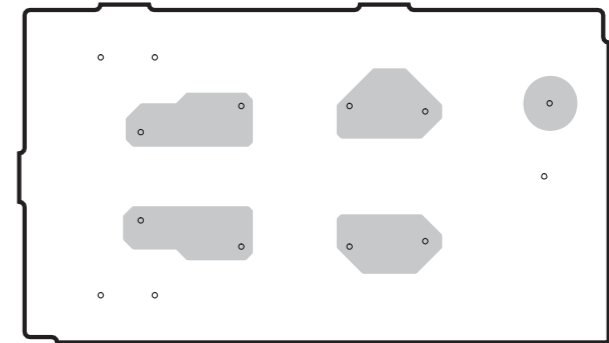
POWER (4) P.C.B. (Side B)
TSX-130



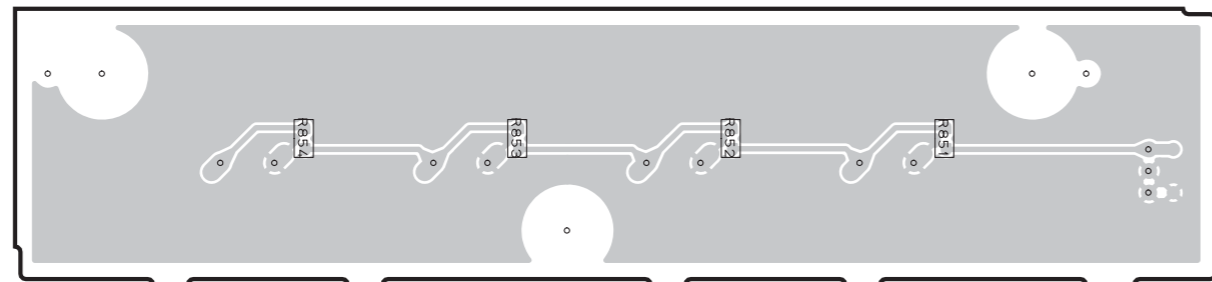
POWER (5) P.C.B. (Side B)
TSX-120

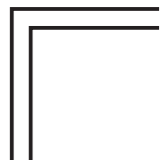


POWER (7) P.C.B. (Side B)

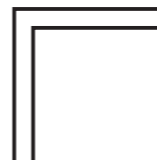
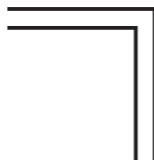


POWER (6) P.C.B. (Side B)
TSX-120

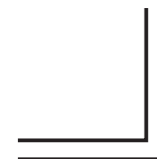
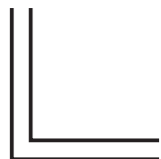
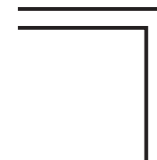




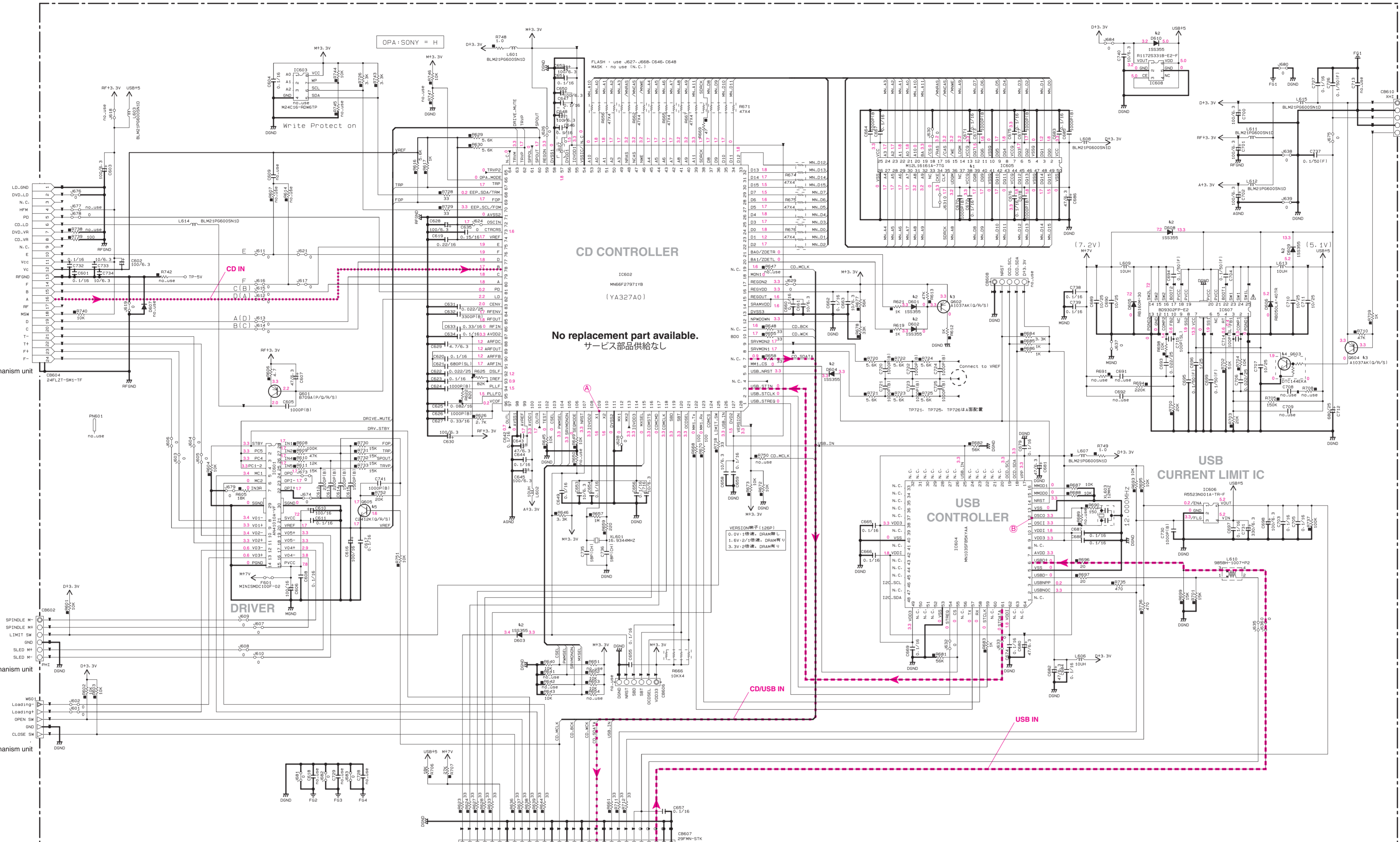
MEMO



MEMO

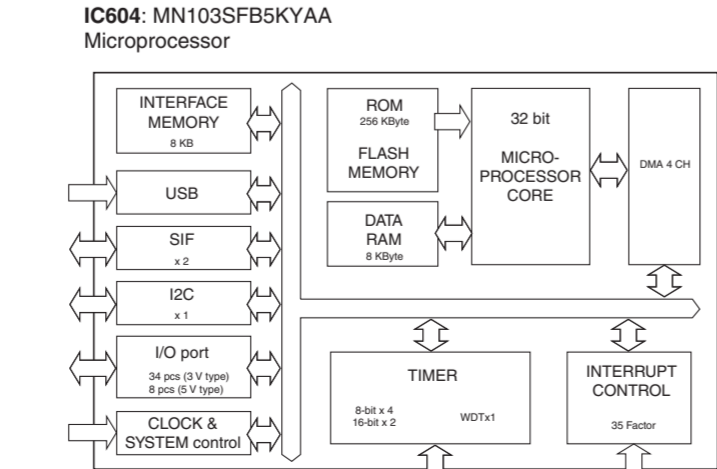
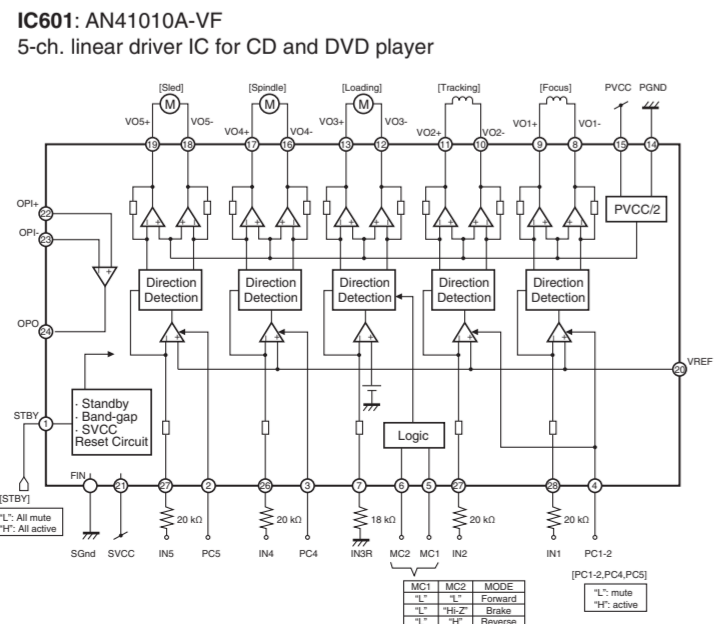
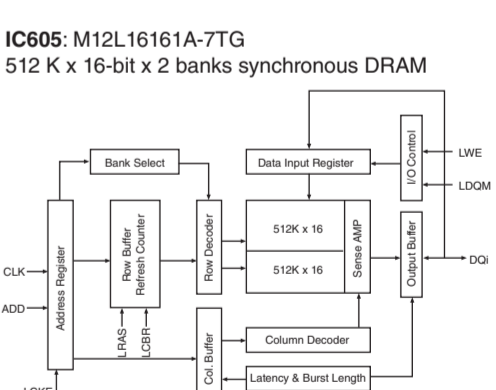
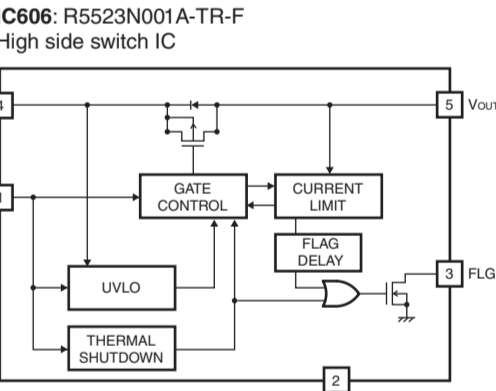
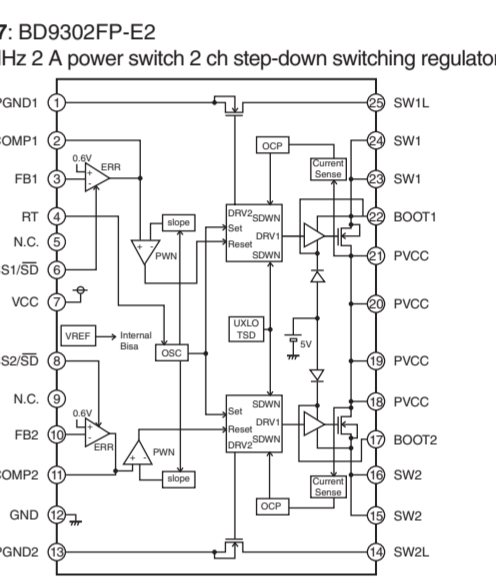
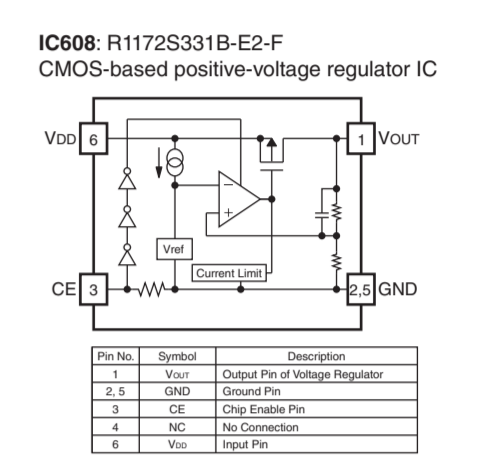


1
2
3
4
5
6
7
8
9
10



No replacement part available.
サービス部品供給なし

Page 61
to POWER (1)_W1



NOTICE (mode1)
(J)..... JAPAN
(U)..... U. S. A.
(C)..... CANADA
(R)..... GENERAL
(T)..... CHINA
(K)..... KOREA
(A)..... AUSTRALIA
(B)..... BRITISH
(G)..... EUROPE
(L)..... SINGAPORE
(E)..... SOUTH EUROPE
(V)..... TAIWAN
(F)..... RUSSIAN

RESISTOR

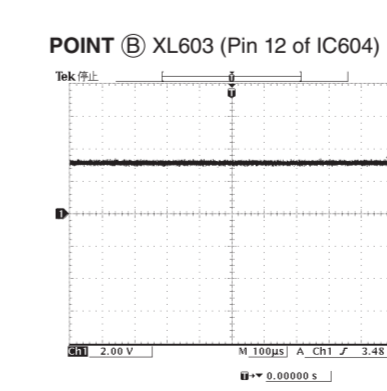
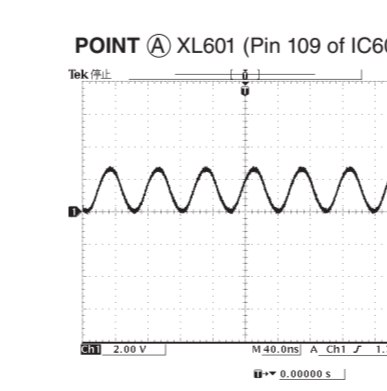
REMARKS	PARTS NAME
NO MARK	ELECTROLYTIC CAPACITOR
NO MARK	TANTALUM CAPACITOR
NO MARK	CERAMIC CAPACITOR
⊙	CERAMIC TUBULAR CAPACITOR
⊖	POLYESTER FILM CAPACITOR
⊕	POLYSTYRENE FILM CAPACITOR
⊘	MICA CAPACITOR
⊙	POLYPROPYLENE FILM CAPACITOR
⊖	CEMENT MOLDED RESISTOR
⊕	SEMI VARIABLE RESISTOR
⊖	CHIP RESISTOR

CAPACITOR

REMARKS	PARTS NAME
NO MARK	ELECTROLYTIC CAPACITOR
NO MARK	TANTALUM CAPACITOR
NO MARK	CERAMIC CAPACITOR
⊙	CERAMIC TUBULAR CAPACITOR
⊖	POLYESTER FILM CAPACITOR
⊕	POLYSTYRENE FILM CAPACITOR
⊘	MICA CAPACITOR
⊙	POLYPROPYLENE FILM CAPACITOR
⊖	CEMENT MOLDED RESISTOR
⊕	SEMI VARIABLE RESISTOR
⊖	CHIP RESISTOR

Interchangeable Parts at Manufacture-Stage

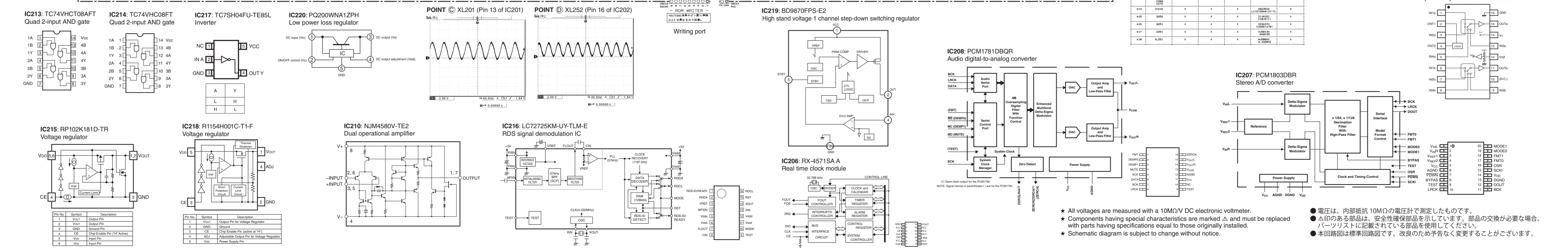
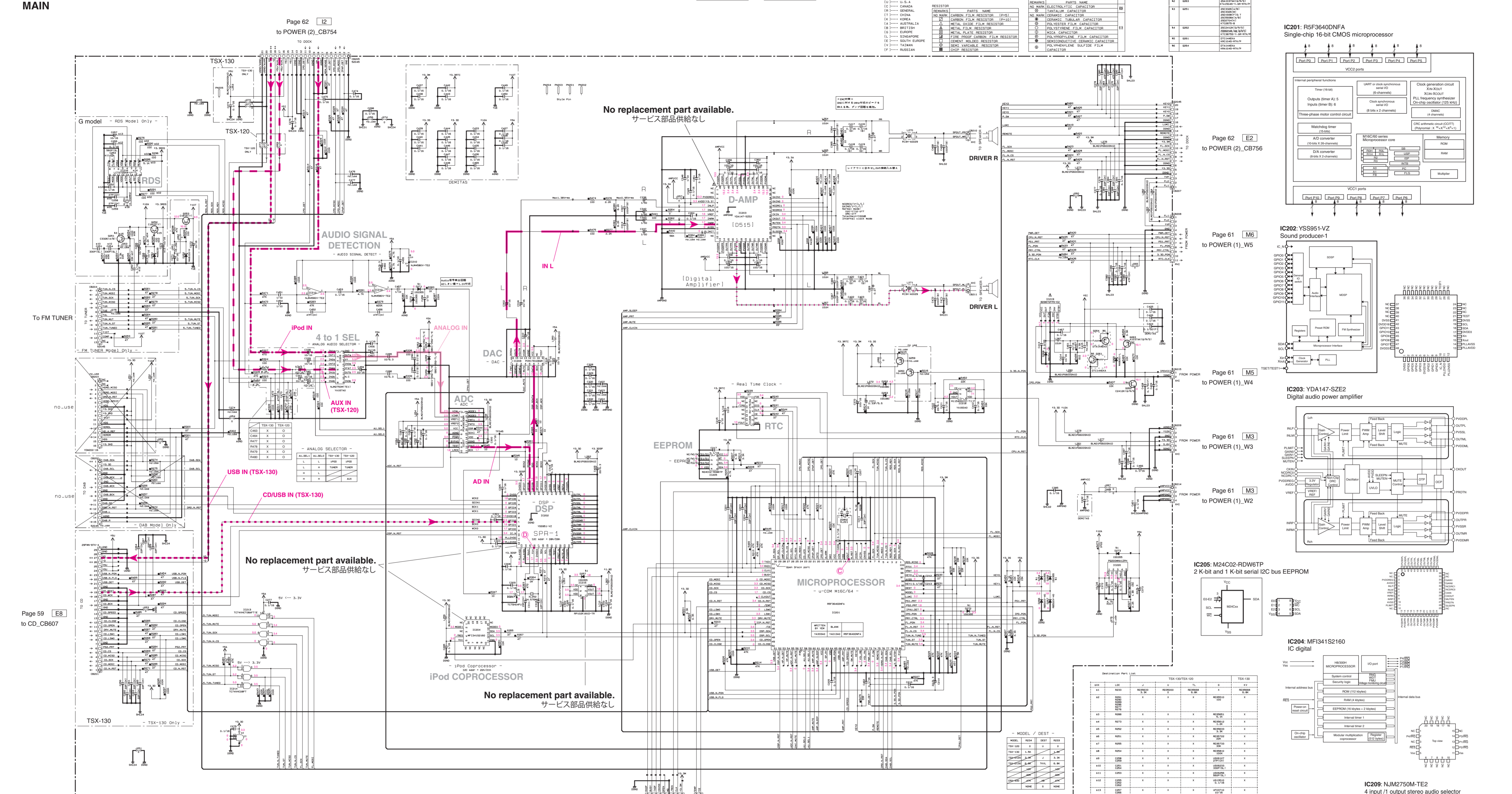
Mark	Reference Parts Number	Parts Name
41	IC605	M12L1616A-7TG SDR IS42S161600E-7TL
42	D601-604-608-610	153355 M4211150L KDS160-RTK/P
43	602-604	2S41037AK(I/R/P/S) KTA1504S-V-GR-RTK/P
44	603	01C1464K KRC104S-RTK/P
45	605	2SC2412K(I/R/P/S) 2SD2013M(I/R/P/S) KTC2875S-T-GR-RTK/P



★ All voltages are measured with a 10MΩ DC electronic voltmeter.
★ Components having special characteristics are marked Δ and must be replaced with parts having specifications equal to those originally installed.
★ Schematic diagram is subject to change without notice.

● 電圧は、内部抵抗 10MΩの電圧計で測定したものです。
● △印のある部品は、安全性確保部品を示しています。部品の交換が必要な場合、パーツリストに記載されている部品を使用してください。
● 本回路図は標準回路図です。改良のため予告なく変更することがございます。

Page 60 B6
to MAIN_CB201



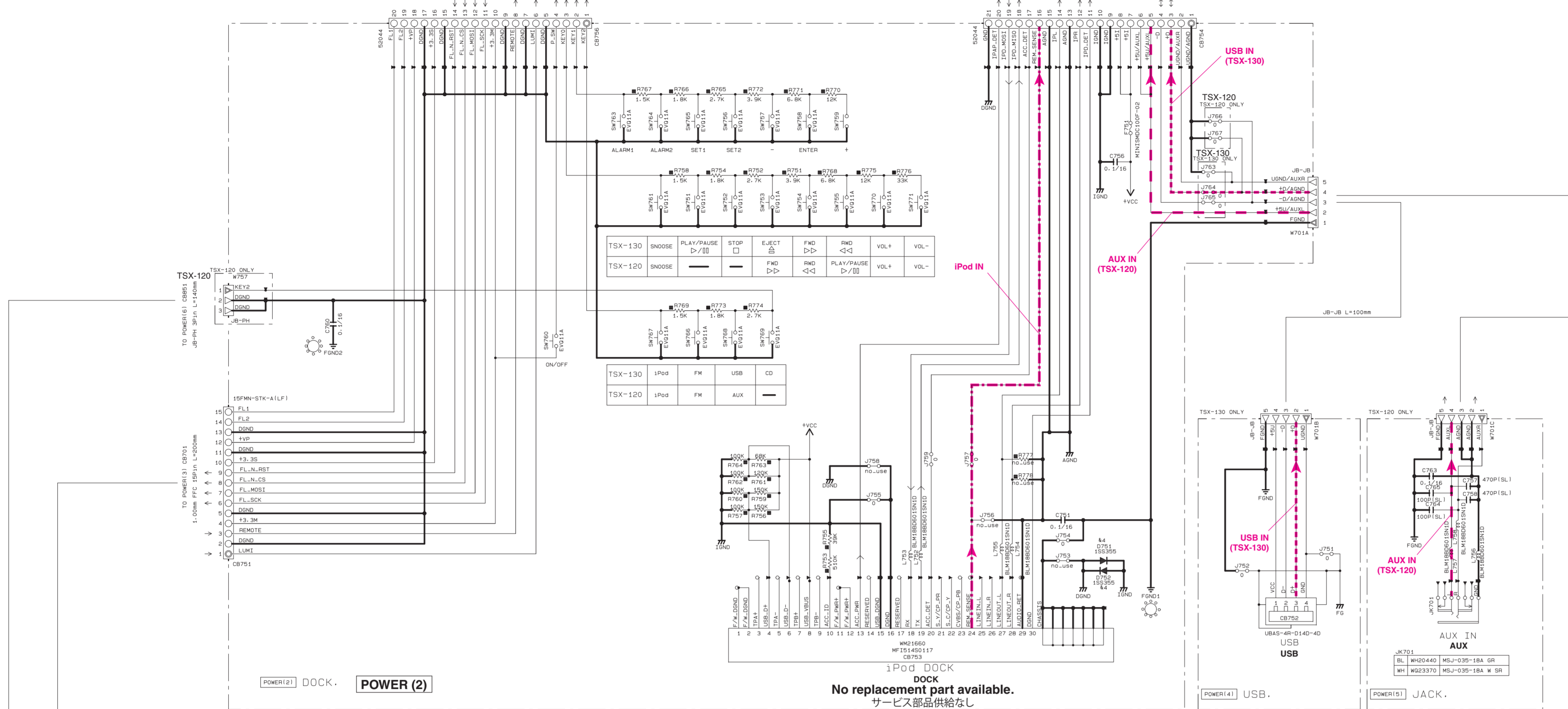
★ All voltages are measured with a 10MΩ/V DC electronic voltmeter. ● 電圧は、内部抵抗 10MΩの電圧計で測定したものです。 ● 印のある部品は、安全性確保部品を示しています。 ● 本回路図は標準回路図です。改良のため予告なく変更することがございます。

Page 60 L2
to MAIN_CB207

FROM MAIN CB207
1.25mm FFC 20Pin L=200mm

Page 60 C1
to MAIN_CB205

FROM MAIN CB205
1.25mm FFC 21Pin L=200mm

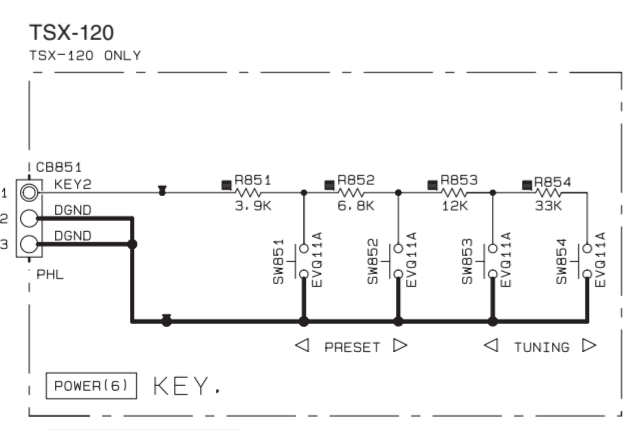


TSX-130
Key input (A-D) pull-up resistance 10 k-ohms

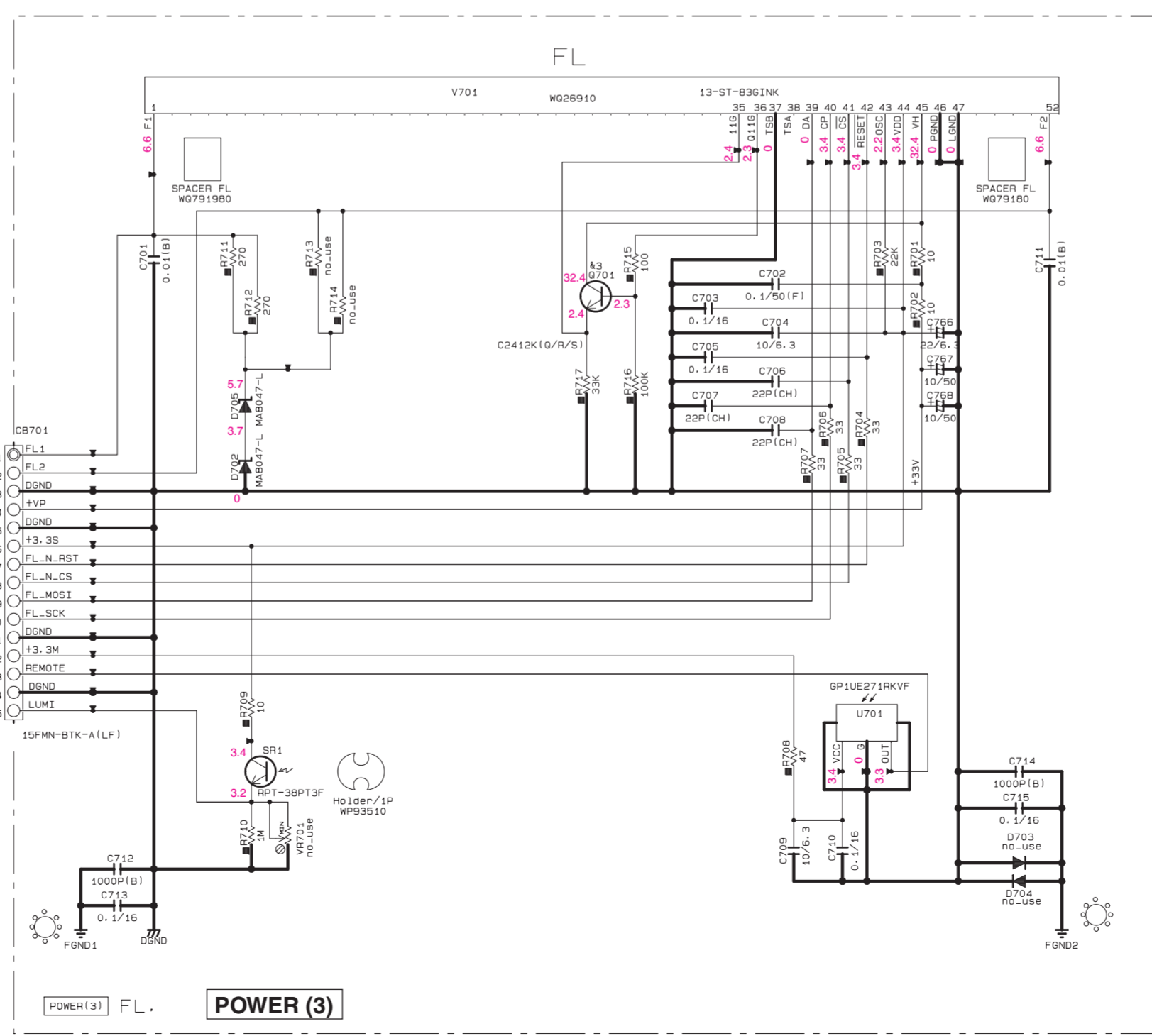
Ohm	0	+1.5k	+1.8k	+2.7k	+3.9k	+6.8k	+12.0k	+33.0k
V	0-0.2	0.2-0.6	0.6-1.0	1.0-1.4	1.4-1.8	1.9-2.2	2.3-2.6	2.6-3.1
KEY0 (07pin/AN0)	SNOOZE	PLAY/PAUSE	STOP	OPEN/CLOSE	FORWARD	REVERSE	VOLUME +	VOLUME -
KEY1 (05pin/AN1)	ALARM 1	ALARM 2	SET 1	SET 2	-	ENTER	*	
KEY2 (70pin/AN22)	iPod	FM	USB	CD				

TSX-120
Key input (A-D) pull-up resistance 10 k-ohms

Ohm	0	+1.5k	+1.8k	+2.7k	+3.9k	+6.8k	+12.0k	+33.0k
V	0-0.2	0.2-0.6	0.6-1.0	1.0-1.4	1.4-1.8	1.9-2.2	2.3-2.6	2.6-3.1
KEY0 (07pin/AN0)	SNOOZE	PLAY/PAUSE	STOP	FORWARD	REVERSE	VOLUME +	VOLUME -	
KEY1 (05pin/AN1)	ALARM 1	ALARM 2	SET 1	SET 2	-	ENTER	*	
KEY2 (70pin/AN22)	iPod	FM	AUX	TUNING <	TUNING >	PRESET <	PRESET >	



POWER (6) TSX-120



POWER (3) FL

POWER (4) TSX-130

POWER (5) TSX-120

NOTICE (model)

- (J)..... JAPAN
- (U)..... U.S.A
- (C)..... CANADA
- (R)..... GENERAL
- (T)..... CHINA
- (K)..... KOREA
- (A)..... AUSTRALIA
- (G)..... EUROPE
- (L)..... SINGAPORE
- (V)..... TAIWAN
- (F)..... RUSSIAN

RESISTOR

REMARKS	PARTS NAME
NO MARK	CARBON FILM RESISTOR (P=5)
□	CARBON FILM RESISTOR (P=10)
△	METAL OXIDE FILM RESISTOR
▲	METAL FILM RESISTOR
▣	METAL PLATE RESISTOR
▤	FIRE PROOF CARBON FILM RESISTOR
▥	CEMENT MOLDED RESISTOR
⊙	SEMI VARIABLE RESISTOR
■	CHIP RESISTOR

CAPACITOR

REMARKS	PARTS NAME
NO MARK	ELECTROLYTIC CAPACITOR
⊗	TANTALUM CAPACITOR
NO MARK	CERAMIC CAPACITOR
○	CERAMIC TUBULAR CAPACITOR
⊙	POLYESTER FILM CAPACITOR
○	POLYSTYRENE FILM CAPACITOR
⊖	MICA CAPACITOR
⊕	POLYPROPYLENE FILM CAPACITOR
⊙	SEMICONDUCTIVE CERAMIC CAPACITOR
⊙	POLYBENZYLENE SULFIDE FILM CAPACITOR

- * All voltages are measured with a 10MΩ/V DC electronic voltmeter.
- * Components having special characteristics are marked △ and must be replaced with parts having specifications equal to those originally installed.
- * Schematic diagram is subject to change without notice.

- 電圧は、内部抵抗 10MΩの電圧計で測定したものです。
- △印のある部品は、安全性確保部品を示しています。部品の交換が必要な場合、パーツリストに記載されている部品を使用してください。
- 本回路図は標準回路図です。改良のため予告なく変更することがございます。

■ REPLACEMENT PARTS LIST

● ELECTRICAL COMPONENT PARTS

WARNING

- Components having special characteristics are marked Δ and must be replaced with parts having specifications equal to those originally installed.
- The chip resistor is not supplied as a replacement part.
 - * When a chip resistor is necessary, use the following part.
AAX60720: CHIP RESISTOR SAMPLE BOOK
- Δ 印のある部分は、安全確保部品を示しています。部品の交換が必要な場合、パーツリストに記載されている部品を使用してください。
- チップ抵抗はサービス部品として供給しません。
 - ※ チップ抵抗が必要な場合は、下記の部品をご利用ください。
AAX60720 : CHIP RESISTOR SAMPLE BOOK
- 部品価格ランクは、予告なく変更することがあります。

ABBREVIATIONS IN THIS LIST ARE AS FOLLOWS:

C.A.EL.CHP	: CHIP ALUMI.ELECTROLYTIC CAP	L.EMIT	: LIGHT EMITTING MODULE
C.CE	: CERAMIC CAP	LED.DSPLY	: LED DISPLAY
C.CE.ARRAY	: CERAMIC CAP ARRAY	LED.INFRD	: LED,INFRARED
C.CE.CHP	: CHIP CERAMIC CAP	MODUL.RF	: MODULATOR,RF
C.CE.ML	: MULTILAYER CERAMIC CAP	PHOT.CPL	: PHOTO COUPLER
C.CE.M.CHP	: CHIP MULTILAYER CERAMIC CAP	PHOT.INTR	: PHOTO INTERRUPTER
C.CE.SAFY	: RECOGNIZED CERAMIC CAP	PHOT.RFLCT	: PHOTO REFLECTOR
C.CE.TUBLR	: CERAMIC TUBULAR CAP	PIN.TEST	: PIN,TEST POINT
C.CE.SMI	: SEMI CONDUCTIVE CERAMIC CAP	PLST.RIVET	: PLASTIC RIVET
C.EL	: ELECTROLYTIC CAP	R.ARRAY	: RESISTOR ARRAY
C.MICA	: MICA CAP	R.CAR.	: CARBON RESISTOR
C.ML.FLM	: MULTILAYER FILM CAP	R.CAR.CHP	: CHIP RESISTOR
C.MP	: METALLIZED PAPER CAP	R.CAR.FP	: FLAME PROOF CARBON RESISTOR
C.MYLAR	: MYLAR FILM CAP	R.FUS	: FUSABLE RESISTOR
C.MYLAR.ML	: MULTILAYER MYLAR FILM CAP	R.MTL.CHP	: CHIP METAL FILM RESISTOR
C.PAPER	: PAPER CAPACITOR	R.MTL.FLM	: METAL FILM RESISTOR
C.PLS	: POLYSTYRENE FILM CAP	R.MTL.OXD	: METAL OXIDE FILM RESISTOR
C.POL	: POLYESTER FILM CAP	R.MTL.PLAT	: METAL PLATE RESISTOR
C.POLY	: POLYETHYLENE FILM CAP	RSNR.CE	: CERAMIC RESONATOR
C.PP	: POLYPROPYLENE FILM CAP	RSNR.CRYS	: CRYSTAL RESONATOR
C.TNTL	: TANTALUM CAP	R.TW.CEM	: TWIN CEMENT FIXED RESISTOR
C.TNTL.CHP	: CHIP TANTALUM CAP	R.CEMENT	: CEMENT RESISTOR
C.TRIM	: TRIMMER CAP	SCR.BND.HD	: BIND HEAD B-TIGHT SCREW
CN	: CONNECTOR	SCR.BW.HD	: BW HEAD TAPPING SCREW
CN.BS.PIN	: CONNECTOR,BASE PIN	SCR.CUP	: CUP TIGHT SCREW
CN.CANNON	: CONNECTOR,CANNON	SCR.TERM	: SCREW TERMINAL
CN.DIN	: CONNECTOR,DIN	SCR.TR	: SCREW,TRANSISTOR
CN.FLAT	: CONNECTOR,FLAT CABLE	SUPRT.PCB	: SUPPORT,P.C.B.
CN.POST	: CONNECTOR,BASE POST	SURG.PRTCT	: SURGE PROTECTOR
COIL.MX.AM	: COIL,AM MIX	SW.TACT	: TACT SWITCH
COIL.AT.FM	: COIL,FM ANTENNA	SW.LEAF	: LEAF SWITCH
COIL.DT.FM	: COIL,FM DETECT	SW.LEVER	: LEVER SWITCH
COIL.MX.FM	: COIL,FM MIX	SW.MICRO	: MICRO SWITCH
COIL.OUTPT	: OUTPUT COIL	SW.PUSH	: PUSH SWITCH
DIOD.ARRAY	: DIODE ARRAY	SW.RT.ENC	: ROTARY ENCODER
DIODE.BRG	: DIODE BRIDGE	SW.RT.MTR	: ROTARY SWITCH WITH MOTOR
DIODE.CHP	: CHIP DIODE	SW.RT	: ROTARY SWITCH
DIODE.VAR	: VARACTOR DIODE	SW.SLIDE	: SLIDE SWITCH
DIOD.Z.CHP	: CHIP ZENER DIODE	TERM.SP	: SPEAKER TERMINAL
DIODE.ZENR	: ZENER DIODE	TERM.WRAP	: WRAPPING TERMINAL
DSCR.CE	: CERAMIC DISCRIMINATOR	THRMST.CHP	: CHIP THERMISTOR
FER.BEAD	: FERRITE BEADS	TR.CHP	: CHIP TRANSISTOR
FER.CORE	: FERRITE CORE	TR.DGT	: DIGITAL TRANSISTOR
FET.CHP	: CHIP FET	TR.DGT.CHP	: CHIP DIGITAL TRANSISTOR
FL.DSPLY	: FLUORESCENT DISPLAY	TRANS	: TRANSFORMER
FLTR.CE	: CERAMIC FILTER	TRANS.PULS	: PULSE TRANSFORMER
FLTR.COMB	: COMB FILTER MODULE	TRANS.PWR	: POWER TRANSFORMER ASS'Y
FLTR.LC.RF	: LC FILTER,EMI	TUNER.AM	: TUNER PACK,AM
GND.MTL	: GROUND PLATE	TUNER.FM	: TUNER PACK,FM
GND.TERM	: GROUND TERMINAL	TUNER.PK	: FRONT-ENDTUNER PACK
HOLDER.FUS	: FUSE HOLDER	VR	: ROTARY POTENTIOMETER
IC.PRTCT	: IC PROTECTOR	VR.MTR	: POTENTIOMETER WITH MOTOR
JUMPER.CN	: JUMPER CONNECTOR	VR.SW	: POTENTIOMETER WITH ROTARY SW
JUMPER.TST	: JUMPER,TEST POINT	VR.SLIDE	: SLIDE POTENTIOMETER
L.DTCT	: LIGHT DETECTING MODULE	VR.TRIM	: TRIMMER POTENTIOMETER

TSX-130

P.C.B. CD

Ref No.	Part No.	Description	Remarks	Markets	部 品 名	ランク
	WQ422800	P. C. B.	CD	130	P C B C D	
CB602	VB390200	CN. BS. PIN	6P	130	コネクタベースポスト	01
* CB604	WQ289300	CN	24P TE	130	F F C / F P Cコネクタ	
CB607	WE222600	CN. BS. PIN	29P SE	130	F F Cコネクタ	
CB610	LB918050	CN. BS. PIN	5P	130	ベース付ポスト	01
C601	US135100	C. CE. CHP	0. 1uF 16V	130	チップセラコン	01
C602-603	UF018100	C. EL. CHP	100uF 6. 3V	130	チップケミコン	01
C604	US135100	C. CE. CHP	0. 1uF 16V	130	チップセラコン	01
C605	US063100	C. CE. CHP	1000pF 50V B	130	チップセラコン	01
C606	UF038100	C. EL. CHP	100uF 16V	130	チップケミコン	01
C607	UF017470	C. EL. CHP	47uF 6. 3V	130	チップケミコン	01
C608	US135100	C. CE. CHP	0. 1uF 16V	130	チップセラコン	01
C610	UF038100	C. EL. CHP	100uF 16V	130	チップケミコン	01
C611	US135100	C. CE. CHP	0. 1uF 16V	130	チップセラコン	01
C612-613	US063220	C. CE. CHP	2200pF 50V B	130	チップセラコン	01
C614-615	US063150	C. CE. CHP	1500pF 50V B	130	チップセラコン	01
C616	UF038100	C. EL. CHP	100uF 16V	130	チップケミコン	01
C617	US135100	C. CE. CHP	0. 1uF 16V	130	チップセラコン	01
C619	US135220	C. CE. CHP	0. 22uF 16V	130	チップセラコン	01
C620	US135100	C. CE. CHP	0. 1uF 16V	130	チップセラコン	01
C621	US062680	C. CE. CHP	680pF 50V B	130	チップセラコン	01
C622	US044220	C. CE. CHP	0. 022uF 25V B	130	チップセラコン	01
C623	US135100	C. CE. CHP	0. 1uF 16V	130	チップセラコン	01
C624	US063100	C. CE. CHP	1000pF 50V B	130	チップセラコン	01
C625	US034820	C. CE. CHP	0. 082uF 16V K	130	チップセラコン	01
C626	US063100	C. CE. CHP	1000pF 50V B	130	チップセラコン	01
C627	US135330	C. CE. CHP	0. 33uF 16V	130	チップセラコン	01
C628	UF018100	C. EL. CHP	100uF 6. 3V	130	チップケミコン	01
C629	WG251600	C. CE. CHP	4. 7uF 6. 3V	130	チップセラコン	01
C630	UF018100	C. EL. CHP	100uF 6. 3V	130	チップケミコン	01
C631	US044220	C. CE. CHP	0. 022uF 25V B	130	チップセラコン	01
C632	US063330	C. CE. CHP	3300pF 50V B	130	チップセラコン	01
C633	US135330	C. CE. CHP	0. 33uF 16V	130	チップセラコン	01
C634	US135100	C. CE. CHP	0. 1uF 16V	130	チップセラコン	01
C635	US135150	C. CE. CHP	0. 15uF 16V	130	チップセラコン	01
C642	US135100	C. CE. CHP	0. 1uF 16V	130	チップセラコン	01
C643	UF017470	C. EL. CHP	47uF 6. 3V	130	チップケミコン	01
C644	US135100	C. CE. CHP	0. 1uF 16V	130	チップセラコン	01
C645	UF018100	C. EL. CHP	100uF 6. 3V	130	チップケミコン	01
C646-647	US135100	C. CE. CHP	0. 1uF 16V	130	チップセラコン	01
C648	UF018100	C. EL. CHP	100uF 6. 3V	130	チップケミコン	01
C649	US135100	C. CE. CHP	0. 1uF 16V	130	チップセラコン	01
C650	UF018100	C. EL. CHP	100uF 6. 3V	130	チップケミコン	01
C651	US135100	C. CE. CHP	0. 1uF 16V	130	チップセラコン	01
C652	UF018100	C. EL. CHP	100uF 6. 3V	130	チップケミコン	01
C653	WP882000	C. CE. CHP	10uF 6. 3V	130	チップセラコン	
C654-657	US135100	C. CE. CHP	0. 1uF 16V	130	チップセラコン	01
C658	WP882000	C. CE. CHP	10uF 6. 3V	130	チップセラコン	
C659-660	US135100	C. CE. CHP	0. 1uF 16V	130	チップセラコン	01
C661	WP882000	C. CE. CHP	10uF 6. 3V	130	チップセラコン	
C662	US135100	C. CE. CHP	0. 1uF 16V	130	チップセラコン	01
C663	WP882000	C. CE. CHP	10uF 6. 3V	130	チップセラコン	

* New Parts * 新規部品

TSX-130/TSX-120

TSX-130

P.C.B. CD

Ref No.	Part No.	Description	Remarks	Markets	部 品 名	ランク	
C664	US063100	C. CE. CHP	1000pF 50V B	130		チップセラコン	01
C665-667	US135100	C. CE. CHP	0. 1uF 16V	130		チップセラコン	01
C669	US135100	C. CE. CHP	0. 1uF 16V	130		チップセラコン	01
C670	US063100	C. CE. CHP	1000pF 50V B	130		チップセラコン	01
C671-672	US135100	C. CE. CHP	0. 1uF 16V	130		チップセラコン	01
C673	US063100	C. CE. CHP	1000pF 50V B	130		チップセラコン	01
C674-676	US135100	C. CE. CHP	0. 1uF 16V	130		チップセラコン	01
C677-678	US063100	C. CE. CHP	1000pF 50V B	130		チップセラコン	01
C679	US135100	C. CE. CHP	0. 1uF 16V	130		チップセラコン	01
C680-682	UF017470	C. EL. CHP	47uF 6. 3V	130		チップケミコン	01
C683-684	US135100	C. CE. CHP	0. 1uF 16V	130		チップセラコン	01
C685	US063100	C. CE. CHP	1000pF 50V B	130		チップセラコン	01
C686	UF017470	C. EL. CHP	47uF 6. 3V	130		チップケミコン	01
C687-688	US135100	C. CE. CHP	0. 1uF 16V	130		チップセラコン	01
C689-690	WF547900	C. CE. CHP	10uF 25V	130		チップセラ	01
C693	US044220	C. CE. CHP	0. 022uF 25V B	130		チップセラコン	01
C694-695	US065100	C. CE. CHP	0. 1uF 50V B	130		チップセラコン	01
C696	US046100	C. CE. CHP	1uF 25V	130		チップセラコン	01
C697	US135100	C. CE. CHP	0. 1uF 16V	130		チップセラコン	01
C698	UF018100	C. EL. CHP	100uF 6. 3V	130		チップケミコン	01
C699	US065100	C. CE. CHP	0. 1uF 50V B	130		チップセラコン	01
C700-702	UF018100	C. EL. CHP	100uF 6. 3V	130		チップケミコン	01
C703	US135100	C. CE. CHP	0. 1uF 16V	130		チップセラコン	01
C704	US065100	C. CE. CHP	0. 1uF 50V B	130		チップセラコン	01
C705	US135100	C. CE. CHP	0. 1uF 16V	130		チップセラコン	01
C706	US044220	C. CE. CHP	0. 022uF 25V B	130		チップセラコン	01
C707	WF547900	C. CE. CHP	10uF 25V	130		チップセラ	01
C710-711	WF547900	C. CE. CHP	10uF 25V	130		チップセラ	01
C712	WP543400	C. EL	680uF 25V	130		ケミコン	
C714-715	US062100	C. CE. CHP	100pF 50V B	130		チップセラコン	01
C716	WP882000	C. CE. CHP	10uF 6. 3V	130		チップセラコン	
C720-725	US063100	C. CE. CHP	1000pF 50V B	130		チップセラコン	01
C726	US065100	C. CE. CHP	0. 1uF 50V B	130		チップセラコン	01
C727	US135100	C. CE. CHP	0. 1uF 16V	130		チップセラコン	01
C730	US063100	C. CE. CHP	1000pF 50V B	130		チップセラコン	01
C731	UF118330	C. EL. CHP	330uF 6. 3V	130		チップケミコン	01
C732	US135100	C. CE. CHP	0. 1uF 16V	130		チップセラコン	01
C733-734	WP882000	C. CE. CHP	10uF 6. 3V	130		チップセラコン	
C735-736	US061180	C. CE. CHP	18pF 50V B	130		チップセラコン	01
C737	US065100	C. CE. CHP	0. 1uF 50V B	130		チップセラコン	01
C738-739	US135100	C. CE. CHP	0. 1uF 16V	130		チップセラコン	01
C740	WP882000	C. CE. CHP	10uF 6. 3V	130		チップセラコン	
C741	US063100	C. CE. CHP	1000pF 50V B	130		チップセラコン	01
D601-604	VT332900	DIODE	1SS355	130		ダイオード	01
D605	WC549600	DIODE. CHP	RB160M-30 TR	130		チップダイオード	04
D606	WP292300	DIODE	RB050LA-40TR TP	130		ダイオード	
D608-610	VT332900	DIODE	1SS355	130		ダイオード	01
F601	V2429100	SW. POLY	SMD C100-02	130		ポリスイッチ	02
IC601	X8685A00	IC	AN41010A-VF	130		ドライバ I C	07
* IC602	YA331A00	IC	MN6627971YB	130		I C	
IC604	X9911A00	IC. CPU. USB	MN103SFB5KYAA	MASK ROM		I C CPU	09
IC605	X5693B00	IC	M12L16161A-7TG	130		メモリ I C 16M	

* New Parts * 新規部品

TSX-130

P.C.B. CD and P.C.B. MAIN

Ref No.	Part No.	Description	Remarks	Markets	部 品 名	ランク	
△ IC606	X8096A00	IC	R5523N001A-TR-F	130		電源 I C	03
IC607	X7651A00	IC	BD9302FP-E2	130		電源 I C	05
IC608	X8897A00	IC	R1172S331B-E2-F	130		電源 I C	03
Q601	iB070900	TR	2SB709A P, Q, R, S	130		トランジスタ	01
Q602	VV556500	TR	2SA1037K Q, R, S	130		トランジスタ	01
Q603	VV655700	TR. DGT	DTC144EKA	130		デジタルトランジスタ	01
Q604	VV556500	TR	2SA1037K Q, R, S	130		トランジスタ	01
Q605	VV556400	TR	2SC2412K Q, R, S	130		トランジスタ	01
XL601	WB872100	RSNR. CRYST	16.9344MHz	130		水晶振動子	03
XL603	WQ332600	RSNR. CE	12MHz	130		セラミック発振子	02
* * * *	WQ419700	P. C. B.	MAIN	130	J	P C B M A I N	
* * * *	WQ419800	P. C. B.	MAIN	130	U	P C B M A I N	
* * * *	WQ419900	P. C. B.	MAIN	130	TKLV	P C B M A I N	
* * * *	WQ420000	P. C. B.	MAIN	130	G	P C B M A I N	
CB201	WK469100	CN. FMN	29P	130		FMNコネクタ	03
CB204	VM923600	CN. BS. PIN	13P	130		F F Cコネクタ	01
CB205	VQ047600	CN. BS. PIN	21P	130		F F Cコネクタ	02
CB207	VQ047500	CN. BS. PIN	20P	130		F F Cコネクタ	01
CB208	VB390700	CN. BS. PIN	11P	130		コネクタベースポスト	01
CB209	LB918060	CN. BS. PIN	6P	130		ベース付ポスト	01
CB210-211	LB918020	CN. BS. PIN	2P	130		ベース付ポスト	01
CB212	VQ047200	CN. BS. PIN	9P	130		F F Cコネクタ	01
CB214	LB918040	CN. BS. PIN	4P	130		ベース付ポスト	01
CB215	LB918020	CN. BS. PIN	2P	130		ベース付ポスト	01
C201-204	US061330	C. CE. CHP	33pF 50V B	130		チップセラコン	01
C205-207	US135100	C. CE. CHP	0.1uF 16V	130		チップセラコン	01
C210	US135100	C. CE. CHP	0.1uF 16V	130		チップセラコン	01
C211	US061330	C. CE. CHP	33pF 50V B	130		チップセラコン	01
C212-213	US135100	C. CE. CHP	0.1uF 16V	130		チップセラコン	01
C214	UF017220	C. EL. CHP	22uF 6.3V	130		チップケミコン	01
C215	US126100	C. CE. CHP	1uF 10V	130		チップセラコン	01
C216-217	US135100	C. CE. CHP	0.1uF 16V	130		チップセラコン	01
C251	US062330	C. CE. CHP	330pF 50V B	130	G	チップセラコン	01
C252	US135100	C. CE. CHP	0.1uF 16V	130	G	チップセラコン	01
C253	US062560	C. CE. CHP	560pF 50V B	130	G	チップセラコン	01
C254	US062330	C. CE. CHP	330pF 50V B	130	G	チップセラコン	01
C255	US135100	C. CE. CHP	0.1uF 16V	130	G	チップセラコン	01
C256	US061220	C. CE. CHP	22pF 50V B	130		チップセラコン	01
C257	UF037100	C. EL. CHP	10uF 16V	130	G	チップケミコン	01
C258-259	US061270	C. CE. CHP	27pF 50V B	130	G	チップセラコン	01
C260-261	US061220	C. CE. CHP	22pF 50V B	130		チップセラコン	01
C262	US135100	C. CE. CHP	0.1uF 16V	130	G	チップセラコン	01
C263-265	US061220	C. CE. CHP	22pF 50V B	130		チップセラコン	01
C266	UF037100	C. EL. CHP	10uF 16V	130	G	チップケミコン	01
C267	US061220	C. CE. CHP	22pF 50V B	130		チップセラコン	01
C268	UF037100	C. EL. CHP	10uF 16V	130	G	チップケミコン	01
C269	US061220	C. CE. CHP	22pF 50V B	130		チップセラコン	01
C270	UF037100	C. EL. CHP	10uF 16V	130	G	チップケミコン	01
C271-272	UF037100	C. EL. CHP	10uF 16V	130		チップケミコン	01

* New Parts * 新規部品

TSX-130/TSX-120

TSX-130

P.C.B. MAIN

Ref No.	Part No.	Description	Remarks	Markets	部 品 名	ランク
C273	US135100	C. CE. CHP	0. 1uF 16V	130	チップセラコン	01
C275-277	US135100	C. CE. CHP	0. 1uF 16V	130	チップセラコン	01
C284	UF037100	C. EL. CHP	10uF 16V	130	チップケミコン	01
C285-286	WP882000	C. CE. CHP	10uF 6. 3V	130	チップセラコン	
C287	US135100	C. CE. CHP	0. 1uF 16V	130	チップセラコン	01
C288	UF037100	C. EL. CHP	10uF 16V	130	チップケミコン	01
C289	US135100	C. CE. CHP	0. 1uF 16V	130	チップセラコン	01
C290-291	US064100	C. CE. CHP	0. 01uF 50V B	130	チップセラコン	01
C292	UF037100	C. EL. CHP	10uF 16V	130	チップケミコン	01
C293	US135100	C. CE. CHP	0. 1uF 16V	130	チップセラコン	01
C295	US135100	C. CE. CHP	0. 1uF 16V	130	チップセラコン	01
C298	US135100	C. CE. CHP	0. 1uF 16V	130	チップセラコン	01
C300-301	US135100	C. CE. CHP	0. 1uF 16V	130	チップセラコン	01
C302	UF037100	C. EL. CHP	10uF 16V	130	チップケミコン	01
C303	US135100	C. CE. CHP	0. 1uF 16V	130	チップセラコン	01
C305	US135100	C. CE. CHP	0. 1uF 16V	130	チップセラコン	01
C307	US063100	C. CE. CHP	1000pF 50V B	130	チップセラコン	01
C308-309	US135100	C. CE. CHP	0. 1uF 16V	130	チップセラコン	01
C310	UF037100	C. EL. CHP	10uF 16V	130	チップケミコン	01
C311	US061150	C. CE. CHP	15pF 50V B	130	チップセラコン	01
C313	US063100	C. CE. CHP	1000pF 50V B	130	チップセラコン	01
C315	US061120	C. CE. CHP	12pF 50V B	130	チップセラコン	01
C316	UF037100	C. EL. CHP	10uF 16V	130	チップケミコン	01
C318-319	US135100	C. CE. CHP	0. 1uF 16V	130	チップセラコン	01
C320	UF037100	C. EL. CHP	10uF 16V	130	チップケミコン	01
C322	US126100	C. CE. CHP	1uF 10V	130	チップセラコン	01
C326	US135100	C. CE. CHP	0. 1uF 16V	130	チップセラコン	01
C328-332	US135100	C. CE. CHP	0. 1uF 16V	130	チップセラコン	01
C333	US126100	C. CE. CHP	1uF 10V	130	チップセラコン	01
C334	US135100	C. CE. CHP	0. 1uF 16V	130	チップセラコン	01
C336-337	UF066100	C. EL. CHP	1uF 50V	130	チップケミコン	01
C338-341	UF037100	C. EL. CHP	10uF 16V	130	チップケミコン	01
C342-343	UF066100	C. EL. CHP	1uF 50V	130	チップケミコン	01
C346	US126100	C. CE. CHP	1uF 10V	130	チップセラコン	01
C349	US135100	C. CE. CHP	0. 1uF 16V	130	チップセラコン	01
C350	US035100	C. CE. CHP	0. 1uF 16V B	130	チップセラコン	01
C351	US135100	C. CE. CHP	0. 1uF 16V	130	チップセラコン	01
C356	WC892200	C. EL. CHP	100uF 16V	130	ケミコン	
C357-358	US035100	C. CE. CHP	0. 1uF 16V B	130	チップセラコン	01
C359	WC892200	C. EL. CHP	100uF 16V	130	ケミコン	
C360-361	US035100	C. CE. CHP	0. 1uF 16V B	130	チップセラコン	01
C362-363	WC892200	C. EL. CHP	100uF 16V	130	ケミコン	
C364-367	US063100	C. CE. CHP	1000pF 50V B	130	チップセラコン	01
C368-369	VE326500	C. MYLAR. ML	0. 27uF 50V	130	積層マイラーコン	01
C370	UF038100	C. EL. CHP	100uF 16V	130	チップケミコン	01
C371	WB165500	C. EL	0. 33F 5. 5V	130	ゴールドキャパシタ	04
C372	UF037100	C. EL. CHP	10uF 16V	130	チップケミコン	01
C373	UF017220	C. EL. CHP	22uF 6. 3V	130	チップケミコン	01
C375	US061220	C. CE. CHP	22pF 50V B	130	チップセラコン	01
C377	US135100	C. CE. CHP	0. 1uF 16V	130	チップセラコン	01
C378-379	US061220	C. CE. CHP	22pF 50V B	130	チップセラコン	01
C380	US061470	C. CE. CHP	47pF 50V B	130	チップセラコン	01

* New Parts * 新規部品

TSX-130

P.C.B. MAIN

Ref No.	Part No.	Description	Remarks	Markets	部 品 名	ランク	
C381	US061220	C. CE. CHP	22pF 50V B	130		チップセラコン	01
C382-383	US061470	C. CE. CHP	47pF 50V B	130		チップセラコン	01
C384	US061220	C. CE. CHP	22pF 50V B	130		チップセラコン	01
C385-386	US135100	C. CE. CHP	0. 1uF 16V	130		チップセラコン	01
C387	US061470	C. CE. CHP	47pF 50V B	130		チップセラコン	01
C388	US061220	C. CE. CHP	22pF 50V B	130		チップセラコン	01
C389	US061470	C. CE. CHP	47pF 50V B	130		チップセラコン	01
C390	US061220	C. CE. CHP	22pF 50V B	130		チップセラコン	01
C391	US135100	C. CE. CHP	0. 1uF 16V	130		チップセラコン	01
C393-394	US135100	C. CE. CHP	0. 1uF 16V	130		チップセラコン	01
C396-401	US135100	C. CE. CHP	0. 1uF 16V	130		チップセラコン	01
C405	UF017220	C. EL. CHP	22uF 6. 3V	130		チップケミコン	01
C406	US135100	C. CE. CHP	0. 1uF 16V	130		チップセラコン	01
C407	UF037100	C. EL. CHP	10uF 16V	130		チップケミコン	01
C408	US065100	C. CE. CHP	0. 1uF 50V B	130		チップセラコン	01
C409	US135100	C. CE. CHP	0. 1uF 16V	130		チップセラコン	01
C410	UF017220	C. EL. CHP	22uF 6. 3V	130		チップケミコン	01
C411-412	US135100	C. CE. CHP	0. 1uF 16V	130		チップセラコン	01
C413	WP258700	C. CE. CHP	2. 2uF 25V	130		チップセラ	
C414	WK004400	C. CE. M. CHP	10uF 16V	130		チップ積層セラコン	01
C416-423	US035100	C. CE. CHP	0. 1uF 16V B	130		チップセラコン	01
C424	US065100	C. CE. CHP	0. 1uF 50V B	130		チップセラコン	01
C425-429	US135100	C. CE. CHP	0. 1uF 16V	130		チップセラコン	01
C432-450	US135100	C. CE. CHP	0. 1uF 16V	130		チップセラコン	01
C451	US126100	C. CE. CHP	1uF 10V	130		チップセラコン	01
C452	US061470	C. CE. CHP	47pF 50V B	130		チップセラコン	01
C453	US135100	C. CE. CHP	0. 1uF 16V	130		チップセラコン	01
C454	US126100	C. CE. CHP	1uF 10V	130		チップセラコン	01
C455	US135100	C. CE. CHP	0. 1uF 16V	130		チップセラコン	01
C456	US061470	C. CE. CHP	47pF 50V B	130		チップセラコン	01
C457-458	US126100	C. CE. CHP	1uF 10V	130		チップセラコン	01
C459	UF037100	C. EL. CHP	10uF 16V	130		チップケミコン	01
C460	UF017220	C. EL. CHP	22uF 6. 3V	130		チップケミコン	01
C461	WK004400	C. CE. M. CHP	10uF 16V	130		チップ積層セラコン	01
C462	US135100	C. CE. CHP	0. 1uF 16V	130		チップセラコン	01
C465-467	US135100	C. CE. CHP	0. 1uF 16V	130		チップセラコン	01
C468-471	US063100	C. CE. CHP	1000pF 50V B	130		チップセラコン	01
C472-473	US062470	C. CE. CHP	470pF 50V B	130		チップセラコン	01
C474-475	US135100	C. CE. CHP	0. 1uF 16V	130		チップセラコン	01
D251	VU991300	DIODE. ZENR	MA8039 3. 9V	130	G	ツェナーダイオード	
D252	VU995500	DIODE. ZENR	MA8100-H 10. 3V	130		ツェナーダイオード	02
D253-256	WB081800	DIODE. SHOT	SB01-05Q	130		ショットキーダイオード	
D257	VT332900	DIODE	1SS355	130		ダイオード	01
D262-263	VV833200	DIODE	1SS380	130		ダイオード	01
D264-265	VT332900	DIODE	1SS355	130		ダイオード	01
D266-267	V2376600	DIODE. SHOT	RB500V-40	130		ショットキーダイオード	01
D268	VU445900	DIODE	RB050L-40	130		ダイオード	02
D269	VU992500	DIODE. ZENR	MA8051-L 5V	130		ツェナーダイオード	01
D270-273	VT332900	DIODE	1SS355	130		ダイオード	01
IC201	YA013A00	IC. CPU	R5F3640DNFA CPU	unwritten		CPU IC	09
IC205	X9056A00	IC	M24C02-RDW6TP	130		メモリ IC	
* IC206	YA101A00	IC	RX-4571SA A	130		IC	

* New Parts * 新規部品

TSX-130/TSX-120

TSX-130

TSX-120

P.C.B. MAIN

Ref No.	Part No.	Description	Remarks	Markets	部 品 名	ランク	
	IC207	X7357A00 IC	PCM1803DBR	130		IC	04
	IC208	X7375A00 IC	PCM1781DBQR	130		IC	04
*	IC209	YA167A00 IC	NJM2750M-TE2	130		アナログ IC	
	IC210	X2474A00 IC	NJM4580V-TE2	130		アンプ IC	01
	IC213	X3586B00 IC	TC74VHCT08AFT EL, K	130		ロジック IC	01
	IC214	XV891B00 IC	TC74VHC08FT (EL, K)	130		ロジック IC	01
*	IC216	X8235A00 IC	LC72725KM	130	G	IC	
	IC217	XS775A00 IC	TC7SH04FU	130		ロジック ICフラット	01
	IC218	YA160A00 IC	R1154H001C-T1-F	130		電源 IC	
△	IC219	X9850A00 IC	BD9870FPS	130		電源 IC	
	IC220	X7964A00 IC	PQ200WNA1ZPH	130		電源 IC	03
	PN201-205	V9637500 PIN	L=70 #18	130		スタイルピン	
	Q251	VD303700 TR	2SC3326 A, B	130	G	トランジスタ	01
	Q252	iC181510 TR	2SC1815 Y	130	G	トランジスタ	01
	Q253	iC181510 TR	2SC1815 Y	130		トランジスタ	01
	Q261	VV655700 TR. DGT	DTC144EKA	130		デジタルトランジスタ	01
	Q262	VV556400 TR	2SC2412K Q, R, S	130		トランジスタ	01
	Q263	VV556500 TR	2SA1037K Q, R, S	130		トランジスタ	01
	Q264	VV655300 TR. DGT	DTA144EKA	130		デジタルトランジスタ	01
	R473	V8070500 R. MTL. FLM	22 Ω 1W	130		金属被膜抵抗	01
	XL201	WF997400 RSNR. CE	20MHz	130		セラミック振動子	02
*	XL251	WJ588000 RSNR. CRY	4. 332MHz	130	G	水晶振動子	
	XL252	V3625700 RSNR. CRY	24. 576MHz	130		水晶振動子	03
*		WQ420100 P. C. B.	MAIN	120	J	PCB MAIN	
*		WQ420200 P. C. B.	MAIN	120	U	PCB MAIN	
*		WQ420300 P. C. B.	MAIN	120	TL	PCB MAIN	
*		WQ420400 P. C. B.	MAIN	120	G	PCB MAIN	
	CB204	VM923600 CN. BS. PIN	13P	120		FFCコネクタ	01
	CB205	VQ047600 CN. BS. PIN	21P	120		FFCコネクタ	02
	CB207	VQ047500 CN. BS. PIN	20P	120		FFCコネクタ	01
	CB208	VB390700 CN. BS. PIN	11P	120		コネクタベースポスト	01
	CB209	LB918060 CN. BS. PIN	6P	120		ベース付ポスト	01
	CB210-211	LB918020 CN. BS. PIN	2P	120		ベース付ポスト	01
	CB212	VQ047200 CN. BS. PIN	9P	120		FFCコネクタ	01
	CB214	LB918040 CN. BS. PIN	4P	120		ベース付ポスト	01
	CB215	LB918020 CN. BS. PIN	2P	120		ベース付ポスト	01
	C201-204	US061330 C. GE. CHP	33pF 50V B	120		チップセラコン	01
	C205-207	US135100 C. GE. CHP	0. 1uF 16V	120		チップセラコン	01
	C210	US135100 C. GE. CHP	0. 1uF 16V	120		チップセラコン	01
	C211	US061330 C. GE. CHP	33pF 50V B	120		チップセラコン	01
	C212-213	US135100 C. GE. CHP	0. 1uF 16V	120		チップセラコン	01
	C214	UF017220 C. EL. CHP	22uF 6. 3V	120		チップケミコン	01
	C215	US126100 C. GE. CHP	1uF 10V	120		チップセラコン	01
	C216-217	US135100 C. GE. CHP	0. 1uF 16V	120		チップセラコン	01
	C251	US062330 C. GE. CHP	330pF 50V B	120	G	チップセラコン	01
	C252	US135100 C. GE. CHP	0. 1uF 16V	120	G	チップセラコン	01
	C253	US062560 C. GE. CHP	560pF 50V B	120	G	チップセラコン	01
	C254	US062330 C. GE. CHP	330pF 50V B	120	G	チップセラコン	01
	C255	US135100 C. GE. CHP	0. 1uF 16V	120	G	チップセラコン	01

* New Parts * 新規部品

TSX-130/TSX-120

TSX-120

P.C.B. MAIN

Ref No.	Part No.	Description	Remarks	Markets	部 品 名	ランク	
C257	UF037100	C. EL. CHP	10uF 16V	120	G	チップケミコン	01
C258-259	US061270	C. CE. CHP	27pF 50V B	120	G	チップセラコン	01
C262	US135100	C. CE. CHP	0. 1uF 16V	120	G	チップセラコン	01
C266	UF037100	C. EL. CHP	10uF 16V	120	G	チップケミコン	01
C268	UF037100	C. EL. CHP	10uF 16V	120	G	チップケミコン	01
C270	UF037100	C. EL. CHP	10uF 16V	120	G	チップケミコン	01
C271-272	UF037100	C. EL. CHP	10uF 16V	120		チップケミコン	01
C275-277	US135100	C. CE. CHP	0. 1uF 16V	120		チップセラコン	01
C284	UF037100	C. EL. CHP	10uF 16V	120		チップケミコン	01
C285-286	WP882000	C. CE. CHP	10uF 6. 3V	120		チップセラコン	
C287	US135100	C. CE. CHP	0. 1uF 16V	120		チップセラコン	01
C288	UF037100	C. EL. CHP	10uF 16V	120		チップケミコン	01
C289	US135100	C. CE. CHP	0. 1uF 16V	120		チップセラコン	01
C290-291	US064100	C. CE. CHP	0. 01uF 50V B	120		チップセラコン	01
C292	UF037100	C. EL. CHP	10uF 16V	120		チップケミコン	01
C293	US135100	C. CE. CHP	0. 1uF 16V	120		チップセラコン	01
C295	US135100	C. CE. CHP	0. 1uF 16V	120		チップセラコン	01
C298	US135100	C. CE. CHP	0. 1uF 16V	120		チップセラコン	01
C300-301	US135100	C. CE. CHP	0. 1uF 16V	120		チップセラコン	01
C302	UF037100	C. EL. CHP	10uF 16V	120		チップケミコン	01
C303	US135100	C. CE. CHP	0. 1uF 16V	120		チップセラコン	01
C305	US135100	C. CE. CHP	0. 1uF 16V	120		チップセラコン	01
C307	US063100	C. CE. CHP	1000pF 50V B	120		チップセラコン	01
C308-309	US135100	C. CE. CHP	0. 1uF 16V	120		チップセラコン	01
C310	UF037100	C. EL. CHP	10uF 16V	120		チップケミコン	01
C311	US061150	C. CE. CHP	15pF 50V B	120		チップセラコン	01
C313	US063100	C. CE. CHP	1000pF 50V B	120		チップセラコン	01
C315	US061120	C. CE. CHP	12pF 50V B	120		チップセラコン	01
C316	UF037100	C. EL. CHP	10uF 16V	120		チップケミコン	01
C318-319	US135100	C. CE. CHP	0. 1uF 16V	120		チップセラコン	01
C320	UF037100	C. EL. CHP	10uF 16V	120		チップケミコン	01
C322	US126100	C. CE. CHP	1uF 10V	120		チップセラコン	01
C326	US135100	C. CE. CHP	0. 1uF 16V	120		チップセラコン	01
C328-332	US135100	C. CE. CHP	0. 1uF 16V	120		チップセラコン	01
C333	US126100	C. CE. CHP	1uF 10V	120		チップセラコン	01
C334	US135100	C. CE. CHP	0. 1uF 16V	120		チップセラコン	01
C336-337	UF066100	C. EL. CHP	1uF 50V	120		チップケミコン	01
C338-341	UF037100	C. EL. CHP	10uF 16V	120		チップケミコン	01
C342-343	UF066100	C. EL. CHP	1uF 50V	120		チップケミコン	01
C346	US126100	C. CE. CHP	1uF 10V	120		チップセラコン	01
C349	US135100	C. CE. CHP	0. 1uF 16V	120		チップセラコン	01
C350	US035100	C. CE. CHP	0. 1uF 16V B	120		チップセラコン	01
C351	US135100	C. CE. CHP	0. 1uF 16V	120		チップセラコン	01
C356	WC892200	C. EL. CHP	100uF 16V	120		ケミコン	
C357-358	US035100	C. CE. CHP	0. 1uF 16V B	120		チップセラコン	01
C359	WC892200	C. EL. CHP	100uF 16V	120		ケミコン	
C360-361	US035100	C. CE. CHP	0. 1uF 16V B	120		チップセラコン	01
C362-363	WC892200	C. EL. CHP	100uF 16V	120		ケミコン	
C364-367	US063100	C. CE. CHP	1000pF 50V B	120		チップセラコン	01
C368-369	VE326500	C. MYLAR. ML	0. 27uF 50V	120		積層マイラーコン	01
C370	UF038100	C. EL. CHP	100uF 16V	120		チップケミコン	01
C371	WB165500	C. EL	0. 33F 5. 5V	120		ゴールドキャパシタ	04

* New Parts * 新規部品

TSX-130/TSX-120

TSX-120

P.C.B. MAIN

Ref No.	Part No.	Description	Remarks	Markets	部 品 名	ランク	
C372	UF037100	C. EL. CHP	10uF 16V	120		チップケミコン	01
C373	UF017220	C. EL. CHP	22uF 6.3V	120		チップケミコン	01
C375	US061220	C. CE. CHP	22pF 50V B	120		チップセラコン	01
C377	US135100	C. CE. CHP	0.1uF 16V	120		チップセラコン	01
C378-379	US061220	C. CE. CHP	22pF 50V B	120		チップセラコン	01
C380	US061470	C. CE. CHP	47pF 50V B	120		チップセラコン	01
C381	US061220	C. CE. CHP	22pF 50V B	120		チップセラコン	01
C382-383	US061470	C. CE. CHP	47pF 50V B	120		チップセラコン	01
C384	US061220	C. CE. CHP	22pF 50V B	120		チップセラコン	01
C385-386	US135100	C. CE. CHP	0.1uF 16V	120		チップセラコン	01
C387	US061470	C. CE. CHP	47pF 50V B	120		チップセラコン	01
C388	US061220	C. CE. CHP	22pF 50V B	120		チップセラコン	01
C389	US061470	C. CE. CHP	47pF 50V B	120		チップセラコン	01
C390	US061220	C. CE. CHP	22pF 50V B	120		チップセラコン	01
C391	US135100	C. CE. CHP	0.1uF 16V	120		チップセラコン	01
C393-394	US135100	C. CE. CHP	0.1uF 16V	120		チップセラコン	01
C396-401	US135100	C. CE. CHP	0.1uF 16V	120		チップセラコン	01
C405	UF017220	C. EL. CHP	22uF 6.3V	120		チップケミコン	01
C406	US135100	C. CE. CHP	0.1uF 16V	120		チップセラコン	01
C407	UF037100	C. EL. CHP	10uF 16V	120		チップケミコン	01
C408	US065100	C. CE. CHP	0.1uF 50V B	120		チップセラコン	01
C409	US135100	C. CE. CHP	0.1uF 16V	120		チップセラコン	01
C410	UF017220	C. EL. CHP	22uF 6.3V	120		チップケミコン	01
C411-412	US135100	C. CE. CHP	0.1uF 16V	120		チップセラコン	01
C413	WP258700	C. CE. CHP	2.2uF 25V	120		チップセラ	
C414	WK004400	C. GE. M. CHP	10uF 16V	120		チップ積層セラコン	01
C416-423	US035100	C. CE. CHP	0.1uF 16V B	120		チップセラコン	01
C424	US065100	C. CE. CHP	0.1uF 50V B	120		チップセラコン	01
C425-429	US135100	C. CE. CHP	0.1uF 16V	120		チップセラコン	01
C432-450	US135100	C. CE. CHP	0.1uF 16V	120		チップセラコン	01
C451	US126100	C. CE. CHP	1uF 10V	120		チップセラコン	01
C452	US061470	C. CE. CHP	47pF 50V B	120		チップセラコン	01
C453	US135100	C. CE. CHP	0.1uF 16V	120		チップセラコン	01
C454	US126100	C. CE. CHP	1uF 10V	120		チップセラコン	01
C455	US135100	C. CE. CHP	0.1uF 16V	120		チップセラコン	01
C456	US061470	C. CE. CHP	47pF 50V B	120		チップセラコン	01
C457-458	US126100	C. CE. CHP	1uF 10V	120		チップセラコン	01
C459	UF037100	C. EL. CHP	10uF 16V	120		チップケミコン	01
C460	UF017220	C. EL. CHP	22uF 6.3V	120		チップケミコン	01
C461	WK004400	C. GE. M. CHP	10uF 16V	120		チップ積層セラコン	01
C462	US135100	C. CE. CHP	0.1uF 16V	120		チップセラコン	01
C463-464	UF037100	C. EL. CHP	10uF 16V	120		チップケミコン	01
C465-467	US135100	C. CE. CHP	0.1uF 16V	120		チップセラコン	01
C468-471	US063100	C. CE. CHP	1000pF 50V B	120		チップセラコン	01
C472-473	US062470	C. CE. CHP	470pF 50V B	120		チップセラコン	01
C474-475	US135100	C. CE. CHP	0.1uF 16V	120		チップセラコン	01
D251	VU991300	DIODE. ZENR	MA8039 3.9V	120	G	ツェナーダイオード	
D252	VU995500	DIODE. ZENR	MA8100-H 10.3V	120		ツェナーダイオード	02
D253-256	WB081800	DIODE. SHOT	SB01-05Q	120		ショットキーダイオード	
D257	VT332900	DIODE	1SS355	120		ダイオード	01
D262-263	VV833200	DIODE	1SS380	120		ダイオード	01
D264-265	VT332900	DIODE	1SS355	120		ダイオード	01

* New Parts * 新規部品

TSX-130/TSX-120

P.C.B. MAIN and P.C.B. POWER

Ref No.	Part No.	Description	Remarks	Markets	部 品 名	ランク	
D266-267	V2376600	DIODE. SHOT	RB500V-40	120		ショットキーダイオード	01
D268	VU445900	DIODE	RB050L-40	120		ダイオード	02
D269	VU992500	DIODE. ZENR	MA8051-L 5V	120		ツェナーダイオード	01
D270-273	VT332900	DIODE	1SS355	120		ダイオード	01
IC201	YA013A00	IC. CPU	R5F3640DNFA CPU	unwritten		CPU IC	09
IC205	X9056A00	IC	M24C02-RDW6TP	120		メモリ IC	
* IC206	YA101A00	IC	RX-4571SA A	120		IC	
IC207	X7357A00	IC	PCM1803DBR	120		IC	04
IC208	X7375A00	IC	PCM1781DBQR	120		IC	04
IC209	YA167A00	IC	NJM2750M-TE2	120		アナログ IC	
IC210	X2474A00	IC	NJM4580V-TE2	120		アンプ IC	01
IC213	X3586B00	IC	TC74VHCT08AFT EL, K	120		ロジック IC	01
IC214	XV891B00	IC	TC74VHC08FT (EL, K)	120		ロジック IC	01
* IC216	X8235A00	IC	LC72725KM	120	G	IC	
IC217	XS775A00	IC	TC7SH04FU	120		ロジック ICフラット	01
* IC218	YA160A00	IC	R1154H001C-T1-F	120		電源 IC	
△ IC219	X9850A00	IC	BD9870FPS	120		電源 IC	
IC220	X7964A00	IC	PQ200WNA1ZPH	120		電源 IC	03
PN201-204	V9637500	PIN	L=70 #18	120		スタイルピン	
Q251	VD303700	TR	2SC3326 A, B	120	G	トランジスタ	01
Q252	iC181510	TR	2SC1815 Y	120	G	トランジスタ	01
Q253	iC181510	TR	2SC1815 Y	120		トランジスタ	01
Q261	VV655700	TR. DGT	DTC144EKA	120		デジタルトランジスタ	01
Q262	VV556400	TR	2SC2412K Q, R, S	120		トランジスタ	01
Q263	VV556500	TR	2SA1037K Q, R, S	120		トランジスタ	01
Q264	VV655300	TR. DGT	DTA144EKA	120		デジタルトランジスタ	01
R473	V8070500	R. MTL. FLM	22 Ω 1W	120		金属被膜抵抗	01
XL201	WF997400	RSNR. CE	20MHz	120		セラミック振動子	02
* XL251	WJ588000	RSNR. CRY	4.332MHz	120	G	水晶振動子	
XL252	V3625700	RSNR. CRY	24.576MHz	120		水晶振動子	03
* WQ421200		P. C. B.	POWER	130	J	PCB POWER	
* WQ421300		P. C. B.	POWER	130	U	PCB POWER	
* WQ421400		P. C. B.	POWER	130	TKGL	PCB POWER	
* WQ421500		P. C. B.	POWER	130	V	PCB POWER	
CB1	VG879900	CN. BS. PIN	2P	130		ベースピン	01
CB2-3	WN103000	CLIP. FUSE	TP00351-31	130		ヒューズクリップ	01
CB11	VG879900	CN. BS. PIN	2P	130		ベースピン	01
CB701	V7414400	CN	15P TE FMN	130		FMNコネクタ	01
CB751	V7414100	CN	15P SE FMN	130		FMNコネクタ	02
CB752	WN698000	CN. USB	UBAS-4R-D14D 4P TE	130		USB コネクタ	
CB754	VQ045100	CN. BS. PIN	21P	130		FFCコネクタ	02
CB756	VQ045000	CN. BS. PIN	20P	130		FFCコネクタ	01
△ C1	V5877700	C. MYLAR	0.22uF 250V	130		マイラーコン	03
△ C2-3	WH035900	C. CE. SAFTY	1000pF 250V	130		規格認定コンデンサ	01
△ C4	WN826300	C. CE. SAFTY	0.01uF 250V	130		規格認定コン	
△ C5	V5877700	C. MYLAR	0.22uF 250V	130		マイラーコン	03
C6	WN817800	C. EL	680uF 200V	130	JUV	ケミコン	
* C6	WN817900	C. EL	180uF 400V	130	TKGL	ケミコン	
C7	WJ322400	C. CE. M. CHP	0.01uF 250V	130	JUV	チップ積層セラコン	01

* New Parts * 新規部品

TSX-130/TSX-120

TSX-130

P.C.B. POWER

Ref No.	Part No.	Description	Remarks	Markets	部 品 名	ランク	
C7	WJ322300	C. CE. M. CHP	1000pF 630V	130	TKGL	チップ積層セラコン	01
C8	WJ322300	C. CE. M. CHP	1000pF 630V	130	TKGL	チップ積層セラコン	01
C11	US063220	C. CE. CHP	2200pF 50V B	130		チップセラコン	01
C12	WD969200	C. CE. CHP	0. 1uF 50V K	130		チップセラコン	01
C13	UB214820	C. CE. M. CHP	0. 082uF 25V	130		チップ積層セラコン	
C15-16	WD969200	C. CE. CHP	0. 1uF 50V K	130		チップセラコン	01
C17	US063100	C. CE. CHP	1000pF 50V B	130		チップセラコン	01
C18	WQ286600	C. CE. CHP	0. 22uF 50V	130		チップセラ	
C19	WP340600	C. EL	47uF 35V	130		ケミコン	01
C20	WHO35900	C. CE. SAFTY	1000pF 250V	130		規格認定コンデンサ	01
C21	WK413800	C. CE. M. CHP	1000pF 250V	130		チップ積層セラコン	01
C22	UR898330	C. EL	330uF 100V	130		ケミコン	
C23	UR839100	C. EL	1000uF 16V	130		ケミコン	01
C24	UR858100	C. EL	100uF 35V	130		ケミコン	01
C26	UR857220	C. EL	22uF 35V	130		ケミコン	01
C27	UR865470	C. EL	0. 47uF 50V	130		ケミコン	01
C28	US035100	C. CE. CHP	0. 1uF 16V B	130		チップセラコン	01
C29-30	WN816700	C. EL	1500uF 35V	130		ケミコン	
C32	US065100	C. CE. CHP	0. 1uF 50V B	130		チップセラコン	01
C33	WF547900	C. CE. CHP	10uF 25V	130		チップセラ	01
C34	US065100	C. CE. CHP	0. 1uF 50V B	130		チップセラコン	01
C35-36	WK004400	C. CE. M. CHP	10uF 16V	130		チップ積層セラコン	01
C39	US065100	C. CE. CHP	0. 1uF 50V B	130		チップセラコン	01
C42	US063100	C. CE. CHP	1000pF 50V B	130		チップセラコン	01
C43	US065100	C. CE. CHP	0. 1uF 50V B	130		チップセラコン	01
C44	US064100	C. CE. CHP	0. 01uF 50V B	130		チップセラコン	01
C45	WQ072600	C. EL	220uF 35V	130		ケミコン	
C46-48	US065100	C. CE. CHP	0. 1uF 50V B	130		チップセラコン	01
C49	UR848100	C. EL	100uF 25V	130		ケミコン	01
C51	US062100	C. CE. CHP	100pF 50V B	130		チップセラコン	01
C58	WQ072600	C. EL	220uF 35V	130		ケミコン	
C60	UR877220	C. EL	22uF 63V	130		ケミコン	01
C62	UR838100	C. EL	100uF 16V	130		ケミコン	01
C63-64	UR877220	C. EL	22uF 63V	130		ケミコン	01
C65	US061220	C. CE. CHP	22pF 50V B	130		チップセラコン	01
C66	UR877220	C. EL	22uF 63V	130		ケミコン	01
C701	US064100	C. CE. CHP	0. 01uF 50V B	130		チップセラコン	01
C702	US065100	C. CE. CHP	0. 1uF 50V B	130		チップセラコン	01
C703	US135100	C. CE. CHP	0. 1uF 16V	130		チップセラコン	01
C704	WG888300	C. CE. M. CHP	10uF 6. 3V	130		チップ積層セラコン	01
C705	US135100	C. CE. CHP	0. 1uF 16V	130		チップセラコン	01
C706-708	US061220	C. CE. CHP	22pF 50V B	130		チップセラコン	01
C709	WG888300	C. CE. M. CHP	10uF 6. 3V	130		チップ積層セラコン	01
C710	US135100	C. CE. CHP	0. 1uF 16V	130		チップセラコン	01
C711	US064100	C. CE. CHP	0. 01uF 50V B	130		チップセラコン	01
C712	US063100	C. CE. CHP	1000pF 50V B	130		チップセラコン	01
C713	US135100	C. CE. CHP	0. 1uF 16V	130		チップセラコン	01
C714	US063100	C. CE. CHP	1000pF 50V B	130		チップセラコン	01
C715	US135100	C. CE. CHP	0. 1uF 16V	130		チップセラコン	01
C751	US035100	C. CE. CHP	0. 1uF 16V B	130		チップセラコン	01
C756	US135100	C. CE. CHP	0. 1uF 16V	130		チップセラコン	01
C760	US135100	C. CE. CHP	0. 1uF 16V	130		チップセラコン	01

△

* New Parts * 新規部品

TSX-130/TSX-120

P.C.B. POWER

Ref No.	Part No.	Description	Remarks	Markets	部 品 名	ランク	
	C766	UF017220 C. EL. CHP	22uF 6.3V	130		チップケミコン	01
	C767-768	UF067100 C. EL. CHP	10uF 50V	130		チップケミコン	01
△	D1	VN953300 DIODE. BRG	D5SBA60 5A 600V	130		ダイオードブリッジ	04
△	D2-3	VR253700 DIODE. BRG	S1NB20 1A 200V	130		ダイオードブリッジ	02
	D4	WJ459300 DIODE	D1FK60-5063	130	JUV	ダイオード	01
	D4	WJ151900 DIODE	STTH110A	130	TKGL	ダイオード	03
	D5	WN672400 DIODE. ZENR	P6KE200A 200V	130		ツェナーダイオード	03
	D6	WN672400 DIODE. ZENR	P6KE200A 200V	130	TKGL	ツェナーダイオード	03
	D7	VN478200 DIODE	D1NL20U	130		ダイオード	01
	D8	VU998700 DIODE. ZENR	MA8220-M 22V	130		ツェナーダイオード	01
	D9	VV463000 DIODE. CHP	1. 1A 200V D1FL20U	130		チップダイオード	01
	D10	VU996800 DIODE. ZENR	MAZ8140GML 14V	130		ツェナーダイオード	
	D11	VT532500 DIODE	1SR154-400	130		ダイオード	01
	D13	VT532500 DIODE	1SR154-400	130		ダイオード	01
	D14	VT332900 DIODE	1SS355	130		ダイオード	01
	D15	VU993800 DIODE. ZENR	MA8068-M 6.8V	130		ツェナーダイオード	01
	D16	VT332900 DIODE	1SS355	130		ダイオード	01
	D18-19	VV220700 DIODE. SHOT	RB501V-40	130		ショットキーダイオード	01
	D20	WQ151500 DIODE. SHOT	15A 150V SF15NC15M	130		ショットキダイオード	
	D21	VU997400 DIODE. ZENR	MA8160-L 15.7V	130		ツェナーダイオード	01
	D22	VU445900 DIODE	RB050L-40	130		ダイオード	02
	D25	VV463000 DIODE. CHP	1. 1A 200V D1FL20U	130		チップダイオード	01
	D29	VP974300 DIODE	D3S6M 7002 P7.5	130		ダイオード	03
	D35	VU997600 DIODE. ZENR	MA8160-H 16.7V	130		ツェナーダイオード	01
	D37	VU997600 DIODE. ZENR	MA8160-H 16.7V	130		ツェナーダイオード	01
	D702	VU992100 DIODE. ZENR	MA8047-L 4.6V	130		ツェナーダイオード	01
	D705	VU992100 DIODE. ZENR	MA8047-L 4.6V	130		ツェナーダイオード	01
	D751-752	VT332900 DIODE	1SS355	130		ダイオード	01
△	F1	WG410300 FUSE	4A 125V	130	JUV	ヒューズ	01
△	F1	KB000750 FUSE. MNI	T2A 250V	130	TKGL	ヒューズ ミニ	01
	F751	V2429100 SW. POLY	SMDC100-02	130		ポリスイッチ	02
△	IC1	X9806A00 IC	L6566BTR SW DENGEN	130		電源 I C	04
△ *	IC2-3	WP388200 PHOT. CPL	TLP781 (D4-GR, F)	130		フォトカブラ	
	IC4	X6770A00 IC	NJM431U (TE1)	130		電源 I C	01
△	IC11	X9850A00 IC	BD9870FPS	130		電源 I C	
	IC13	XJ608A00 IC	NJM7812FA	130		I C	02
	PN11	V9637500 PIN	L=70 #18	130		スタイルピン	
△	Q1	WF412500 FET	2SK3683-01MR ST	130	JUV	F E T	05
△	Q1	WF703300 FET	2SK3679-01MR ST	130	TKGL	F E T	04
	Q2	VP872600 TR	2SA1708 S, T	130		トランジスタ	01
	Q4	VV655700 TR. DGT	DTC144EKA	130		デジタルトランジスタ	01
	Q7	VY677600 TR. DGT	DTC123JKA TP	130		デジタルトランジスタ	01
	Q8	VV556500 TR	2SA1037K Q, R, S	130		トランジスタ	01
	Q9	VV655700 TR. DGT	DTC144EKA	130		デジタルトランジスタ	01
△	Q10	VP872700 TR	2SC4488 S, T	130		トランジスタ	01
	Q11	VV556400 TR	2SC2412K Q, R, S	130		トランジスタ	01
	Q12	VP872700 TR	2SC4488 S, T	130		トランジスタ	01
	Q13	VP872600 TR	2SA1708 S, T	130		トランジスタ	01
	Q701	VV556400 TR	2SC2412K Q, R, S	130		トランジスタ	01
	R25	V3872900 R. CEMENT	0.22 Ω 3W	130	JUV	セメント抵抗	04
*	R25	WQ526100 R. WW	0.33 Ω 3W	130	TKGL	セメント抵抗	
	R34	HV754470 R. CAR. FP	47 Ω 1/4W	130		不燃化カーボン抵抗	01

* New Parts * 新規部品

TSX-130/TSX-120

TSX-130

TSX-120

P.C.B. POWER

Ref No.	Part No.	Description	Remarks	Markets	部 品 名	ランク	
R48-49	VP940800	R. MTL. OXD	470 Ω 1W	130	酸化金属被膜抵抗	01	
R53	VP940400	R. MTL. OXD	100 Ω 1W	130	酸化金属被膜抵抗	01	
R55	VP940100	R. MTL. OXD	33 Ω 1W	130	酸化金属被膜抵抗	01	
R75	HV755100	R. CAR. FP	100 Ω 1/4W	130	不燃化カーボン抵抗	01	
R76	VP939900	R. MTL. OXD	15 Ω 1W	130	酸化金属被膜抵抗	01	
R81	VP941100	R. MTL. OXD	1K Ω 1W	130	酸化金属被膜抵抗	01	
△ RY1	V6017400	RELAY	DC SDT-S-112LMR2	130	リレー 12V	04	
SR1	WQ286700	PHOTO TR.	RPT-38PT3F	130	フォトランジスタ		
SW751-761	V4757100	SW. TACT	EVQ11A	130	タクトSW	01	
SW763-771	V4757100	SW. TACT	EVQ11A	130	タクトSW	01	
△ * T1	YA197A00	TRANS. PWR		130	J 電源トランス		
△ * T1	YA198A00	TRANS. PWR		130	U 電源トランス		
△ * T1	YA199A00	TRANS. PWR		130	TKGL 電源トランス		
△ * T1	YA200A00	TRANS. PWR		130	V 電源トランス		
△ * T2	YA068A00	TRANS. PWR		130	JUV 電源トランス		
△ * T2	YA069A00	TRANS. PWR		130	TKGL 電源トランス		
△ TH1	WF544600	POSISTOR	NTPAD5R1LDNBO 5.1	130	JUV サーマスタ	03	
△ TH1	WF129000	POSISTOR	NTPAA100LDNBO 10	130	TKGL サーマスタ	03	
U701	WK918500	L. DTCT	GP1UE271RKVF	130	リモコン受光ユニット	03	
V701	WQ269100	FL. DSPLY	13-ST-83G1NK	130	蛍光表示管		
* * *	WR191300	SHEET	W=30 PE TAPE	130	保護シート		
* * *	WP935100	HOLDER	1P	130	ホルダ		
* * *	WQ791800	SPACER. FL		130	スペーサ/FL		
* * *	WE774400	SCR. BND. HD	3x8 MFZN2B3	130	バインドBタイトネジ	01	
* * *	WQ421600	P. C. B.	POWER	WH	J	PCB POWER	
* * *	WQ421700	P. C. B.	POWER	WH	U	PCB POWER	
* * *	WQ421800	P. C. B.	POWER	WH	TGL	PCB POWER	
* * *	WQ421900	P. C. B.	POWER	BL	J	PCB POWER	
* * *	WQ422000	P. C. B.	POWER	BL	U	PCB POWER	
* * *	WQ422100	P. C. B.	POWER	BL	TGL	PCB POWER	
CB1	VG879900	CN. BS. PIN	2P	120		ベースピン	01
CB2-3	WN103000	CLIP. FUSE	TP00351-31	120		ヒューズクリップ	01
CB11	VG879900	CN. BS. PIN	2P	120		ベースピン	01
CB701	V7414400	CN	15P TE FMN	120		FMNコネクター	01
CB751	V7414100	CN	15P SE FMN	120		FMNコネクター	02
CB754	VQ045100	CN. BS. PIN	21P	120		FFCコネクター	02
CB756	VQ045000	CN. BS. PIN	20P	120		FFCコネクター	01
CB851	VB858200	CN. BS. PIN	3P	120		ベースピン	01
△ C1	V5877700	C. MYLAR	0.22uF 250V	120		マイラーコン	03
△ C2-3	WHO35900	C. CE. SAFTY	1000pF 250V	120		規格認定コンデンサ	01
△ C4	WN826300	C. CE. SAFTY	0.01uF 250V	120		規格認定コン	
△ C5	V5877700	C. MYLAR	0.22uF 250V	120		マイラーコン	03
* C6	WN817800	C. EL	680uF 200V	120	JU	ケミコン	
* C6	WN817900	C. EL	180uF 400V	120	TGL	ケミコン	
C7	WJ322400	C. CE. M. CHP	0.01uF 250V	120	JU	チップ積層セラコン	01
C7	WJ322300	C. CE. M. CHP	1000pF 630V	120	TGL	チップ積層セラコン	01
C8	WJ322300	C. CE. M. CHP	1000pF 630V	120	TGL	チップ積層セラコン	01
C11	US063220	C. CE. CHP	2200pF 50V B	120		チップセラコン	01
C12	WD969200	C. CE. CHP	0.1uF 50V K	120		チップセラコン	01

* New Parts * 新規部品

TSX-130/TSX-120

TSX-120

P.C.B. POWER

△

Ref No.	Part No.	Description	Remarks	Markets	部 品 名	ランク
C13	UB214820	C. CE. M. CHP	0.082uF 25V	120	チップ積層セラコン	
C15-16	WD969200	C. CE. CHP	0.1uF 50V K	120	チップセラコン	01
C17	US063100	C. CE. CHP	1000pF 50V B	120	チップセラコン	01
C18	WQ286600	C. CE. CHP	0.22uF 50V	120	チップセラ	
C19	WP340600	C. EL	47uF 35V	120	ケミコン	01
C20	WH035900	C. CE. SAFETY	1000pF 250V	120	規格認定コンデンサ	01
C21	WK413800	C. CE. M. CHP	1000pF 250V	120	チップ積層セラコン	01
C22	UR898330	C. EL	330uF 100V	120	ケミコン	
C23	UR839100	C. EL	1000uF 16V	120	ケミコン	01
C24	UR858100	C. EL	100uF 35V	120	ケミコン	01
C26	UR857220	C. EL	22uF 35V	120	ケミコン	01
C27	UR865470	C. EL	0.47uF 50V	120	ケミコン	01
C28	US035100	C. CE. CHP	0.1uF 16V B	120	チップセラコン	01
C29-30	WN816700	C. EL	1500uF 35V	120	ケミコン	
C32	US065100	C. CE. CHP	0.1uF 50V B	120	チップセラコン	01
C33	WF547900	C. CE. CHP	10uF 25V	120	チップセラ	01
C34	US065100	C. CE. CHP	0.1uF 50V B	120	チップセラコン	01
C35-36	WK004400	C. CE. M. CHP	10uF 16V	120	チップ積層セラコン	01
C39	US065100	C. CE. CHP	0.1uF 50V B	120	チップセラコン	01
C42	US063100	C. CE. CHP	1000pF 50V B	120	チップセラコン	01
C43	US065100	C. CE. CHP	0.1uF 50V B	120	チップセラコン	01
C44	US064100	C. CE. CHP	0.01uF 50V B	120	チップセラコン	01
C45	WQ072600	C. EL	220uF 35V	120	ケミコン	
C46	US065100	C. CE. CHP	0.1uF 50V B	120	チップセラコン	01
C48	US065100	C. CE. CHP	0.1uF 50V B	120	チップセラコン	01
C49	UR848100	C. EL	100uF 25V	120	ケミコン	01
C51	US062100	C. CE. CHP	100pF 50V B	120	チップセラコン	01
C58	WQ072600	C. EL	220uF 35V	120	ケミコン	
C60	UR877220	C. EL	22uF 63V	120	ケミコン	01
C62	UR838100	C. EL	100uF 16V	120	ケミコン	01
C63-64	UR877220	C. EL	22uF 63V	120	ケミコン	01
C65	US061220	C. CE. CHP	22pF 50V B	120	チップセラコン	01
C66	UR877220	C. EL	22uF 63V	120	ケミコン	01
C701	US064100	C. CE. CHP	0.01uF 50V B	120	チップセラコン	01
C702	US065100	C. CE. CHP	0.1uF 50V B	120	チップセラコン	01
C703	US135100	C. CE. CHP	0.1uF 16V	120	チップセラコン	01
C704	WG888300	C. CE. M. CHP	10uF 6.3V	120	チップ積層セラコン	01
C705	US135100	C. CE. CHP	0.1uF 16V	120	チップセラコン	01
C706-708	US061220	C. CE. CHP	22pF 50V B	120	チップセラコン	01
C709	WG888300	C. CE. M. CHP	10uF 6.3V	120	チップ積層セラコン	01
C710	US135100	C. CE. CHP	0.1uF 16V	120	チップセラコン	01
C711	US064100	C. CE. CHP	0.01uF 50V B	120	チップセラコン	01
C712	US063100	C. CE. CHP	1000pF 50V B	120	チップセラコン	01
C713	US135100	C. CE. CHP	0.1uF 16V	120	チップセラコン	01
C714	US063100	C. CE. CHP	1000pF 50V B	120	チップセラコン	01
C715	US135100	C. CE. CHP	0.1uF 16V	120	チップセラコン	01
C751	US035100	C. CE. CHP	0.1uF 16V B	120	チップセラコン	01
C756	US135100	C. CE. CHP	0.1uF 16V	120	チップセラコン	01
C757-758	US062470	C. CE. CHP	470pF 50V B	120	チップセラコン	01
C760	US135100	C. CE. CHP	0.1uF 16V	120	チップセラコン	01
C763	US135100	C. CE. CHP	0.1uF 16V	120	チップセラコン	01
C764-765	US062100	C. CE. CHP	100pF 50V B	120	チップセラコン	01

* New Parts * 新規部品

TSX-130/TSX-120

TSX-120

P.C.B. POWER

Ref No.	Part No.	Description	Remarks	Markets	部 品 名	ランク	
	C766	UF017220 C. EL. CHP	22uF 6.3V	120		チップケミコン	01
	C767-768	UF067100 C. EL. CHP	10uF 50V	120		チップケミコン	01
△	D1	VN953300 DIODE. BRG	D5SBA60 5A 600V	120		ダイオードブリッジ	04
△	D2-3	VR253700 DIODE. BRG	S1NB20 1A 200V	120		ダイオードブリッジ	02
	D4	WJ459300 DIODE	D1FK60-5063	120	JU	ダイオード	01
	D4	WJ151900 DIODE	STTH110A	120	TGL	ダイオード	03
	D5	WN672400 DIODE. ZENR	P6KE200A 200V	120		ツェナーダイオード	03
	D6	WN672400 DIODE. ZENR	P6KE200A 200V	120	TGL	ツェナーダイオード	03
	D7	VN478200 DIODE	D1NL20U	120		ダイオード	01
	D8	VU998700 DIODE. ZENR	MA8220-M 22V	120		ツェナーダイオード	01
	D9	VV463000 DIODE. CHP	1. 1A 200V D1FL20U	120		チップダイオード	01
	D10	VU996800 DIODE. ZENR	MAZ8140GML 14V	120		ツェナーダイオード	
	D11	VT532500 DIODE	1SR154-400	120		ダイオード	01
	D13	VT532500 DIODE	1SR154-400	120		ダイオード	01
	D14	VT332900 DIODE	1SS355	120		ダイオード	01
	D15	VU993800 DIODE. ZENR	MA8068-M 6.8V	120		ツェナーダイオード	01
	D16	VT332900 DIODE	1SS355	120		ダイオード	01
	D18-19	VV220700 DIODE. SHOT	RB501V-40	120		ショットキーダイオード	01
	D20	WQ151500 DIODE. SHOT	15A 150V SF15NC15M	120		ショットキダイオード	
	D21	VU997400 DIODE. ZENR	MA8160-L 15. 7V	120		ツェナーダイオード	01
	D22	VU445900 DIODE	RB050L-40	120		ダイオード	02
	D25	VV463000 DIODE. CHP	1. 1A 200V D1FL20U	120		チップダイオード	01
	D29	VP974300 DIODE	D3S6M 7002 P7. 5	120		ダイオード	03
	D35	VU997600 DIODE. ZENR	MA8160-H 16. 7V	120		ツェナーダイオード	01
	D37	VU997600 DIODE. ZENR	MA8160-H 16. 7V	120		ツェナーダイオード	01
	D702	VU992100 DIODE. ZENR	MA8047-L 4. 6V	120		ツェナーダイオード	01
	D705	VU992100 DIODE. ZENR	MA8047-L 4. 6V	120		ツェナーダイオード	01
	D751-752	VT332900 DIODE	1SS355	120		ダイオード	01
△	F1	WG410300 FUSE	4A 125V	120	JU	ヒューズ	01
△	F1	KB000750 FUSE. MNI	T2A 250V	120	TGL	ヒューズ ミニ	01
	F751	V2429100 SW. POLY	SMDC100-02	120		ポリスイッチ	02
△	IC1	X9806A00 IC	L6566BTR SW DENGEN	120		電源 I C	04
△ *	IC2-3	WP388200 PHOT. CPL	TLP781 (D4-GR, F)	120		フォトカブラ	
	IC4	X6770A00 IC	NJM431U (TE1)	120		電源 I C	01
△	IC11	X9850A00 IC	BD9870FPS	120		電源 I C	
	IC13	XJ608A00 IC	NJM7812FA	120		I C	02
*	JK701	WQ233700 JACK. MNI	MSJ-035-18A W SR	WH		ミニ ジャック	
*	JK701	WH204400 JACK. MNI	MSJ-035-18A GR	BL		ミニ ジャック	
△	Q1	WF412500 FET	2SK3683-01MR ST	120	JU	F E T	05
△	Q1	WF703300 FET	2SK3679-01MR ST	120	TGL	F E T	04
	Q2	VP872600 TR	2SA1708 S, T	120		トランジスタ	01
	Q4	VV655700 TR. DGT	DTC144EKA	120		デジタルトランジスタ	01
	Q7	VY677600 TR. DGT	DTC123JKA TP	120		デジタルトランジスタ	01
	Q8	VV556500 TR	2SA1037K Q, R, S	120		トランジスタ	01
	Q9	VV655700 TR. DGT	DTC144EKA	120		デジタルトランジスタ	01
△	Q10	VP872700 TR	2SC4488 S, T	120		トランジスタ	01
	Q11	VV556400 TR	2SC2412K Q, R, S	120		トランジスタ	01
	Q12	VP872700 TR	2SC4488 S, T	120		トランジスタ	01
	Q13	VP872600 TR	2SA1708 S, T	120		トランジスタ	01
	Q701	VV556400 TR	2SC2412K Q, R, S	120		トランジスタ	01
	R25	V3872900 R. CEMENT	0. 22 Ω 3W	120	JU	セメント抵抗	04
*	R25	WQ526100 R. WW	0. 33 Ω 3W	120	TGL	セメント抵抗	

* New Parts * 新規部品

TSX-130/TSX-120

TSX-120

P.C.B. POWER

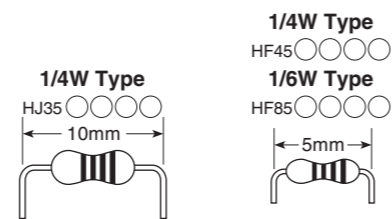
Ref No.	Part No.	Description	Remarks	Markets	部 品 名	ランク	
R34	HV754470	R. CAR. FP	47 Ω 1/4W	120		不燃化カーボン抵抗	01
R48-49	VP940800	R. MTL. OXD	470 Ω 1W	120		酸化金属被膜抵抗	01
R53	VP940400	R. MTL. OXD	100 Ω 1W	120		酸化金属被膜抵抗	01
R55	VP940100	R. MTL. OXD	33 Ω 1W	120		酸化金属被膜抵抗	01
R75	HV755100	R. CAR. FP	100 Ω 1/4W	120		不燃化カーボン抵抗	01
R76	VP939900	R. MTL. OXD	15 Ω 1W	120		酸化金属被膜抵抗	01
R81	VP941100	R. MTL. OXD	1K Ω 1W	120		酸化金属被膜抵抗	01
△	RY1	V6017400	RELAY	DC SDT-S-112LMR2	120	リレー 12V	04
	SR1	WQ286700	PHOTO TR.	RPT-38PT3F	120	フォトランジスタ	
	SW753-761	V4757100	SW. TACT	EVQ11A	120	タクトSW	01
	SW763-768	V4757100	SW. TACT	EVQ11A	120	タクトSW	01
	SW770-771	V4757100	SW. TACT	EVQ11A	120	タクトSW	01
	SW851-854	V4757100	SW. TACT	EVQ11A	120	タクトSW	01
△ *	T1	YA197A00	TRANS. PWR		120	J 電源トランス	
△ *	T1	YA198A00	TRANS. PWR		120	U 電源トランス	
△ *	T1	YA199A00	TRANS. PWR		120	TGL 電源トランス	
△ *	T2	YA068A00	TRANS. PWR		120	JU 電源トランス	
△ *	T2	YA069A00	TRANS. PWR		120	TGL 電源トランス	
△	TH1	WF544600	POSISTOR	NTPAD5R1LDNBO 5.1	120	JU サーミスタ	03
△	TH1	WF129000	POSISTOR	NTPAA100LDNBO 10	120	TGL サーミスタ	03
△	TH1	WF544600	POSISTOR	NTPAD5R1LDNBO 5.1	120	JU サーミスタ	03
	U701	WK918500	L. DTCT	GP1UE271RKVF	120	リモコン受光ユニット	03
*	V701	WQ269100	FL. DSPLY	13-ST-83GINK	120	蛍光表示管	
*		WR191300	SHEET	W=30 PE TAPE	120	保護シート	
		WP935100	HOLDER	1P	120	ホルダ	
*		WQ791800	SPACER. FL		120	スペーサ/FL	
		WE774400	SCR. BND. HD	3x8 MFZN2B3	120	バインドBタイトネジ	01

* New Parts * 新規部品

TSX-130/TSX-120

Carbon Resistors

Value	1/4W Type Part No.	1/6W Type Part No.	Value	1/4W Type Part No.	1/6W Type Part No.
1.0 Ω	HJ35 3100	HF85 3100	11 kΩ	HF45 7110	HF45 7110
1.8 Ω	HJ35 3180	*	12 kΩ	HJ35 7120	HF85 7120
2.2 Ω	HJ35 3220	HF85 3220	13 kΩ	HF45 7130	HF45 7130
3.3 Ω	HJ35 3330	HF85 3330	15 kΩ	HF45 7150	HF45 7150
4.7 Ω	HJ35 3470	HF85 3470	18 kΩ	HF45 7180	HF45 7180
5.6 Ω	HJ35 3560	HF85 3560	22 kΩ	HF45 7220	HF45 7220
10 Ω	HF45 4100	HF45 4100	24 kΩ	HF45 7240	HF45 7240
15 Ω	HJ35 4150	HF85 4150	27 kΩ	HJ35 7270	HF85 7270
22 Ω	HF45 4220	HF45 4220	30 kΩ	HF45 7300	HF45 7300
27 Ω	HJ35 4270	HF85 4270	33 kΩ	HF45 7330	HF45 7330
33 Ω	HF45 4330	HF45 4330	36 kΩ	HF45 7360	HF45 7360
39 Ω	HJ35 4470	HF85 4390	39 kΩ	HF45 7390	HF45 7390
47 Ω	HF45 4470	HF45 4470	47 kΩ	HF45 7470	HF45 7470
56 Ω	HF45 4560	HF45 4560	51 kΩ	HF45 7510	HF45 7510
68 Ω	HF45 4680	HF45 4680	56 kΩ	HF45 7560	HF45 7560
75 Ω	HF45 4750	HF45 4750	62 kΩ	HF45 7620	HF45 7620
82 Ω	HF45 4820	HF45 4820	68 kΩ	HF45 7680	HF45 7680
91 Ω	HF45 4910	HF45 4910	82 kΩ	HF45 7820	HF45 7820
100 Ω	HF45 5100	HF45 5100	91 kΩ	HF45 7910	HF45 7910
110 Ω	HJ35 5110	HF85 5110	100 kΩ	HF45 8100	HF45 8100
120 Ω	HF45 5120	HF45 5120	110 kΩ	HF45 8110	HF45 8110
150 Ω	HF45 5150	HF45 5150	120 kΩ	HF45 8120	HF45 8120
160 Ω	HJ35 5160	*	150 kΩ	HF45 8150	HF45 8150
180 Ω	HF45 5180	HF45 5180	180 kΩ	HF45 8180	HF45 8180
200 Ω	HF45 5200	HF45 5200	220 kΩ	HJ35 8220	HF85 8220
220 Ω	HF45 5220	HF45 5220	270 kΩ	HF45 8270	HF45 8270
270 Ω	HF45 5270	HF45 5270	300 kΩ	HF45 8300	HF45 8300
330 Ω	HF45 5330	HF45 5330	330 kΩ	HF45 8330	HF45 8330
390 Ω	HF45 5390	HF45 5390	390 kΩ	HJ35 8390	HF85 8390
430 Ω	HF45 5430	HF45 5430	470 kΩ	HF45 8470	HF45 8470
470 Ω	HF45 5470	HF45 5470	560 kΩ	HJ35 8560	HF85 8560
510 Ω	HF45 5510	HF45 5510	680 kΩ	HJ35 8680	HF85 8680
560 Ω	HF45 5560	HF45 5560	820 kΩ	HJ35 8820	HF85 8820
680 Ω	HF45 5680	HF45 5680	1.0 MΩ	HF45 9100	HF45 9100
820 Ω	HF45 5820	HF45 5820	1.2 MΩ	HJ35 9120	*
910 Ω	HF45 5910	HF45 5910	1.5 MΩ	HJ35 9150	HF85 9150
1.0 k	HF45 6100	HF45 6100	1.8 MΩ	HJ35 9180	HF85 9180
1.2 kΩ	HF45 6120	HF45 6120	2.2 MΩ	HJ35 9220	HF85 9220
1.5 kΩ	HF45 6150	HF45 6150	3.3 MΩ	HJ35 9330	HF85 9330
1.8 kΩ	HF45 6180	HF45 6180	3.9 MΩ	HJ35 9390	*
2.0 kΩ	HJ35 6200	HF85 6200	4.7 MΩ	HJ35 9470	HF85 9470
2.2 kΩ	HF45 6220	HF45 6220			
2.4 kΩ	HJ35 6240	HF85 6240			
2.7 kΩ	HF45 6270	HF45 6270			
3.0 kΩ	HF45 6300	HF45 6300			
3.3 kΩ	HF45 6330	HF45 6330			
3.6 kΩ	HJ35 6360	HF85 6360			
3.9 kΩ	HF45 6390	HF45 6390			
4.7 kΩ	HF45 6470	HF45 6470			
5.1 kΩ	HF45 6510	HF45 6510			
5.6 kΩ	HF45 6560	HF45 6560			
6.8 kΩ	HF45 6680	HF45 6680			
8.2 kΩ	HF45 6820	HF45 6820			
9.1 kΩ	HF45 6910	HF45 6910			
10 kΩ	HF45 7100	HF45 7100			



* : Not available

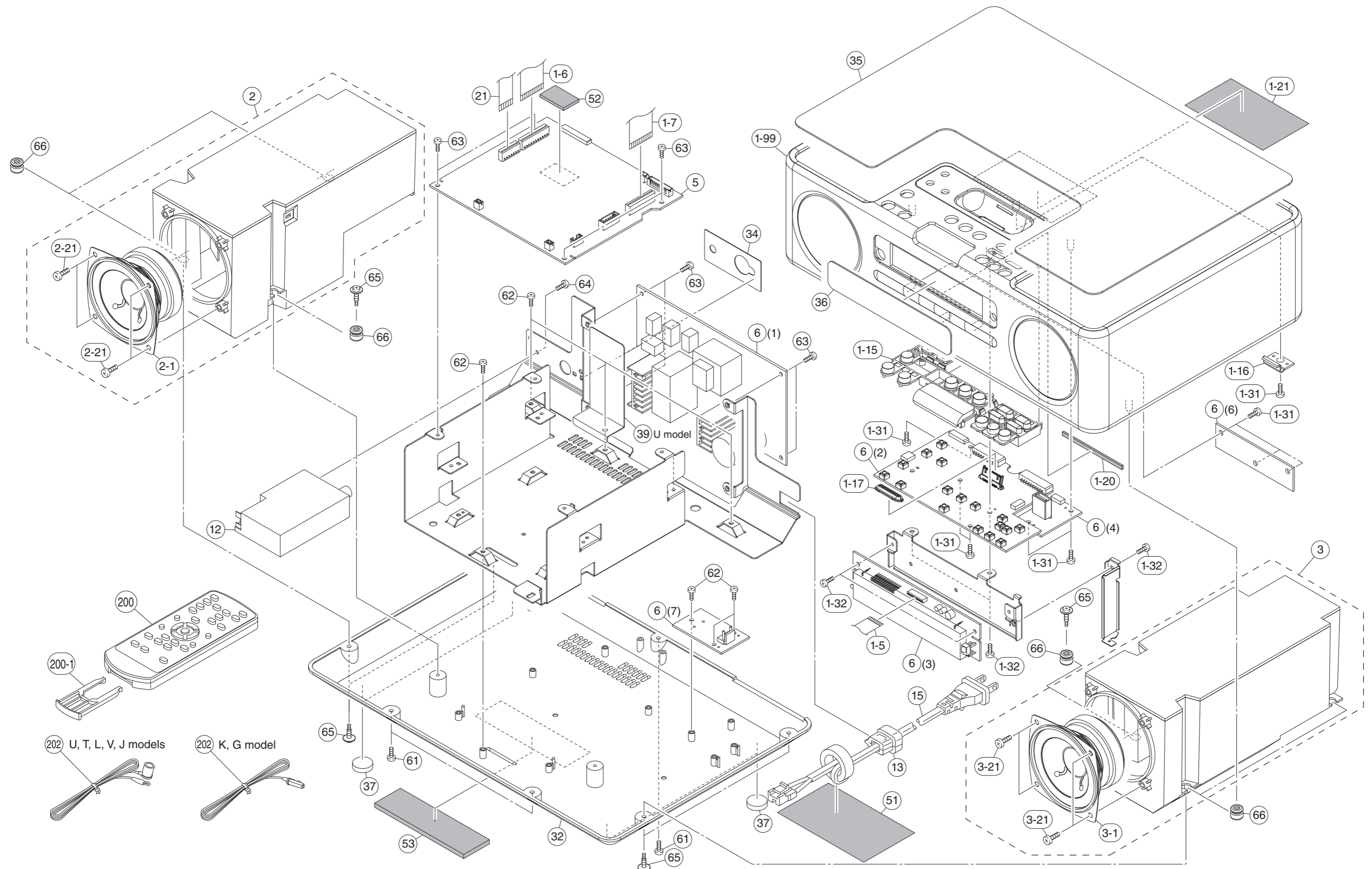
Ref No.	Part No.	Description	Remarks	Markets	部 品 名	ランク
1-5	MFA15200	FLEXIBLE FLAT CABLE	15P 200mm P=1.0		カード電線	06
1-6	MF121200	FLEXIBLE FLAT CABLE	21P 200mm P=1.25		カード電線	
1-7	MF120200	FLEXIBLE FLAT CABLE	20P 200mm P=1.25		カード電線	03
* 1-15	WP462700	BUTTON	20P	WH	ボタン	
* 1-15	WP462800	BUTTON	20P	BL	ボタン	
* 1-16	WP463800	SPRING IPOD		WH	スプリングIPOD	
* 1-16	WP884500	SPRING IPOD		BL	スプリングIPOD	
* 1-17	WP232600	SUPPORT CONNECTOR			サポートCONNECT	
* 1-20	WR122900	DAMPER	3x60		ダンパー	
* 1-21	WQ825100	PACKING	100x50		パッキング	
1-31	WF266600	BIND HEAD P-TIGHT SCREW	3x8 MFZN2B3		バインドPタイトネジ	01
1-32	WE774300	BIND HEAD B-TIGHT SCREW	3x8 MFZN2W3		バインドBタイトネジ	01
* 1-99	WR197900	TOP PANEL SUB ASS'Y		WH	トップパネルサブASSY	
* 1-99	WR198000	TOP PANEL SUB ASS'Y		BL	トップパネルサブASSY	
* 2	WQ411800	SPEAKER BOX L ASS'Y			SPボックスL ASSY	
* 2-1	YA231A00	DRIVER FULL-RANGE	7.7cm 6Ω		スピーカーユニット	
2-21	WK912600	BIND HEAD P-TIGHT SCREW	4x20 MFZN2B3		バインドPタイトネジ	01
* 3	WQ411900	SPEAKER BOX R ASS'Y			SPボックスR ASSY	
* 3-1	YA231A00	DRIVER FULL-RANGE	7.7cm 6Ω		スピーカーユニット	
3-21	WK912600	BIND HEAD P-TIGHT SCREW	4x20 MFZN2B3		バインドPタイトネジ	01
* 5	WQ419700	P. C. B. ASS'Y	MAIN	J	PCB MAIN	
* 5	WQ419800	P. C. B. ASS'Y	MAIN	U	PCB MAIN	
* 5	WQ419900	P. C. B. ASS'Y	MAIN	TKLV	PCB MAIN	
* 5	WQ420000	P. C. B. ASS'Y	MAIN	G	PCB MAIN	
* 6	WQ421200	P. C. B. ASS'Y	POWER	J	PCB POWER	
* 6	WQ421300	P. C. B. ASS'Y	POWER	U	PCB POWER	
* 6	WQ421400	P. C. B. ASS'Y	POWER	TKGL	PCB POWER	
* 6	WQ421500	P. C. B. ASS'Y	POWER	V	PCB POWER	
* 7	WQ422800	P. C. B. ASS'Y	CD		PCB CD	
* 11	WQ467000	LOADER MECHAMISM UNIT		8829C+313AAM	ローダーメカユニット	
12	WJ558900	FM TUNER	FAE381-J08N	J	FMチューナー	
12	WJ559000	FM TUNER	FAE381-A08N	UTLV	FMチューナー	
12	WJ559100	FM TUNER	FAE481-E08N	KG	FMチューナー	
13	V2438700	CORD STOPPER	10P1		コードストッパー	02
△ 15	WM857700	POWER CABLE	1.8m	J	電源コード	
△ 15	WB120500	POWER CABLE	2m	U	電源コード	
△ 15	WB120600	POWER CABLE	2m	T	電源コード	
△ 15	WC753000	POWER CABLE	2m	K	電源コード	
△ 15	WB212300	POWER CABLE	2m	GL	電源コード	
△ 15	WC992700	POWER CABLE	2m	V	電源コード	
21	MF113250	FLEXIBLE FLAT CABLE	13P 250mm P=1.25		カード電線	03
22	MFA29100	FLEXIBLE FLAT CABLE	29P 100mm P=1.0		カード電線	02
24	WK899500	FLEXIBLE FLAT CABLE	24P 240mm P=0.5		カード電線	01
* 32	WP462600	BOTTOM COVER			ボトムカバー	
* 33	WP464000	LID CD		WH	リッドCD	
* 33	WP464100	LID CD		BL	リッドCD	
* 34	WR192800	SHEET REAR		WH	リアシート	
* 34	WR192900	SHEET REAR		BL	リアシート	
* 35	WP464400	SHEET		WH	シート トップ	
* 35	WP464500	SHEET		BL	シート トップ	
* 36	WP464600	SHEET WINDOW			シート ウィンドウ	
* 37	WP464700	CUSHION LEG			クッション レッグ	
* 38	WQ248200	SPACER	30x10		スペーサー	

* New Parts *新規部品

Ref No.	Part No.	Description	Remarks	Markets	部 品 名	ランク
* 39	WR470600	BARRIER FFC		U	バリアFFC	
* 51	WQ825100	PACKING	100x50		パッキング	
52	WE812900	DAMPER	18X12 t=2		ダンパー	01
* 53	WR122800	DAMPER	99x29		ダンパー	
* 54	YA705A00	LOADER BOARD	124x21		ローダーボード	
61	WF268000	BIND HEAD P-TIGHT SCREW	3x10 MFZN2B3		バインドPタイトネジ	01
62	WF266600	BIND HEAD P-TIGHT SCREW	3x8 MFZN2B3		バインドPタイトネジ	01
63	WE774300	BIND HEAD B-TIGHT SCREW	3x8 MFZN2W3		バインドBタイトネジ	01
64	WE774100	BIND HEAD BONDING B-T. SCREW	3x8 MFZN2B3		ボンディングBタイトネジ	01
* 65	WR158000	SHOULDER SCREW	3x18 MFZN2B3		段付きネジ	
* 66	WR153000	DAMPER MAIN			ダンパーMAIN	
* 67	WR513400	SCREW LOADER			ローダー用ネジ	
* 68	WR157800	SPACER	3x4x10 MFZN2B		スペーサー	
		ACCESSORIES			付属品	
* 200	WQ455700	REMOTE CONTROL		RRS4004-1516E J	リモコン	
* 200	WQ455100	REMOTE CONTROL		RRS4004-1513E UTKGLV	リモコン	
200-1	AAX89770	BATTERY HOLDER	Black	103RRS-162-01E	電池蓋	
202	V6267000	INDOOR FM ANTENNA	1.4m 1pc	JUTLV	FM簡易アンテナ	03
202	VQ147100	INDOOR FM ANTENNA	1.4m 1pc	KG	FM簡易アンテナ	02
		LITHIUM BATTERY	CR2025 1pc		リチウム電池	
		SERVICE TOOLS			サービス用部品	
	WR492800	RS232C CONVERSION ADAPTOR	3.3V TYPE WITH CABLE 9P		RS232C変換アダプター	
	MF120350	FLEXIBLE FLAT CABLE	20P 350mm P=1.25		カード電線	
	MF121350	FLEXIBLE FLAT CABLE	21P 350mm P=1.25		カード電線	

* New Parts *新規部品

• OVERALL ASS'Y



Ref No.	Part No.	Description	Remarks	Markets	部 品 名	ランク
1-5	MFA15200	FLEXIBLE FLAT CABLE	15P 200mm P=1.0		カード電線	06
1-6	MF121200	FLEXIBLE FLAT CABLE	21P 200mm P=1.25		カード電線	
1-7	MF120200	FLEXIBLE FLAT CABLE	20P 200mm P=1.25		カード電線	03
* 1-15	WP884300	BUTTON	20P	WH	ボタン	
* 1-15	WP884400	BUTTON	20P	BL	ボタン	
* 1-16	WP463800	SPRING IPOD		WH	スプリングIPOD	
* 1-16	WP884500	SPRING IPOD		BL	スプリングIPOD	
* 1-17	WP232600	SUPPORT CONNECTOR			サポートCONNECT	
* 1-20	WR122900	DAMPER	3x60		ダンパー	
* 1-21	WQ825100	PACKING	100x50		パッキング	
1-31	WF266600	BIND HEAD P-TIGHT SCREW	3x8 MFZN2B3		バインドPタイトネジ	01
1-32	WE774300	BIND HEAD B-TIGHT SCREW	3x8 MFZN2W3		バインドBタイトネジ	01
* 1-99	WR198100	TOP PANEL SUB ASS'Y		WH	トップパネルサブASSY	
* 1-99	WR198200	TOP PANEL SUB ASS'Y		BL	トップパネルサブASSY	
* 2	WQ411800	SPEAKER BOX L ASS'Y			SPボックスL ASSY	
* 2-1	YA231A00	DRIVER FULL-RANGE	7.7cm 6Ω		スピーカーユニット	
* 2-21	WK912600	BIND HEAD P-TIGHT SCREW	4x20 MFZN2B3		バインドPタイトネジ	01
* 3	WQ411900	SPEAKER BOX R ASS'Y			SPボックスR ASSY	
* 3-1	YA231A00	DRIVER FULL-RANGE	7.7cm 6Ω		スピーカーユニット	
* 3-21	WK912600	BIND HEAD P-TIGHT SCREW	4x20 MFZN2B3		バインドPタイトネジ	01
* 5	WQ420100	P. C. B. ASS'Y	MAIN	J	PCB MAIN	
* 5	WQ420200	P. C. B. ASS'Y	MAIN	U	PCB MAIN	
* 5	WQ420300	P. C. B. ASS'Y	MAIN	TL	PCB MAIN	
* 5	WQ420400	P. C. B. ASS'Y	MAIN	G	PCB MAIN	
* 6	WQ421600	P. C. B. ASS'Y	POWER	WH	PCB POWER	
* 6	WQ421700	P. C. B. ASS'Y	POWER	WH	PCB POWER	
* 6	WQ421800	P. C. B. ASS'Y	POWER	WH	PCB POWER	
* 6	WQ421900	P. C. B. ASS'Y	POWER	BL	PCB POWER	
* 6	WQ422000	P. C. B. ASS'Y	POWER	BL	PCB POWER	
* 6	WQ422100	P. C. B. ASS'Y	POWER	BL	PCB POWER	
12	WJ558900	FM TUNER	FAE381-J08N	J	FMチューナー	
12	WJ559000	FM TUNER	FAE381-A08N	UTL	FMチューナー	
12	WJ559100	FM TUNER	FAE481-E08N	G	FMチューナー	
13	V2438700	CORD STOPPER	10P1		コードストッパー	02
△ 15	WM857700	POWER CABLE	1.8m	J	電源コード	
△ 15	WB120500	POWER CABLE	2m	U	電源コード	
△ 15	WB120600	POWER CABLE	2m	T	電源コード	
△ 15	WB212300	POWER CABLE	2m	GL	電源コード	
21	MF113250	FLEXIBLE FLAT CABLE	13P 250mm P=1.25		カード電線	03
* 32	WP462600	BOTTOM COVER			ボトムカバー	
* 34	WR192800	SHEET REAR		WH	リアシート	
* 34	WR192900	SHEET REAR		BL	リアシート	
* 35	WP464400	SHEET		WH	シート トップ	
* 35	WP464500	SHEET		BL	シート トップ	
* 36	WP464600	SHEET WINDOW			シート ウィンドウ	
* 37	WP464700	CUSHION LEG			クッション レッグ	
* 39	WR470600	BARRIER FFC		U	バリアFFC	
* 51	WQ825100	PACKING	100x50		パッキング	
* 52	WE812900	DAMPER	18X12 t=2		ダンパー	01
* 53	WR122800	DAMPER	99x29		ダンパー	
61	WF268000	BIND HEAD P-TIGHT SCREW	3x10 MFZN2B3		バインドPタイトネジ	01
62	WF266600	BIND HEAD P-TIGHT SCREW	3x8 MFZN2B3		バインドPタイトネジ	01
63	WE774300	BIND HEAD B-TIGHT SCREW	3x8 MFZN2W3		バインドBタイトネジ	01

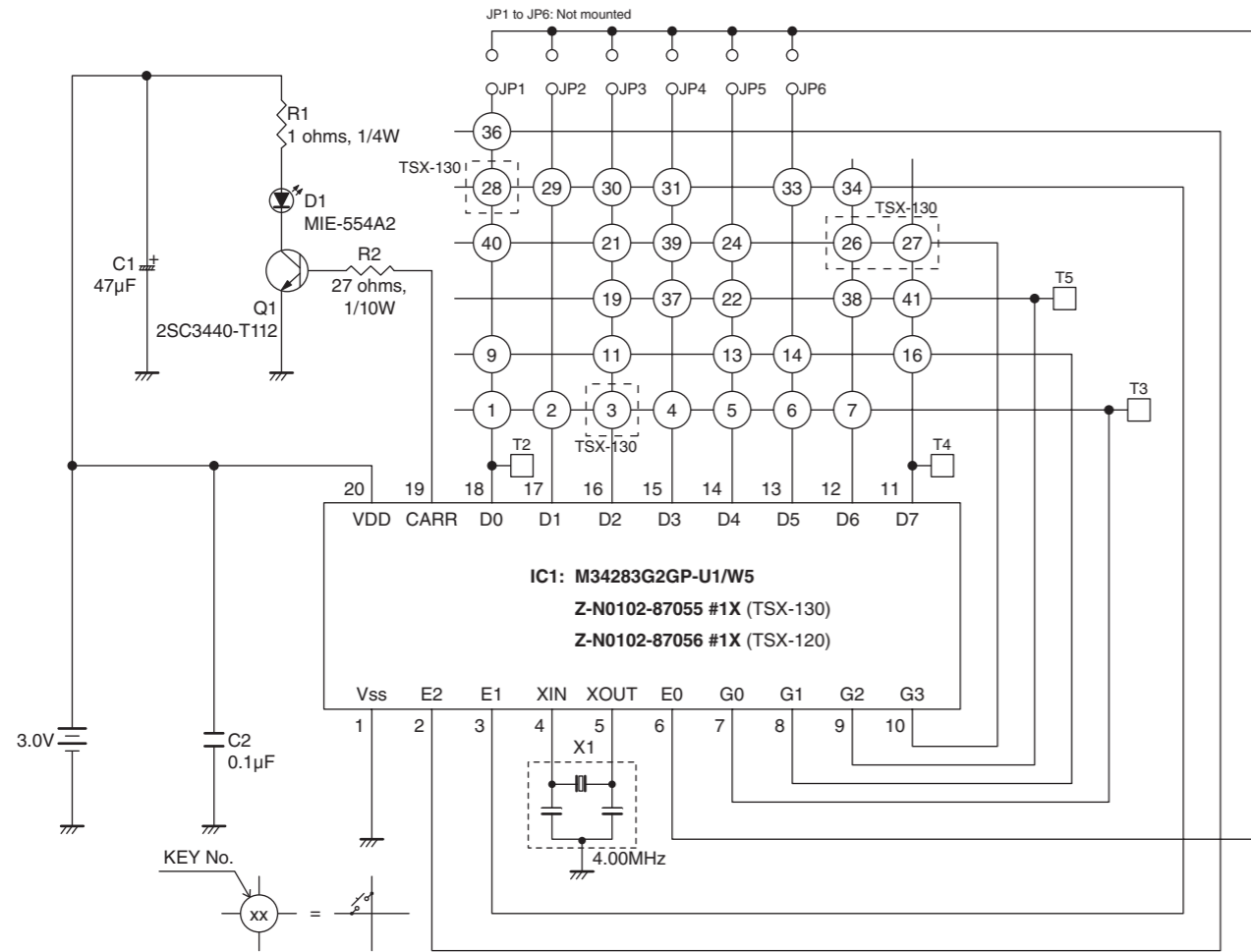
* New Parts * 新規部品

Ref No.	Part No.	Description	Remarks	Markets	部 品 名	ランク
64	WE774100	BIND HEAD BONDING B-T. SCREW	3x8 MFZN2B3		ボンディングBタイトネジ	01
* 65	WR158000	SHOULDER SCREW	3x18 MFZN2B3		段付きネジ	
* 66	WR153000	DAMPER MAIN			ダンパーMAIN	
* 68	WR157800	SPACER	3x4x10 MFZN2B		スペーサ	
		ACCESSORIES			付属品	
* 200	WQ455600	REMOTE CONTROL	RRS4004-1517E	J	リモコン	
* 200	WQ455200	REMOTE CONTROL	RRS4004-1514E	UTGL	リモコン	
200-1	AAX89770	BATTERY HOLDER	Black	103RRS-162-01E	電池蓋	
202	V6267000	INDOOR FM ANTENNA	1.4m 1pc	JUTL	FM簡易アンテナ	03
202	VQ147100	INDOOR FM ANTENNA	1.4m 1pc	G	FM簡易アンテナ	02
		LITHIUM BATTERY	CR2025 1pc		リチウム電池	

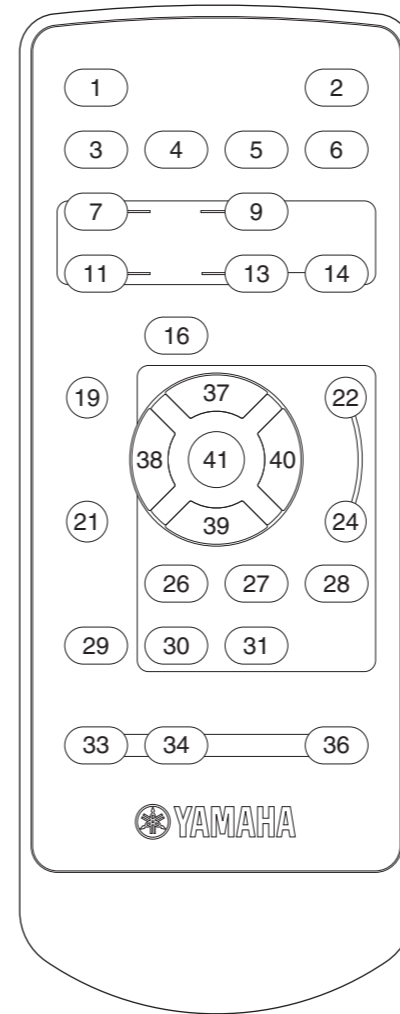
* New Parts * 新規部品

REMOTE CONTROL

SCHEMATIC DIAGRAM



KEY LAYOUT

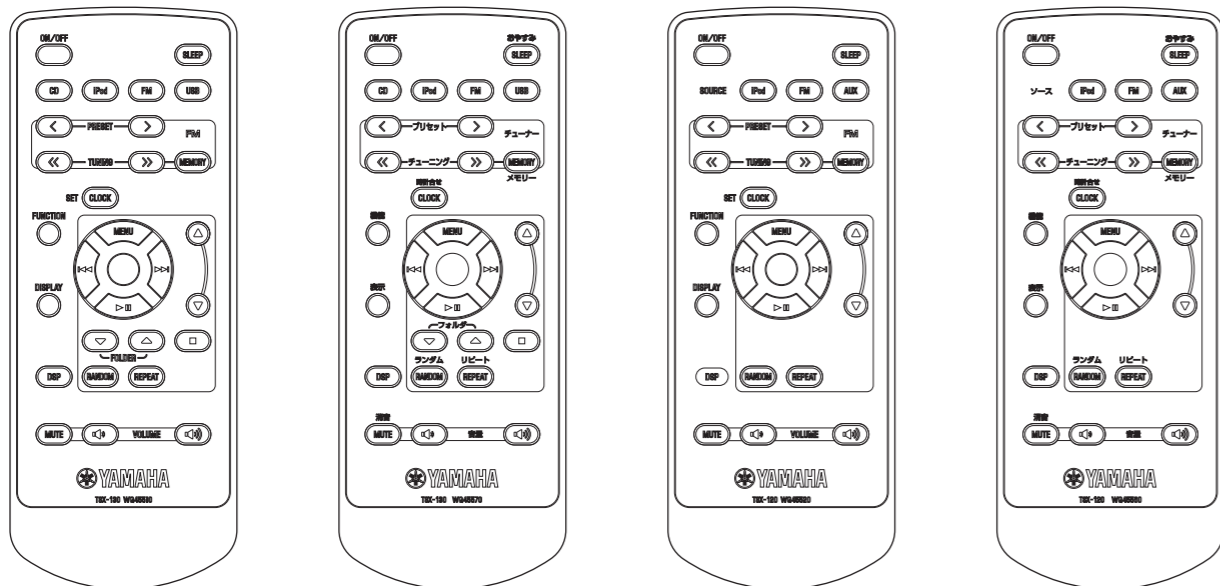


KEY CODE

Key No.	Key Name		Custom code	Data code
	U, T, K, G, L, V models	J model		
1	ON/OFF	ON/OFF	78	0F
2	SLEEP	おやすみ / SLEEP	78	4F
3	CD (TSX-130)	CD (TSX-130)	78	4A
4	iPod	iPod	78	D0
5	FM	FM	78	4B
6	USB (TSX-130)	USB (TSX-130)	78	BC
	AUX (TSX-120)	AUX (TSX-120)	78	49
7	PRESET <	プリセット <	78	1C
9	PRESET >	プリセット >	78	1B
11	TUNING <<	チューニング <<	78	A9
13	TUNING >>	チューニング >>	78	AA
14	MEMORY	メモリー / MEMORY	78	B2
16	SET / CLOCK	時計合せ / CLOCK	78	A1
19	FUNCTION	機能	78	9D
21	DISPLAY	表示	78	0A
22	▲	▲	78	8E
24	▼	▼	78	8F
26	FOLDER ▲ (TSX-130)	フォルダ ▲ (TSX-130)	78	28
27	FOLDER ▼ (TSX-130)	フォルダ ▼ (TSX-130)	78	27
28	■ (stop) (TSX-130)	■ (ストップ) (TSX-130)	78	01
29	DSP	DSP	78	51
30	RANDOM	ランダム / RANDOM	78	07
31	REPEAT	リピート / REPEAT	78	0C
33	MUTE	消音 / MUTE	78	9C
34	VOLUME ◀ (-)	音量 ◀ (-)	78	1F
36	VOLUME ▶ (+)	音量 ▶ (+)	78	1E
37	MENU	MENU	78	9F
38	◀◀ (PREV)	◀◀ (PREV)	78	04
39	▶▶ (PLAY/PAUSE)	▶▶ (PLAY / PAUSE)	78	02
40	▶▶ (NEXT)	▶▶ (NEXT)	78	03
41	(CENTER)	(CENTER)	78	C1

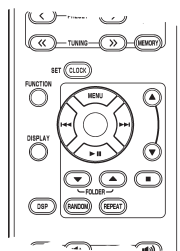
PANELS

TSX-130 (U, T, K, G, L, V models)
 TSX-130 (J model)
 TSX-120 (U, T, G, L models)
 TSX-120 (J model)



■ ADJUSTING THE CLOCK / 時計を合わせる

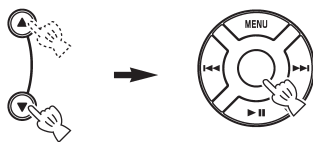
The clock is not set at the factory.



1 Press CLOCK SET.



2 Select each setting with MENU ▲/▼ and confirm with Center.

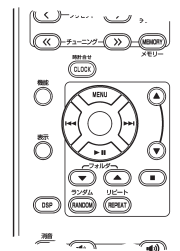


You can set YEAR → MONTH → DAY → TIME.

Notes

- This operation can be performed only with the remote control.
- Time appears in 12-hour notation (AM/PM), depending on the model. For example, "4:00PM".
- You can switch 12-hour/24-hour notation by pressing **FUNCTION** → **MENU ▲/▼** → **Center** to select TIME FORMAT, then pressing **MENU ▲/▼** → **Center** to select 12H/24H.
- The time settings are lost after one week when the power cable is disconnected from the wall outlet.

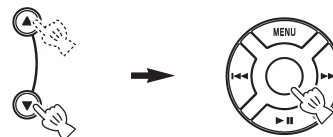
初期状態では時計は設定されていません。



1 時計合わせボタンを押す。



2 ^{メニュー}MENU ▲/▼ ボタンで各数値を設定し、センターボタンで確定する。



年→月→日→時刻の順で設定します。

ご注意

- この機能は、リモコンからのみ設定できます。
- 初期状態では時刻は 12 時間制 (AM/PM) で表示されます。
- 以下の操作で時刻の表示方法 (12 時間制 /24 時間制) を切り替えることができます。

機能ボタン → ^{メニュー}MENU ▲/▼ ボタンで ^{タイム フォーマット}TIME FORMAT を選択 → センターボタンで確定 → 12H もしくは 24H を選択し確定します。

- 電源コードをコンセントから抜くなどして、電力が 1 週間以上供給されないと時計の設定はリセットされます。

TSX-130/TSX-120

